



Catalog Number	
Notes	Type

FEATURES

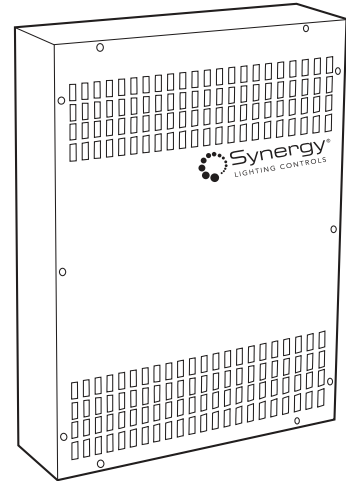
The dimmer pack contains the dimmers, relays and electronics necessary. Dimmer packs may be used in conjunction with Sequel IDC integrated dimming control stations, or Synergy lighting control systems equipped with a legacy dimmer card for distributed dimming and feed-through applications.

- Compact design
- Surface or recess mounting
- Compatible with most lamp types
- Up to four dimmers per pack
- Natural convection cooling
- Excellent noise filtration
- Field channel configuration
- Selectable dimmer curves
- Thermal protection
- UL and CUL listed for U.S.A. and Canada
- Made in the U.S.A.

Modular Dimming Systems

SQMPDC

Dimmer Pack



SEQUEL®

MiniPac

ORDERING INFORMATION

Choose the boldface catalog nomenclature that best suits your needs and write it on the appropriate line. Order accessories as separate catalog number.

Example: **SQMPDC 4UX2 S2 120**

SQMPDC

Series	Dimmer configuration			Pack type	Voltage	Options
SQMPDC	<i># OF DIMMERS</i>	<i>DIMMER TYPE</i>	<i>WATTAGE CAPACITY²</i>	S2 Secondary pack	120 120V 277 277V	EM Emergency pack. All dimmers are automatically set to full power upon loss of normal power. Type UX cabinet only. Transfer of emergency main feed by others.
	2 2 dimmers	UX Two Wire Loads ¹	2 2000W, 120V			
	4 4 dimmers	UF Two Wire, Three Wire, & Four Wire Loads ¹	4 4000W, 277V			

NOTES:

1 Two Wire - Incandescent, Low Voltage, Neon, Cold Cathode, & Non-dim; Three Wire - Lutron Eco-10 (ECO) & Lutron Hi-Lume; Four Wire - Advanced Mark VII, Lutron Eco-10 (TVE), Sylvania Helios, & Universal SuperDim, Universal Ballastar.

2 Capacity listed is per dimmer. Maximum of four dimmers per pack.

SQMPDC Dimmer Pack, Sequel MiniPac

SPECIFICATIONS

CONSTRUCTION

- NEMA 1 enclosure. Black enamel finish. Surface or optional recess mount.

PERFORMANCE

- Ambient temperature: 0° – 40°C, 32° – 104°F. Natural convection cooling. Integral thermal cutout.
- Full-range dimming of incandescent, halogen and low voltage lamps. Dimming range of other lamp types depends on ballast and installation variables.
- Compatible with Lutron Hi-lume® FDB and Eco-10™ series fluorescent ballasts.
- Noise filtration, 450 µsec rise time (incandescent)².
- Backup: 48-hour battery for presets and current state.

ELECTRICAL

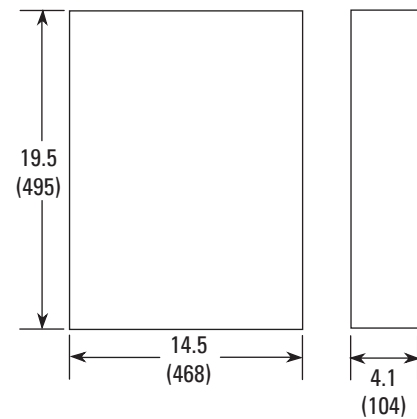
- All input circuits must be on the same phase.
- Up to four 20-amp input circuits per pack.
- Input and output terminals accept No. 14 AWG minimum through No. 8 AWG maximum.

WARRANTY

- One year against defects in manufacture.

DIMENSIONS

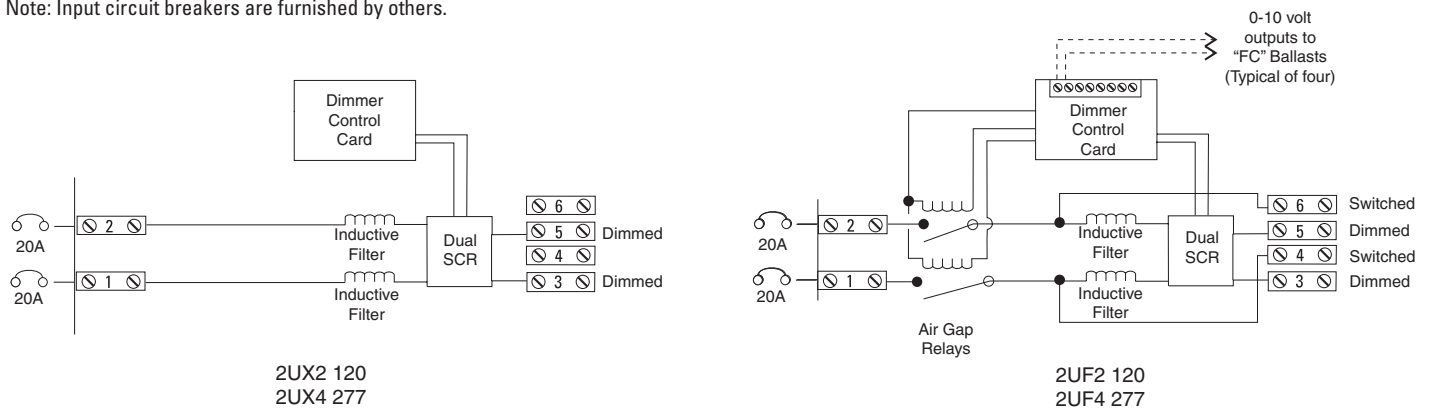
All dimensions are in inches (millimeters).



Note: Add 1.5" (3.8cm) to height and width of cover for recessed option.

WIRING DIAGRAMS

Note: Input circuit breakers are furnished by others.



2UX2 120
2UX4 277

2UF2 120
2UF4 277

Dimmer Type	Function	Dimmer Capacity	Sources Controlled ¹	Thermal Cutout	Filter Specification ²	Output Load Terminals
UX2 120	Dim (no relays)	2KW ea	INC,LV,N,CC	Y	450 µsec	1 per dimmer
UF2 120	Dim or switch	2KW ea	INC,LV,N,CC,F,FC,ND ³	Y	450 µsec	2 per dimmer ⁴
UX4 277	Dim (no relays)	4KW ea	INC,LV,N,CC	Y	450 µsec	1 per dimmer
UF4 277	Dim or switch	4KW ea	INC,LV,N,CC,F,FC,ND ³	Y	450 µsec	2 per dimmer ⁴

NOTES:

1 Two Wire - Incandescent, Low Voltage Magnetic and Electronic Transformers*, Neon*, Cold Cathode*, and Non-dim; Three Wire - Lutron Eco-10 (ECO-10) & Lutron Hi-Lume; Four Wire - Advanced Mark VII, Lutron Eco-10 (TVE), Sylvania Helios, & Magnetek Ballastar.

2 Filter specification identifies current rise time in microseconds during switching of incandescent load at 90° conduction angle from 10% to 90% rise at 50% dimmer loading.

3 Each relay rated to switch 20 amp ballast, 1HP motor loads, 15 amp tungsten or 12 amp electronic ballast load.

* Magnetic transformers must be normal power factor. Electronic transformers must be dimmable and compatible with forward phase-cut dimmers with series inductive filtering.



An Acuity Brands Company

Sheet #: SQMPDC

©1994 Acuity Brands Lighting Group, Inc., Rev. 6/12

Synergy Lighting Controls
One Lithonia Way, Conyers, GA 30012
Phone: 800-533-2719
www.synergylightingcontrols.com