

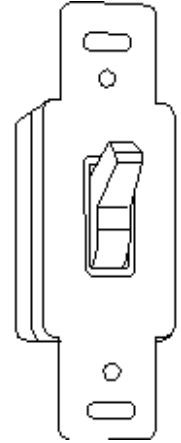


Catalog Number	
Notes	Type

Lighting Control System

SweepSwitch®

SSPL



FEATURES

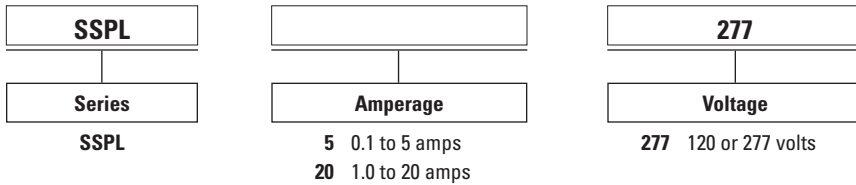
The SweepSwitch® provides individual local line voltage override control of lighting in time-based control schemes. The SweepSwitch® can be used to manually turn lighting *on* and *off* in the normal manner. It will reset itself automatically to the *off* position in response to a programmed power interruption signal provided by the lighting control panel. When used in conjunction with Synergy switching system, the SweepSwitch® provides the most economical and practical solution for individual area overrides without requiring separate line voltage home run wire runs or low voltage wiring.

- Familiar wall switch operation
- No special wiring required
- Uses standard wallplates
- Lighted switch handle
- Dual-voltage operation (120/277V)
- UL listed

ORDERING INFORMATION

Choose the boldface catalog nomenclature that best suits your needs and write it on the appropriate line. Order accessories as separate catalog number.

Example: **SSPL 5 277**



SweepSwitch® Local Override Switch

SPECIFICATIONS

MECHANICAL

- Strap-mount device mounts in single or multi-gang wallbox.
- Integral "locator" light illuminates when unit is switched *off*.
- Uses standard toggle opening wallplates, not included with unit.

ELECTRICAL

- Dual voltage (120V or 277V).
- Two-wire connection, not line/load sensitive.
- Single-pole, single-throw operation.
- No neutral required.

RATINGS

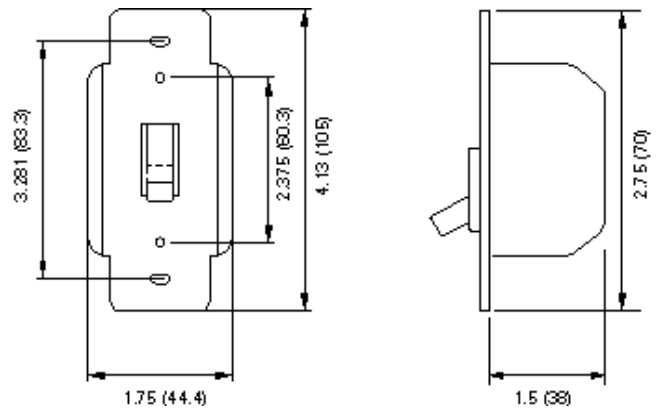
- SSPL 5 277 – Minimum load .1 amp; maximum load 5 amps continuous.
- SSPL 20 277 – Minimum load 1 amp; maximum load 16 amps continuous.

OPERATION

- Standard wall switch *on/off* operation.
- Mechanically resets to *off* automatically when input power to the unit is removed for five seconds or longer.

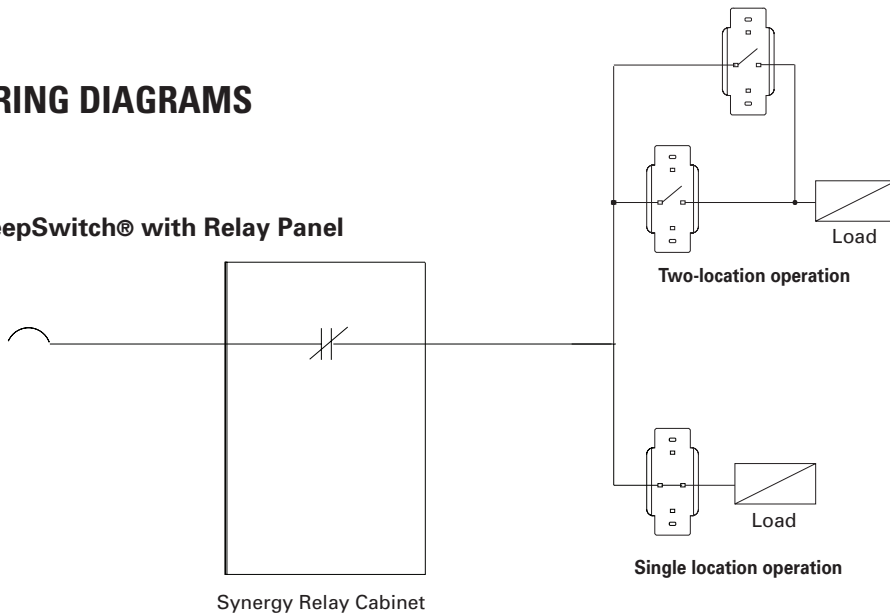
DIMENSIONS

All dimensions are inches (millimeters).



WIRING DIAGRAMS

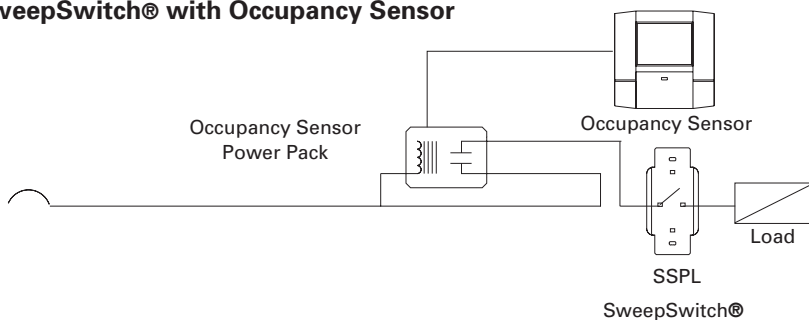
SweepSwitch® with Relay Panel



Two SweepSwitches® can be connected to replace three-way switches. Allows either location to turn the lights on. Both locations must be off for the load to turn off. Synergy Controls recommends the use of low-voltage switches for true three-way operation.

Use with Synergy switching system to provide individual local override for multiple rooms or areas that are controlled by a single relay.

SweepSwitch® with Occupancy Sensor



Use with Occupancy Sensors to provide "manual ON/Automatic OFF" operation.