

Catalog Number	
Notes	Type

## FEATURES

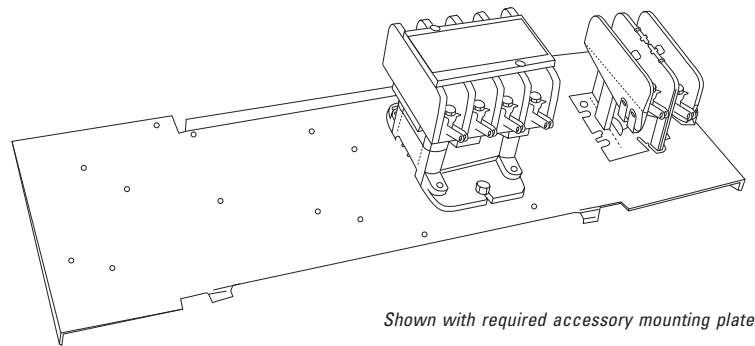
Synergy™ two, three and four-pole lighting contactors install in a Synergy enclosure via the SYPM PLATE accessory mounting plate and provide integral control of multi-phase lighting loads.

- Suitable for 120/208, 120/240 or 277/480 branch circuit control
- Field replaceable
- 25 Amp contact rating (2POLE version)
- 60 Amp contact rating (3POLE version)
- 30 Amp contact rating (4POLE version)
- Up to 4 contactors per SYPM plate
- Coils controlled by relays on SYPM 8R, SYPM 8F or SYPM 8H

Lighting Control System

# SYA 2POLE SYA 3POLE SYA 4POLE

Multi-Pole Contactor Module



## ORDERING INFORMATION

Example: **SYA 4POLE 120**

Choose the boldface catalog nomenclature that best suits your needs and write it on the appropriate line. Order accessories as separate catalog number.

SYA	
Series	Contacts
<b>SYA</b>	<b>2POLE</b> 2 poles, 25 Amp contacts
	<b>3POLE</b> 3 poles, 60 Amp contacts
	<b>4POLE</b> 4 poles, 30 Amp contacts

Coil voltage	
<b>120</b>	120 volts
<b>277</b>	277 volts

### Accessories

Order as separate catalog number.

**SYPM PLATE** Mounting plate for multi-pole contactors, four max. per plate 2, 3 or 4POLE.

\*SYPM 8R, SYPM 8H or SYPM 8F module required for operation of coils.

# SYA Multi-pole Contactor Module

## SPECIFICATIONS

### CONSTRUCTION

- Contactors field-mount to SYPM PLATE accessory mounting plate
- Four contactors maximum per plate; two, three or four poles each (2-16 poles)

### OPERATION

- 2POLE: Two-phase, two-wire, 120/208, 120/240 or 277/480
- 3POLE: One three-phase, 120/208 or 277/480
- 4POLE: Two two-phase, two-wire, 120/208, 120/240, 277/480
- 4POLE: One three-phase, 120/208 or 277/480
- Control individually using one standard relay contact output per contactor
- Tandem control, 20 contactors maximum per standard relay contact output

### ELECTRICAL

- 2POLE: 600 VAC maximum operation, 25 Amps per pole, 50/60 Hz
- 3POLE: 600 VAC maximum operation, 60 Amps per pole, 50/60 Hz
- 4POLE: 600 VAC maximum operation, 30 Amps per pole, 50/60 Hz
- Maximum wire size per contact
  - 2 Pole, 4 Pole #8 AWG
  - 3 Pole #2 AWG

### CERTIFICATION

- UL recognized components, CSA certified.

### WARRANTY

- One year

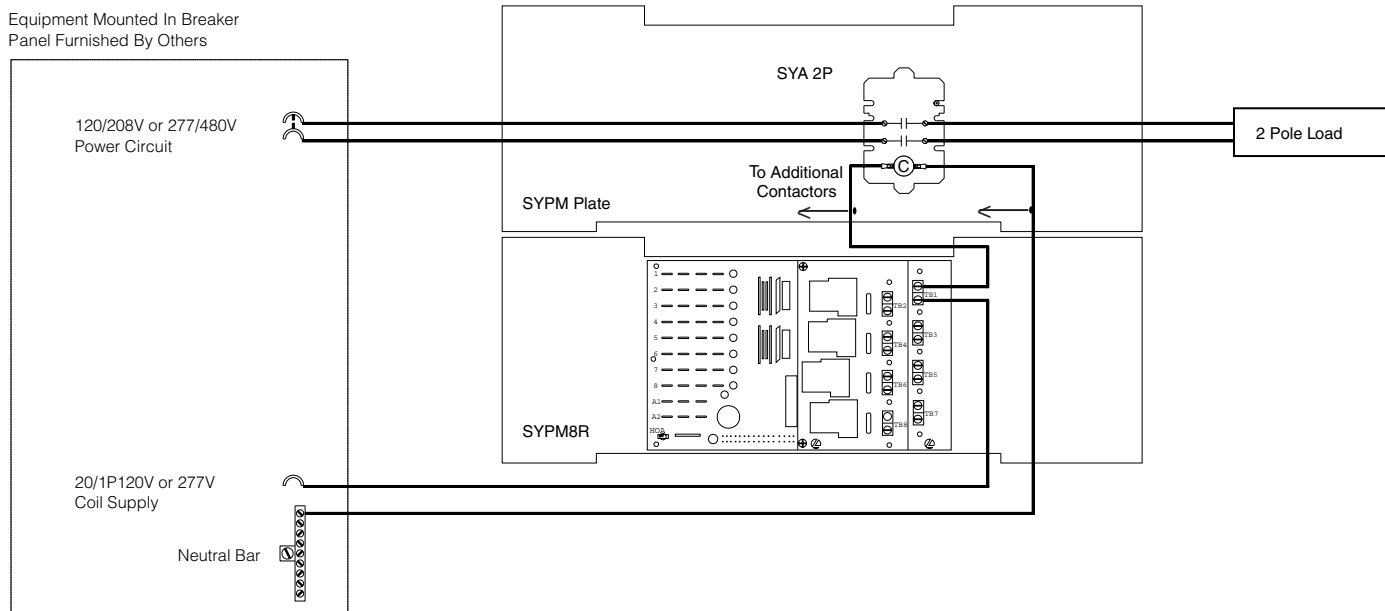
## DIMENSIONS

All dimensions are inches (millimeters) or pounds (kilograms).

Catalog Number	Dimensions	Shipping Weight
2POLE	1.5" x 3.75" x 3.25" (38) (95) (83)	1 lb. (0.454)
3POLE	3" x 3.75" x 3.25" (76) (95) (83)	2 lbs. (0.908)
4POLE	3" x 3.75" x 3.25" (76) (95) (83)	2 lbs. (0.908)

## FUNCTIONAL

Illustration below shows SYA 2POLE typical wiring.



An AcuityBrands Company