



Catalog Number	
Notes	Type

Synergy System Accessories

# SYA LCD SCREEN



## FEATURES

Use in conjunction with a Synergy system equipped with SYSC MLX controllers to provide system wide monitoring and control of lighting zones.

Features a full-color TFT touchscreen graphical user interface which may be configured with floorplan-based or button-based graphical screens. Flexible control options allow graphical objects to monitor and override any system input, output or load group as needed to satisfy project requirements. Screens may field or factory configured.

12.1" width screen standard. Others sizes available, consult factory for options.

### Mounting:

- Requires Synergy SYA LCD MOUNT enclosure. The SYA LCD MOUNT attaches to the wall structure from the finished wall side (no rear access required) and the SYA LCD SCREEN attaches to the SYA LCD MOUNT using the supplied clips.

## ORDERING INFORMATION

Example: SYA LCD SCREEN

Choose the boldface catalog nomenclature that best suits your needs and write it on the appropriate line. Order accessories as separate catalog number.

### SYA LCD SCREEN



**SYA LCD SCREEN**

### Accessories:

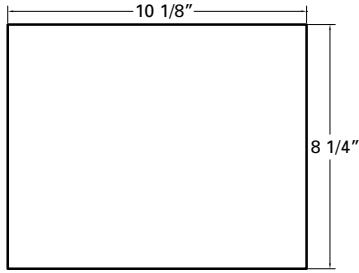
Order as separate catalog number.

<b>SYA LCD SCREEN MOUNT</b>	Mounting enclosure - Enclosure for mounting SYA LCD SCREEN to wall. Mounts from finished wall side, rear mounting not required.
<b>SYSW CONFIG</b>	Windows™ configuration software and cable
<b>SYSW GRAPHICS</b>	Floorplan and button-based graphical interface software.
<b>SYA ETHERNET 5 PORT SWITCH</b>	Ethernet 5 Port 10 Base-T switch.
<b>SYA NIC PCI</b>	Arcnet interface card.

# SYA LCD

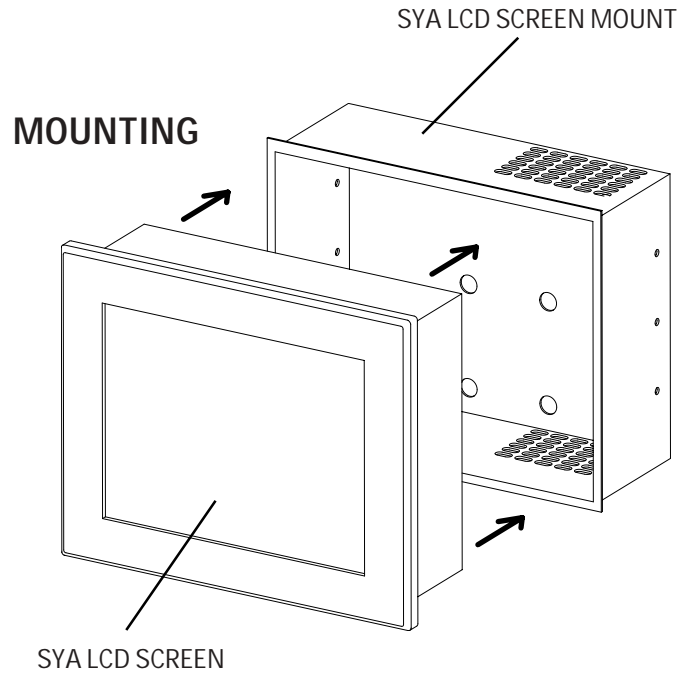
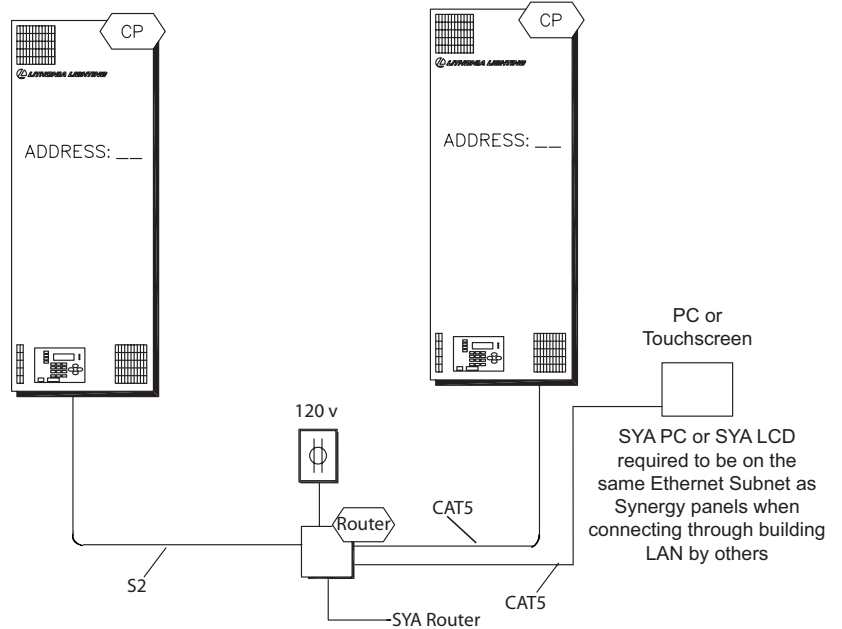
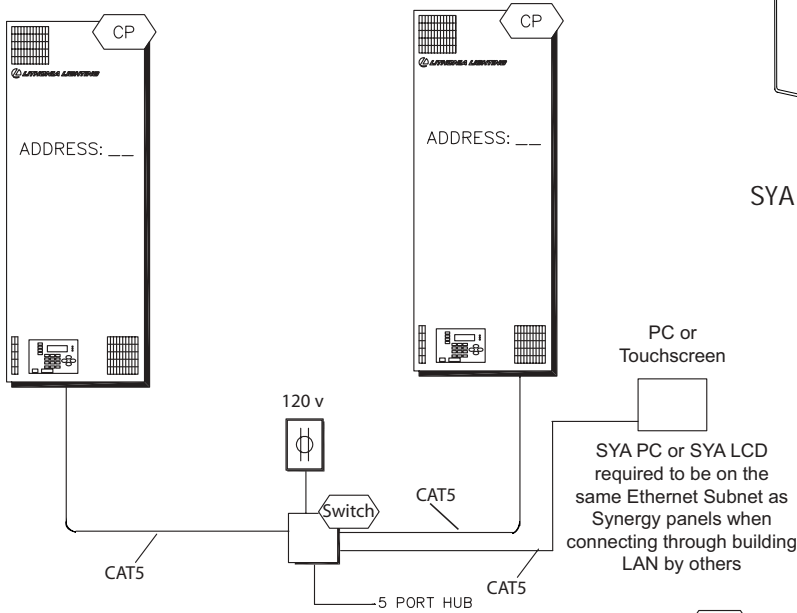
## DIMENSIONS

All dimensions are inches



Rough-in dimensions.

## TYPICAL WIRING DIAGRAMS



Must mount using accessory SYA LCD SCREEN MOUNT.