



Catalog Number	
Notes	Type

FEATURES

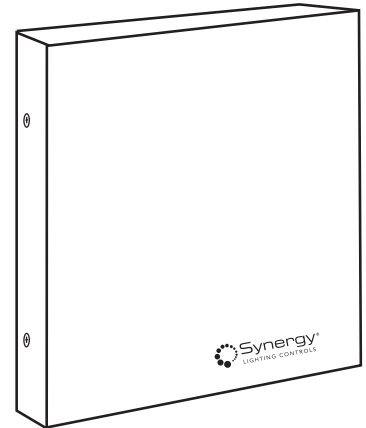
The SYA ROUTE is a high-performance, microprocessor-based network router designed to provide a simple, BACnet compatible bridge between the RS485 Synergy ARCNET buss and an Ethernet LAN.

- Native BACnet device
- Full 10 Base-T Ethernet compatibility
- Connects directly to Synergy ARCNET buss
- Supports up to 100 Synergy controllers
- Compact steel enclosure

Lighting Control System

SYA ROUTE

Ethernet Router



ORDERING INFORMATION

Choose the boldface catalog nomenclature that best suits your needs and write it on the appropriate line. Order accessories as separate catalog number.

Example: **SYA ROUTE**

SYA ROUTE	
Series	
SYA ROUTE	Network router

SYA ROUTE Ethernet Router

SPECIFICATIONS

CONSTRUCTION

- Two-piece steel enclosure, suitable for wall or chassis mounting.

ELECTRICAL

- Class two operation, 24 VAC, 50-60 Hz, 7.2 VA supplied by included cord-end power supply plug.
- Install on Synergy panel network between panels, not at the end of the panel network.

COMM PORTS

- RJ45 10Base-T Ethernet, BACnet 802.3 SAP port or AP 47806 UDP port.
- RS485 ARCNET, 156k baud, PC board mounted removable terminal block.

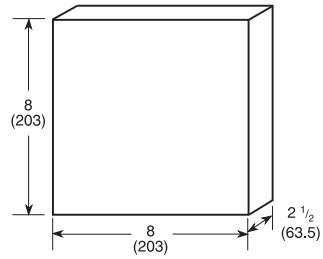
WARRANTY

- One year.

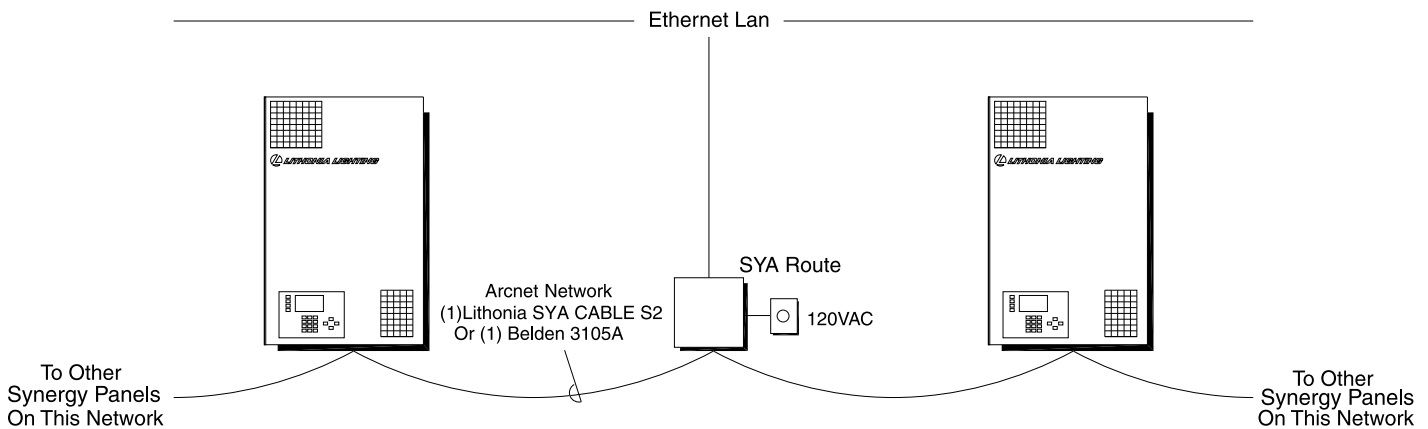
DIMENSIONS

All dimensions are inches (millimeters).

Shipping weight =



FUNCTIONAL



An Acuity Brands Company

Sheet #: SYA ROUTE

©2000 Acuity Brands Lighting, Inc., Rev. 10/19/07

Synergy Lighting Controls

1335 Industrial Blvd, Conyers, GA 30012

Phone: 800-533-2719

www.synergylightingcontrols.com