



Catalog Number	
Notes	Type

## FEATURES

The SYA SKIT DMX is used in a Synergy® enclosure in place of the system controller to provide for switching and dimming functions in response to a DMX control signal from a theatrical control console or show controller. This configuration provides for DMX only operation of loads. If Synergy programmable features are required, the appropriate SYSC system controller with the DMX option should be used.

- Plug-in chassis mounting
- Accepts one universe of DMX control
- Control up to six modules
- Simple channel addressing
- Controls relays and dimmers
- Includes 6' secondary connection cable

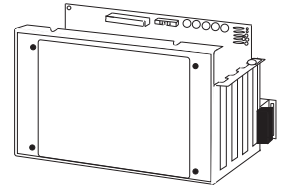
The SYA SKIT is used in a Synergy enclosure in place of the system controller to provide a blank filler when Synergy panels are linked in a master/secondary configuration.

- Plug-in chassis mounting
- Includes 6' secondary connection cable

Lighting Control System

DMX Control Option

# SYA SKIT



## ORDERING INFORMATION

Choose the boldface catalog nomenclature that best suits your needs and write it on the appropriate line. Order accessories as separate catalog number.

Example: **SYA SKIT DMX**

Series	Options
<b>SYA SKIT</b>	<b>DMX</b> DMX operation only for local relays and dimmers (blank) Secondary panel filler only, with 6' cable for connecting to master panel

# SYA DMX Control Option

## SPECIFICATIONS (for DMX model only)

### MECHANICAL

- Chassis: Plug-in assembly with locking screws, field installable in SXE enclosure.
- Operation and storage temperature: 32-104°F (0-40°C).
- Humidity: 10-90% non-condensing.

### ELECTRICAL

- Power input: 24VDC maximum operation, supplied by enclosure power supply.
- DMX input: Removable terminal block on side of chassis.

### CERTIFICATION

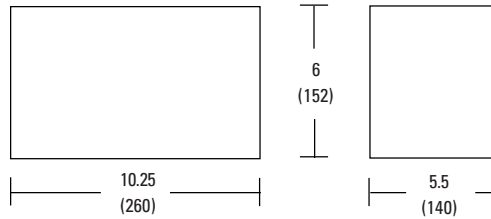
- UL, CSA

### FUNCTIONAL

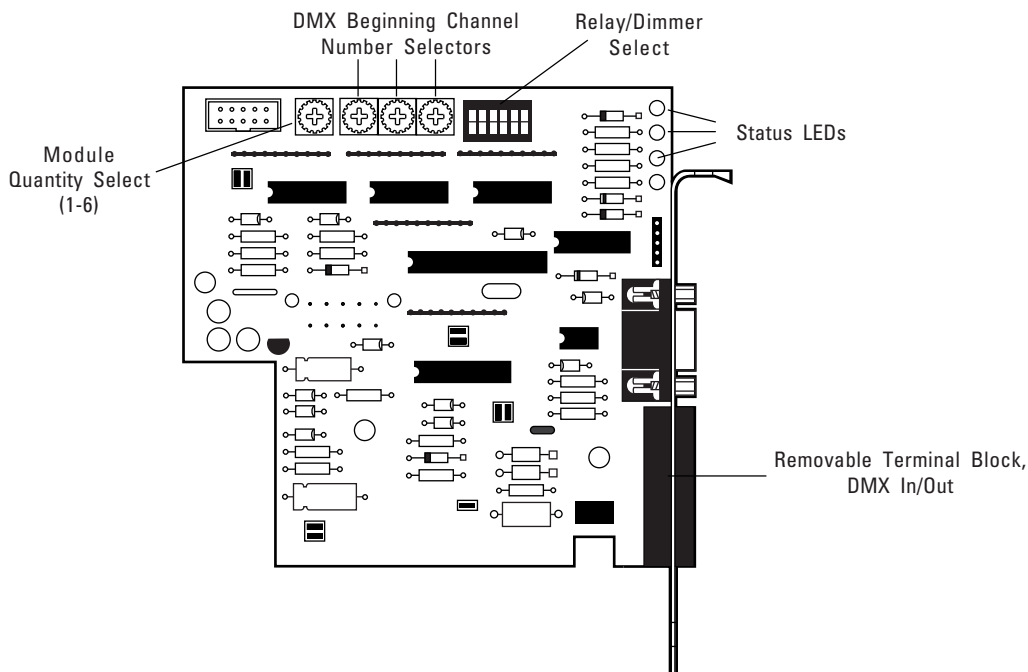
- Addressing: Beginning channel number set by three rotary switches, 001-512.

## DIMENSIONS

All dimensions are inches (millimeters) or pounds (kilograms).



## FUNCTIONAL (For DMX model only)



Note: Only the PC board is shown for clarity. Board mounts in SYA SKIT plug-in chassis for installation in cabinet.



An Acuity Brands Company

Sheet #: SYA SKIT DMX

©2000 Acuity Brands Lighting, Inc., Rev. 03/08

**Synergy Lighting Controls**

1335 Industrial Blvd, Conyers, GA 30012

Phone: 800-533-2719

www.synergylightingcontrols.com