



Catalog Number	
Notes	Type

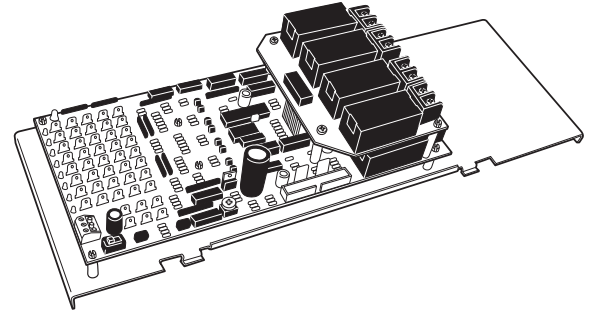
## FEATURES

The fluorescent 0-10V power module is used with the Synergy enclosure to provide low voltage switch inputs, analog inputs, 0-10VDC outputs for dimming ballast control and line voltage switching control of lighting loads. Modules can be used without the system controller (SYSC) for direct switch input to relay output control or with the controller for programmable input to output mapping. Power modules are interchangeable within the enclosure and may be ordered factory- or field-installed.

- Eight 20A relays per module
- Arcless zero cross load switching
- Eight switch/occupancy sensor inputs per module
- Two analog inputs per module
- Eight 0-10VDC analog outputs
- Use with maintained, momentary, switches or alternate action switches
- 24VDC accessory power terminals
- *On/Auto/Off* manual override switch
- Remote override input accepts contact closure to force *FULL-ON* operation for essential lighting applications.
- Ten-year warranty on relays
- UL and C-UL listed; CEC certified

Lighting Control System  
Fluorescent 0-10V Power Module

# SYPM 8F



## ORDERING INFORMATION

Example: **SYPM 8F**

Choose the boldface catalog nomenclature that best suits your needs and write it on the appropriate line. Order accessories as separate catalog number.

		8F			
Series		Type		Breakers / voltage	
<b>SYPM</b>	Module for use with external circuit breakers	<b>8F</b>	Ballast module with eight single-pole, 20A, 120/277 relays and eight 0-10VDC analog outputs	(blank)	No circuit breakers
<b>SYPMB</b>	Module with circuit breakers	8FH	Ballast module with eight single-pole, 20A, 347V relays and eight 0-10 VDC analog outputs	<b>B1</b>	Six 20A, 120V circuit breakers
				<b>B2</b>	Four 20A, 277V circuit breakers
				<b>B3</b>	Six 15A, 120V circuit breakers
				<b>B4</b>	Four 15A, 277V circuit breakers
				<b>B6</b>	Four 20A, 347V circuit breakers
				<b>B7</b>	Four 15A, 347V circuit breakers

# SYPM 8F Fluorescent 0-10V Power Module

## SPECIFICATIONS

### MECHANICAL

- Chassis: all components mounted to steel back plane, keys into enclosure via tab and slot, secures with provided screws.

### ENVIRONMENTAL

- Operation and storage temperature: 32-104°F (0-40°C).
- Humidity: 10-90% non-condensing.

### ELECTRICAL

- Load relays: SPST, enclosed silver cadmium-oxide isolated contacts. N.O. maintained contact - 16A, 277VAC ballast/15A 120VAC tungsten. For H, B6 and B7 options - Mechanically-held contact with visual *ON/OFF* indication - 20A, 347VAC ballasts/20A 120VAC tungsten.
- Load wire connection: board-mounted compression screw terminal blocks, #10 AWG or two #12 AWG maximum. Two terminals per load relay. Suitable for Class 1 or 2.
- Switch/occupancy sensor inputs: PC-board mounted press on lugs, three-wire *ON/COM/OFF* momentary or maintained 0 or 24 volt common contact. #14 AWG maximum, eight sets provided per module. Suitable for Class 1 or 2.
- Analog input: PC-board mounted press on lugs, three-wire +24/com/ input, #14 AWG maximum, two provided per module.
- Override: one PC-board mounted *ON/AUTO/OFF* switch per module, override of eight relays.
- 24VDC accessory power, 20VA per enclosure maximum. 2.5A per cabinet, 500mA total per SYPM 8F.
- Thermal magnetic breakers available (See table for ratings).

## DIMENSIONS

All dimensions are inches (millimeters).

Shipping weight = 4 lbs. (1.9 kg) without circuit breakers  
= 9 lbs. (4.1 kg) with circuit breakers



## CIRCUIT BREAKERS

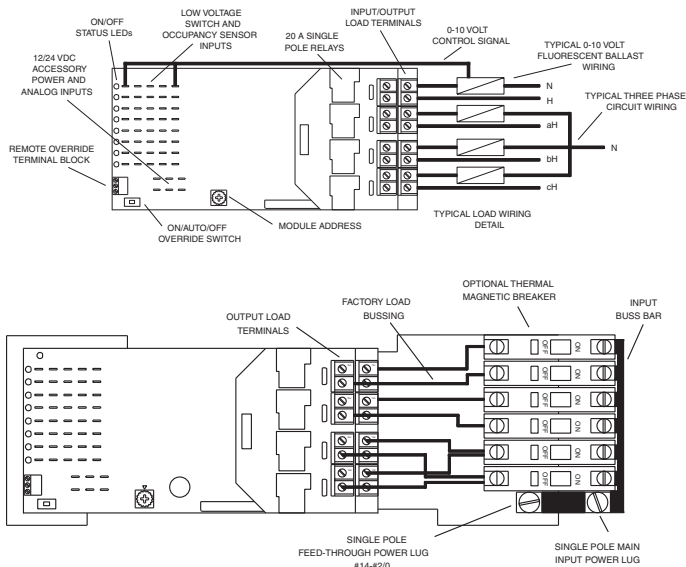
Breaker Options	Number of Breakers	AIC Rating		
		120V	277V	347V
B1 <sup>1</sup>	6	10,000	N/A	N/A
B2 <sup>2</sup>	4	64,000	14,000	N/A
B3 <sup>1</sup>	6	10,000	N/A	N/A
B4 <sup>2</sup>	4	64,000	14,000	N/A
B6 <sup>2</sup>	4	N/A	N/A	14,000
B7 <sup>2</sup>	4	N/A	N/A	14,000

Notes:

1 Circuit breakers 5 & 6 supply two relays. (For details, see installation instructions.)

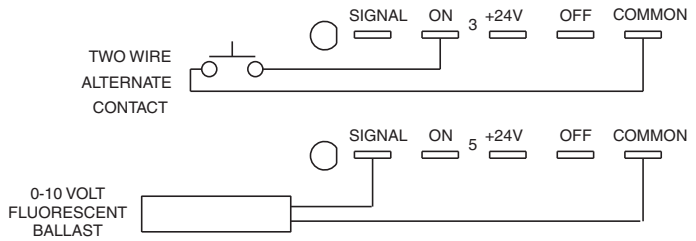
2 Each circuit breaker supplies two relays. (For details, see installation instructions.)

## FUNCTIONAL DIAGRAMS



(B1, B3 Model Shown)

## WIRING DIAGRAMS



Dimming Signal



An AcuityBrands Company