



Catalog Number	
Notes	Type

FEATURES

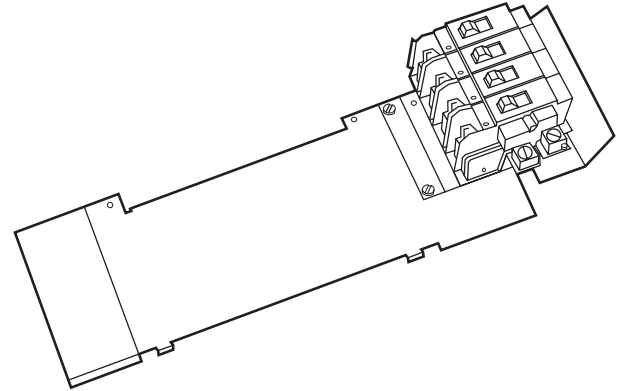
The constant circuit breaker module is used with the Synergy enclosure to provide branch circuit protection for lighting loads. The constant breaker module can be used in conjunction with dimmer modules to provide uncontrolled load outputs or in conjunction with relay modules to provide either controlled or uncontrolled load outputs. Power modules are interchangeable within the enclosure and may be ordered factory- or field-installed.

- Four or six circuit breakers per module
- Main input power lug per module
- Sub-feed power lug per module
- UL and C-UL listed

Lighting Control System

Constant Breaker Module

SYPMB CB



ORDERING INFORMATION

Choose the boldface catalog nomenclature that best suits your needs and write it on the appropriate line. Order accessories as separate catalog number.

Example: **SYPMB 6CB2**

SYPMB		
Series	No. of breakers/type/amperage-voltage	Options
SYPMB	6CB1 Six 20A, 120V circuit breakers 4CB2 Four 20A, 277V circuit breakers 6CB3 Six 15A, 120V circuit breakers 4CB4 Four 15A, 277V circuit breakers 4CB6 Four 20A, 347V circuit breakers 4CB7 Four 15A, 347V circuit breakers	NBAR 42 circuit neutral bar

SYPMB CB Constant Breaker Module

SPECIFICATIONS

MECHANICAL

- Chassis: all components mounted to steel back plane, keys into enclosure via tab and slot, secures with provided screws.
- Circuit breakers quantity: four at 277V, six at 120V.

ENVIRONMENTAL

- Operation and storage temperature: 32-104°F (0-40°C).
- Humidity: 10-90% non-condensing.

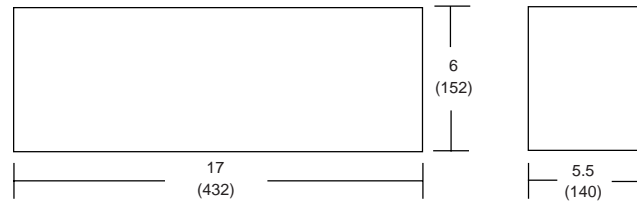
ELECTRICAL

- Circuit breaker rating:
120V, 10,000 AIC
277V, 14,000 AIC
- Input lug capacity: one 2/0 wire max.
- Feed-through capacity: one 2/0 wire max.
- Neutral bar capacity: input lug, 2/0 wire output lugs #10 wire (42 max)

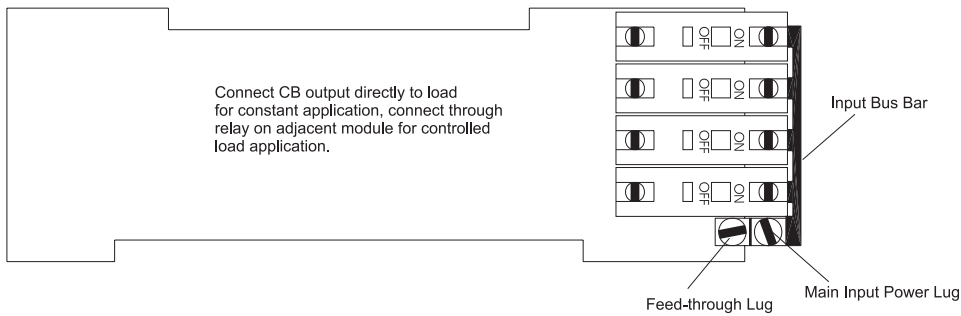
DIMENSIONS

All dimensions are inches (millimeters).

Shipping weight = 5 lbs. (2.3 kg)



FUNCTIONAL



An Acuity Brands Company