



Catalog Number	
Notes	Type

Lighting Control System

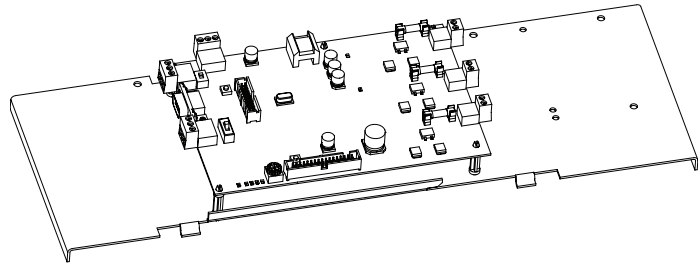
FEATURES

The Synergy Lighting Controls SYPM S5BC power module is used with the Synergy® enclosure to provide individual dimming control and network (or loop) power for Simply5 ballasts. Each SYPM S5BC module controls three independent networks of up to 64 Simply5 ballasts, 192 maximum per module (maximum 1152 ballasts w/SYEL and six SYPM S5BC modules). The SYPM S5BC modules are used with the system controller (SYSC) for configuration, status monitoring, and prioritized control by any Synergy user interface, timeclock schedule, or graphical workstation. SYPM S5BC power modules are interchangeable within the enclosure and other Synergy power modules. The SYPM S5BC power module also features software that detects, and controls, Dali ballasts.

- Individual dimming control of each Simply5 or Dali ballast.
- Three independent Simply5/Dali networks (loops).
- Network power supply and controller included.
- Each network support up to 64 ballasts.
- On/Auto/Off manual override switch per module.

SYPM S5BC

SIMPLY5 Dimming Module

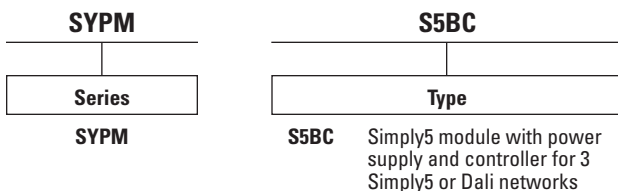


Feature	Lutron EcoSystem	Synergy w/ SYPM S5 Module
Individually controllable dimming ballast	✓	✓
Occupancy sensor capability	✓	✓
Daylight harvesting capability	✓	✓
Infrared Remote Control	✓	✓
Grouping of Ballasts	✓	✓
Grouping of Ballasts from handheld or wireless laptop	✓	✓
Sensor wiring accessible without accessing line voltage compartment of fixture	X	✓
Can simultaneously control SIMPLY5, DALI or EcoSystem ballasts	X	✓
Time of day scheduling standard	X	✓
Native BACnet for integration into building automation system.	X	✓
Room Lighting Control data available from Remote PC	X	✓
Conditional Logic (If, Then, Else) capability	X	✓

ORDERING INFORMATION

Choose the boldface catalog nomenclature that best suits your needs and write it on the appropriate line. Order accessories as separate catalog number.

Example: **SYPM S5BC**



NOTES:

- 1 SYSW CONFIG required for SYPM S5BC start-up
- 2 Requires SYE, SYSC and fixtures containing Simply5 or Dali ballasts

Accessories

Order as separate catalog number.

- | | |
|----------------------|---|
| SYSW CONFIG | Windows™ configuration software and cable ¹ |
| SYSW GRAPHICS | Floorplan and button-based graphical interface software |

SYPM S5BC Simply5 Ballast Dimmer Module

SPECIFICATIONS

MECHANICAL

- Chassis: all components mounted to steel back plane, keys into enclosure via tab and slot, secures with provided screws.

ENVIRONMENTAL

- Operation and storage temperature: 32-104°F (0-40°C).
- Humidity: 10-90% non-condensing.

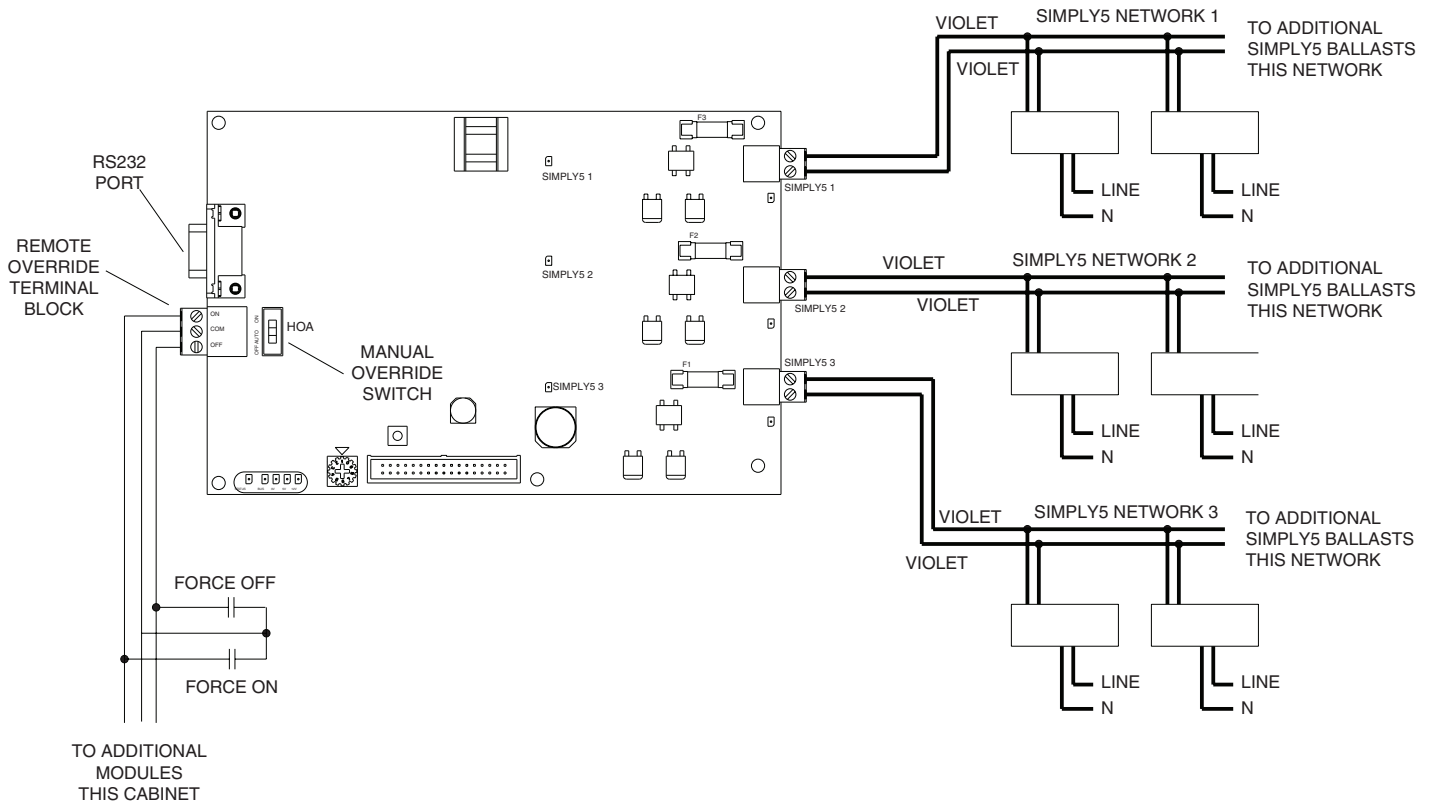
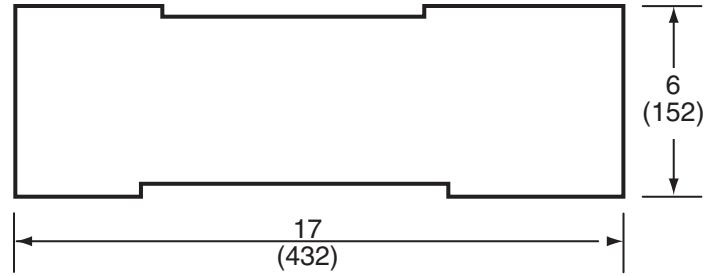
ELECTRICAL

- Simply5/Dali Network connections: removable terminal block with compression screw terminals, #14 AWG maximum.
- Network power supply (each): 22.5V @ 250mA, short circuit protected, suitable for Class 1 or 2 installation.
- Override: one PC-board mounted ON/AUTO/OFF switch and removable terminal block per module, manual override of all connected ballasts.

DIMENSIONS

All dimensions are inches (millimeters).

Shipping weight = 2 lbs (1.9 kg)



An AcuityBrands Company