



Catalog Number	
Notes	Type

FEATURES

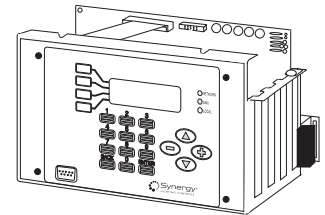
The Synergy® SYSC BACGATE™ adds the ability to monitor and override third-party lighting control equipment to a Synergy system. Typically used in retrofit applications to allow Synergy's state-of-the-art graphical interface software or scheduling capabilities to be used with a previously installed system. The BACGATE™ can be used as an interface to Lutron Grafik 6000®, GE TLC®, and Lithonia or PCI SwitchKeeper® and Watchkeeper® family systems. The DMX option adds the ability for the unit to control one universe (512 address) of DMX devices.

- Networks with standard SYSC MLX Controllers
- BACnet compliant network
- Class-2 wiring
- Integral RS-232 port
- **Requires factory project certification**

Lighting Control System

Third-party System Network Gateway

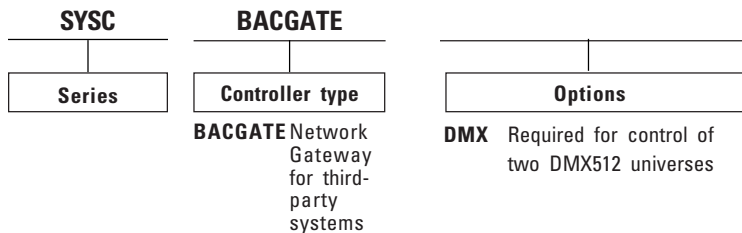
SYSC BACGATE



ORDERING INFORMATION

Example: **SYSCBACGATE**

Choose the boldface catalog nomenclature that best suits your needs and write it on the appropriate line. Order accessories as separate catalog number.



Accessories

Order as a separate item.

- *SYES 120/277** Enclosure and power supply for BACGATE
- SYSW CONFIG** Windows™ configuration software and cable
- SYSW GRAPHICS** Floorplan and button-based graphical interface software

*Required

SYSC BAGGATE Third-party System Network Gateway

SPECIFICATIONS

MECHANICAL

- Chassis: plug-in assembly with locking screws, field-installable in SYE enclosure.

ENVIRONMENTAL

- Operation and storage temperature: 32-104°F (0-40°C).
- Humidity: 10-90% non-condensing.

ELECTRICAL

- Power input: 24VDC maximum, supplied by enclosure power supply.
- Data port: front-mounted DB9 RS232 serial communications connector accessible without removal of cover.
- Internal RS232 Port for connection to A/V systems.
- Internal RS485 Port for gateway output.
- Internal RS485 ARCNET™ (ANSI 878.1) Port for connection to other Synergy controllers and BACnet™ systems.
- Internal Ethernet Port for connection to other Synergy® controllers and /or BACnet™ systems.

FUNCTIONAL

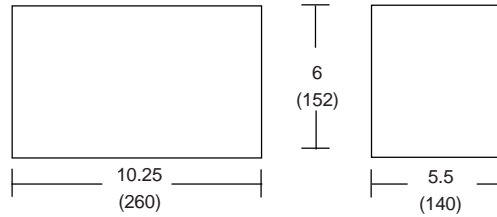
- Program entry: numeric keypad (0-9, back and enter), "soft" function keys, navigation key cluster (up, down, + and -) for menu navigation and logical entry selections.
- LCD display: four-line, 80-character with back light.
- LED indicators: network status, local status and DMX true indication.
- Groups: map gateway outputs into logical groups (zones) for association to inputs and schedules.
- Switch input set to *priority on* cannot be overridden *off* by any other source until the *priority on* condition is removed.
- Switch input set to *priority off* cannot be overridden *on* by any other source until the *priority off* condition is removed.
- Four levels of priority provide for layering of manual and automatic functions, supports all 16 BACnet™ priority levels via network commands.
- DMX Control: control connected loads with DMX control signal using optional DMX output card configured via controller software to provide prioritized and conditional control of loads along with other input devices and schedules.
- PC software: program the controller, download data, upload data and monitor status using optional Windows 95/98™, XP, 2000 or NT software via front-mounted DB-9 RS232 port, network connection or optional modem connection.

NETWORK

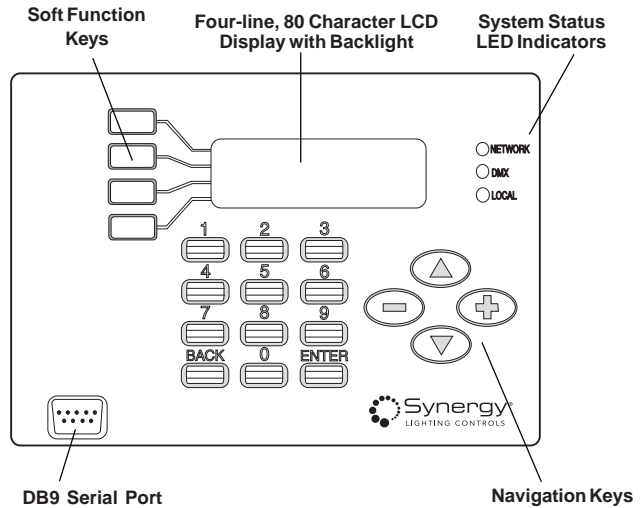
- Protocol: BACnet™, (ANSI / ASHRAE 135-1995) used for network communications.
- Hardware: RS485 ARCNET™ (ANSI 878.1) token passing, 156 Kbps transmission speed. Approved cables include Lithonia SYA CABLES2 (plenum-rated) or Belden 3105A (non plenum rated).

DIMENSIONS

All dimensions are inches (millimeters).
Controller weight = 5.5 lbs. (2.6 kg)



FUNCTIONAL



An Acuity Brands Company