



Catalog Number	
Notes	Type

## FEATURES

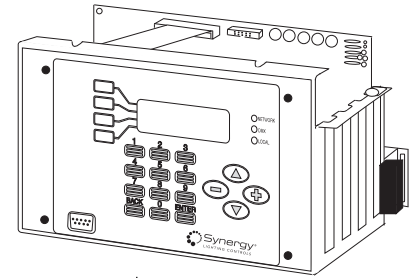
The Synergy<sup>®</sup> MLS system controller adds programming and automation capabilities to a Synergy system. Capabilities include individual circuit control of lighting functions for a wide variety of applications. System outputs respond to time-of-day schedules via the internal time clock. In addition, inputs can be accepted from external devices such as switches, photocells, occupancy sensors, digital remotes, telephones and other control systems to directly control lighting or override scheduled events.

- Supports all Synergy power modules
- Seven-day scheduling with astronomic clock
- Holiday schedule dates
- Load prioritization setup
- Exclusive Script Logic Application Language
- Programmable switch inputs
- Support for SEQUEL<sup>®</sup> dimming control stations
- Support for digital Synergy<sup>®</sup> remote stations
- Timed switch overrides
- Analog source monitoring with multiple set points
- Integral keypad with backlit display
- All programming stored in non-volatile industrial compact flash memory card
- Automatic system event logging
- Integral lamp burn hours and start counters
- Integral RS232 ports
- Optional PC software
- Optional touch-tone telephone interface for voice-prompted overrides.
- Optional support for Legacy MiniPac, Sequel, and MaxStar dimmer cabinets.
- English, Spanish or French operation
- UL and C-UL listed; CEC Certified

## Lighting Control System

### Enhanced System Controller

# SYSC MLS



System Functions	MLS Controller	MLX Controller
<b>Relay Capacity (No Breakers)</b>	48 96 Total w/Secondary Cabinet	48 96 Total w/Secondary Cabinet
<b>Relay Capacity (With Breakers)</b>	40 80 Total w/ Secondary Cabinet	40 96 Total w/Secondary Cabinet
<b>Dimmer Capacity</b>	30 60 Total w/ Secondary Cabinet	30 60 Total w/ Secondary Cabinet
<b>DALI Capacity (loops)</b>	18 36 Total w/Secondary Cabinet	18 36 Total w/Secondary Cabinet
<b>DMX512 Input Scheduling</b>	DMX Channel-to-Output Configured via controller software 100 schedules/unlimited events	100 schedules/unlimited events
<b>Analog Input</b>	YES	YES
<b>PC Support</b>	YES	YES
<b>Script Logic</b>	YES	YES
<b>Logging</b>	YES	YES
<b>Priority Logic</b>	YES	YES
<b>Network</b>	NO	YES
<b>Telephone Override</b>	YES, optional	YES, optional
<b>BACnet<sup>®</sup></b>	NO	YES
<b>RS232</b>	YES	YES
<b>Modem</b>	YES, optional	YES, optional
<b>Sequel Stations</b>	YES	YES
<b>Legacy Dimmers</b>	YES, optional	YES, optional
<b>Digital Remotes</b>	YES	YES

## ORDERING INFORMATION

Choose the boldface catalog nomenclature that best suits your needs and write it on the appropriate line. Order accessories as separate catalog number.

SYSC	MLS	Options
Series	Controller type	
	<b>MLS</b> Enhanced system controller with programmer	<b>ISA</b> Three 16-bit ISA expansion slots
		<b>PHONE</b> Telephone interface for voice-prompted override and remote modem access (requires ISA option)
		<b>DMX</b> Dimming interface, required for connection to DMX 512 control signal
		<b>LEGACY</b> Allows control of one complete network (255 dimmers) of Legacy MiniPac, Sequel, and MaxStar dimmer cabinets. Replaces master controller on existing systems.

### Example: SYSC MLS

#### Accessories

Order as separate items.

- SYA SKIT** Permits two SYE enclosures to operate with a single MLS controller
- SYSW CONFIG** Windows<sup>™</sup> configuration software and cable
- SYA CABLEA4** Synergy<sup>®</sup> Class 2, four conductor, plenum rated control station network cable (Specify length: 250', 500' or 1000')

# SYSC MLS Enhanced System Controller

## SPECIFICATIONS

### MECHANICAL

- Chassis: plug-in assembly with locking screws, field-installable in SYE enclosure.

### ENVIRONMENTAL

- Operation temperature: 32-104°F (0-40°C). Storage temperature: 0-160°F (-18-71°C). Humidity: 10-90% non-condensing.

### ELECTRICAL

- Power input: 24VDC maximum, supplied by enclosure power supply.
- Data port: front-mounted DB9 RS232 serial communications connector accessible without removal of cover.
- Internal RS232 port for connection to A/V systems.
- Internal RS485 port for connection to SEQUEL control stations and digital remote stations.

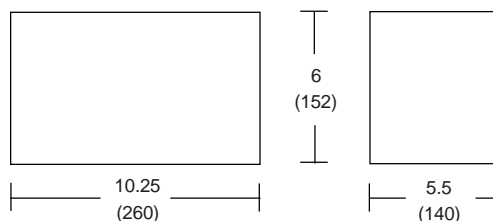
### FUNCTIONAL

- Program entry: numeric keypad (0-9, back and enter), "soft" function keys (F1-F4), navigation key cluster (up, down, + and -) for menu navigation and logical entry selections.
- LCD display: four-line, 80-character with back light.
- LED indicators: local status indication.
- Outputs: 128 maximum per controller in typical configurations; map inputs and schedules to any combination of connected relays, dimmers, or controllable circuit breakers.
- Groups: map output relays and dimmers into logical groups (zones) for association to inputs and schedules.
- Switch inputs: 128 maximum per controller, soft-linked through the program to control any combination of outputs; one minute to 100 hour time-out function per switch.
- Analog input: maximum of 48, each capable of multiple set-point operation or tracking operation.
- *Priority on* switch: switch input set to *priority on* cannot be overridden *off* by any other source until the *priority on* condition is removed.
- *Priority off* switch: switch input set to *priority off* cannot be overridden *on* by any other source until the *priority off* condition is removed.
- Four levels of priority provide for layering of manual and automatic functions.
- Schedules: Maximum of 100 independent schedules of time events; number of events per schedule limited only by system resources. Schedules may be assigned to days of the week days of the year, or recurring holiday dates through 12/31/2200.
- *Warn off*: automatic flash of lights at scheduled *off* to warn occupants of impending *off*, user selectable from one to 99 minutes.
- Logging: automatic logging of system events including *on* events, *off* events, relay run time, relay starts, alarms, power up, power down, override *on* and override *off*; 10,000 event maximum storage with automatic overwrite of oldest data; view log data on LCD display or printout.
- Telephone Override: override selected loads via touch-tone phone using programmable four-digit codes and voice prompts using optional PHONE interface.
- DMX Control: control connected loads with DMX control signal using optional DMX input card. May be configured via hardware settings or through controller software to provide prioritized and conditional control of loads along with other input devices and schedules.
- Legacy Dimmer Control: control up to 255 legacy MiniPac, Sequel, and MaxStar dimmers with optional LEGACY card. Synergy controller replaces function of M2, M3, or M9 master controller in existing systems. Legacy dimmers may be controlled by any input or schedule in the Synergy system.
- PC software: program the controller, download data, upload data and monitor status using optional Windows™ 95, 98, 2000, NT or XP software via front-mounted DB-9, RS232 port or optional modem connection.

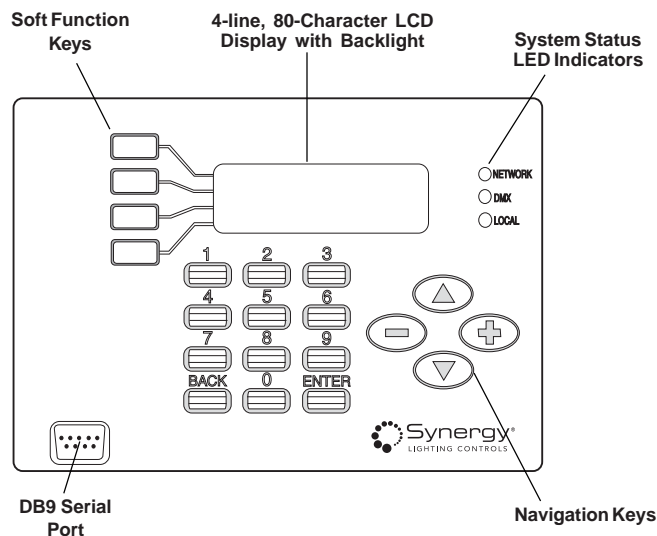
## DIMENSIONS

All dimensions are inches (millimeters).

Controller weight = 5.5 lbs. (2.6 kg)



## FUNCTIONAL



- Sixty digital stations maximum per MLS controllers
- Room Assignment: digital station control of up a 4X8 room matrix that may be dynamically joined and separated to accommodate partitioned spaces. Join/separate action for each set of rooms may be triggered by switch input, digital station, time schedule, or partition sensor.



An Acuity Brands Company