

HANOVER SERIES

Small Luminaires



EH16RT ACHS

SPECIFICATIONS

DESCRIPTION

The luminaire shall consist of a ballast housing and skirt with internal reflector and horizontal lamp. Lens shall be flat, sag, half sphere or drop globe. Optional decoration shall be a shield at the bottom of the skirt.

DIMENSIONS

Dimensions shall be as detailed on the back page.

MATERIALS

The ballast housing and skirt shall be cast aluminum. Globe material shall be clear glass, flat or sag, or clear acrylic, half sphere or drop globe. The reflector shall be anodized and segmented for superior uniformity and control. The optional shield shall be spun aluminum. All hardware shall be stainless steel.

INSTALLATION

The luminaire shall have .75" female, NPT at top for mounting to Eurotique™ 4" diameter arms. The globe shall be gasketed and mounted on an aluminum ring which is hinged to the skirt and furnished with a captive screw for easy relamping. The reflector shall pivot and be secured with a captive screw for easy access to the ballast plate. The ballast and socket assembly shall be furnished with a quick disconnect plug and mount on a removable ballast plate.

FINISH

For finish specifications and color options, see "Finish" section in catalog.

LIGHT SOURCE

Luminaires shall be furnished with an H.I.D. ballast and socket assembly. Luminaire shall be UL listed and labeled as suitable for wet locations. Socket shall be glazed porcelain, medium base, with a copper alloy nickel plated screw shell and center contact. Ballast shall be core and coil, high power factor, regulating type.

CERTIFICATION

Upon request, manufacturer shall supply UL file # and listing information.

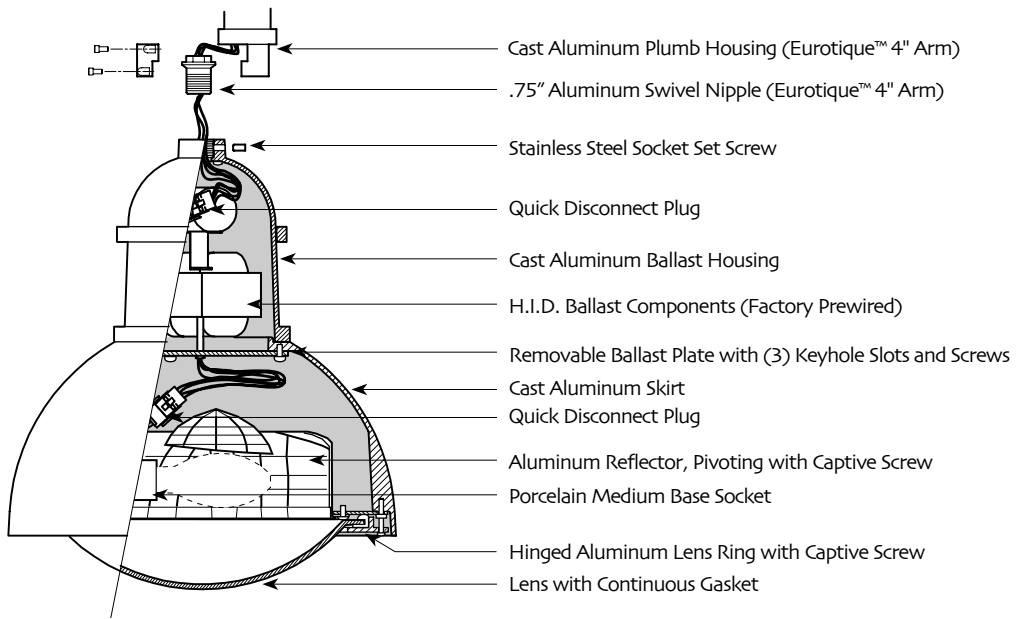
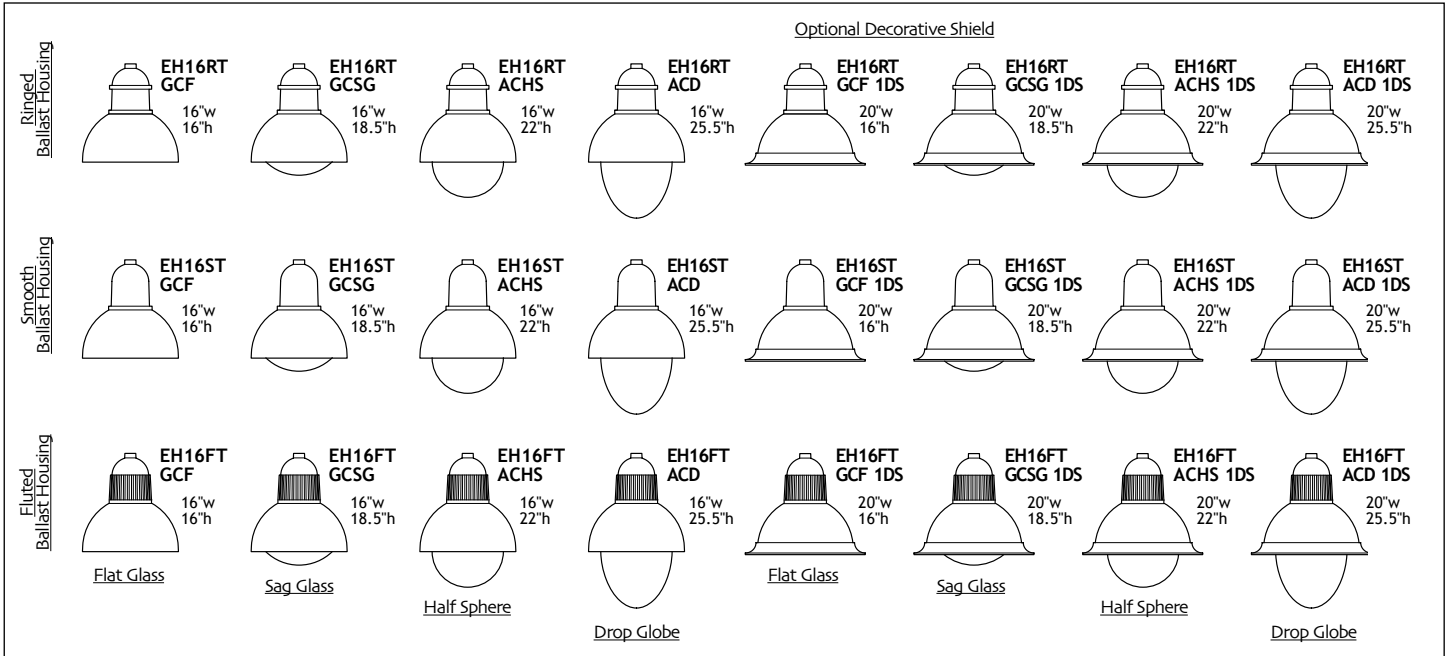
PHOTOMETRY

See "Eurotique™ PHOTOMETRICS" tab in catalog.

EUROTIQUE™
Architectural Lighting

ANTIQUE Street Lamps
An **Acuity** Brands Company

2011-B W. Rundberg Ln. • Austin, TX 78758
Ph (512) 977-8444 • Fax (512) 977-9622
www.antiquestreelamps.com



ORDERING INFORMATION

Choose the **boldface** catalog nomenclature that best suits your needs and write it on the appropriate line.

Example: **EH16RT 175H MED GCSG SR2 120 ANBK DF**

Series	Wattage/Lamp	Distribution ³	Voltage	Finish ²	Options
EH16RT	50H MED 50 watt Mercury Vapor	SR2 IES Distribution	120	ANBK Black	HS House Side Shield
EH16ST	75H MED 75 watt Mercury Vapor	SR3 IES Distribution	208	ANDB Dark Bronze	SF Single Fusing
EH16FT	100H MED 100 watt Mercury Vapor	SR4SC IES Distribution	240	ANDG Dark Green	DF Double Fusing
	175H MED 175 watt Mercury Vapor	SR5S IES Distribution	277	ANVG Verde Green	1DS Decorative Shield
	50M MED 50 watt Metal Halide		347	ANPP Prime Painted	
	70M MED 70 watt Metal Halide		480¹	CM Custom Match	
	100M MED 100 watt Metal Halide		TB¹	CS Custom Select RAL colors	
	150M MED 150 watt Metal Halide				
	175M MED 175 watt Metal Halide				
	35S MED 35 watt High Pressure Sodium				
	50S MED 50 watt High Pressure Sodium				
	70S MED 70 watt High Pressure Sodium				
	100S MED 100 watt High Pressure Sodium				
	150S MED 150 watt High Pressure Sodium				
		Lens Material			
		GCF Glass, Clear Flat			
		GCSG Glass, Clear Sag			
		ACHS Acrylic, Clear Half Sphere			
		ACD Acrylic, Clear Drop Globe			

NOTES:

1. Multi-tap Ballast (120,208,240,277v) and 480v. For wattages under 70S, 70M or 100H contact ASL for availability.
2. For finish and color options, see Finish section in catalog.
3. See Photometric tab for IES classifications and Iso Illuminance plots for each lens type and reflector combination.

ANTIQUÉ Street Lamps
An Acuity Brands Company

2011-B W. Rundberg Ln. • Austin, TX 78758
Ph (512) 977-8444 • Fax (512) 977-9622
www.antiquestreetlamps.com