

## MUNICH SERIES Small Luminaires



**EM17RT ACD**

## SPECIFICATIONS

### DESCRIPTION

The luminaire shall consist of a ballast housing and skirt with internal reflector and horizontal lamp. Lens shall be flat, sag, half sphere or drop globe.

### DIMENSIONS

Dimensions shall be as detailed on the back page.

### MATERIALS

The ballast housing and skirt shall be cast aluminum. Globe material shall be clear glass, flat or sag, or clear acrylic, half sphere or drop globe. The reflector shall be anodized and segmented for superior uniformity and control. All hardware shall be stainless steel.

### INSTALLATION

The luminaire shall have .75" female, NPT at top for mounting to Eurotique™ 4" diameter arms. The globe shall be gasketed and mounted on an aluminum ring which is hinged to the skirt and furnished with a captive screw for easy relamping. The reflector shall pivot and be secured with a captive screw for easy access to the ballast plate. The ballast and socket assembly shall be furnished with a quick disconnect plug and mount on a removable ballast plate.

### FINISH

For finish specifications and color options, see "Finish" section in catalog.

### LIGHT SOURCE

Luminaires shall be furnished with an H.I.D. ballast and socket assembly. Luminaire shall be UL listed and labeled as suitable for wet locations. Socket shall be glazed porcelain, medium base, with a copper alloy nickel plated screw shell and center contact. Ballast shall be core and coil, high power factor, regulating type.

### CERTIFICATION

Upon request, manufacturer shall supply UL file # and listing information.

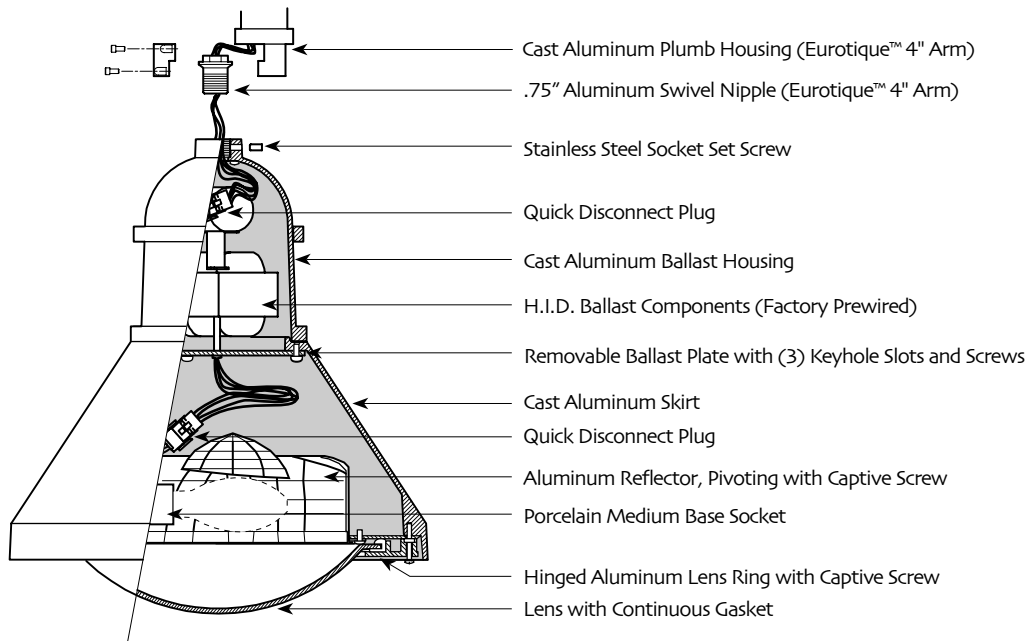
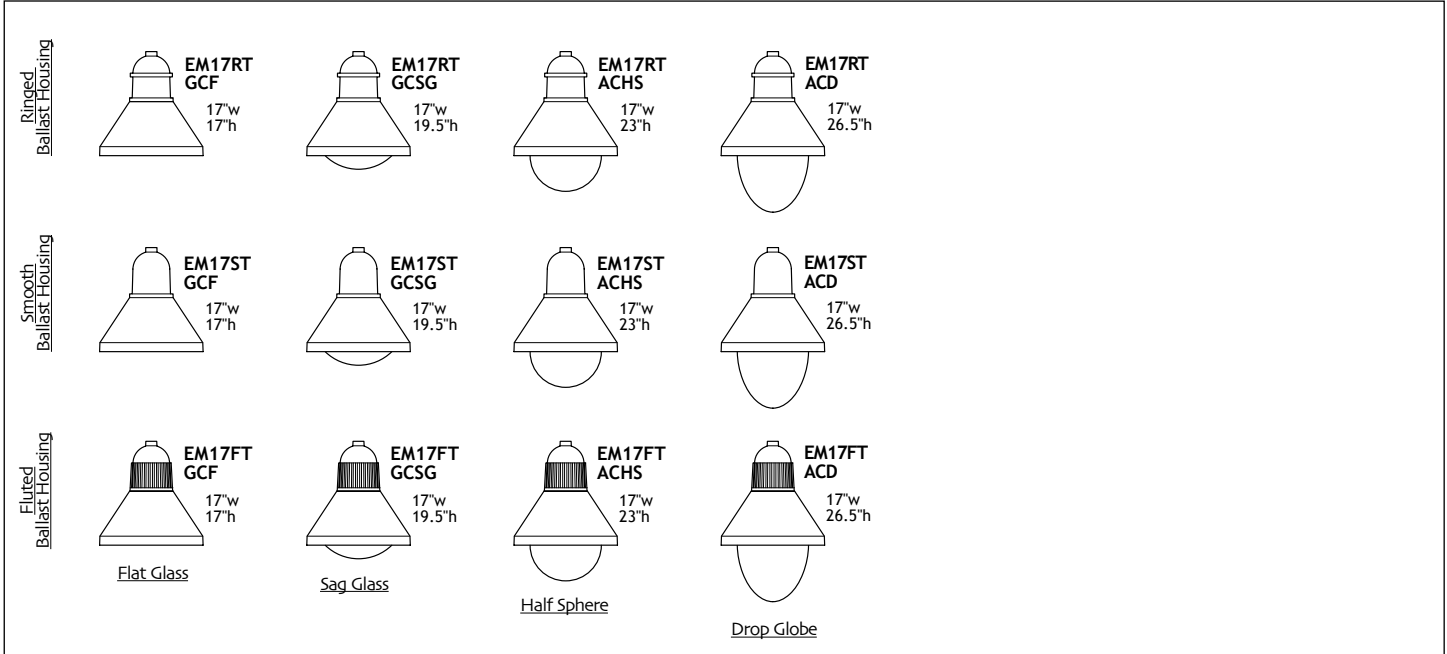
### PHOTOMETRY

See "Eurotique™ PHOTOMETRICS" tab in catalog.

**EUROTIQUE™**  
Architectural Lighting

**ANTIQUE Street Lamps**  
An Acuity Brands Company

2011-B W. Rundberg Ln. • Austin, TX 78758  
Ph (512) 977-8444 • Fax (512) 977-9622  
www.antiquestreetlamps.com



ORDERING INFORMATION

Choose the **boldface** catalog nomenclature that best suits your needs and write it on the appropriate line.

Example: **EM17RT 175H MED GCSG SR2 120 ANBK DF**

Series	Wattage/Lamp	Distribution <sup>3</sup>	Voltage	Finish <sup>2</sup>	Options
EM17RT	<b>50H MED</b> 50 watt Mercury Vapor	<b>SR2</b> IES Distribution	<b>120</b>	<b>ANBK</b> Black	<b>HS</b> House Side Shield
EM17ST	<b>75H MED</b> 75 watt Mercury Vapor	<b>SR3</b> IES Distribution	<b>208</b>	<b>ANDB</b> Dark Bronze	<b>SF</b> Single Fusing
EM17FT	<b>100H MED</b> 100 watt Mercury Vapor	<b>SR4SC</b> IES Distribution	<b>240</b>	<b>ANDG</b> Dark Green	<b>DF</b> Double Fusing
	<b>175H MED</b> 175 watt Mercury Vapor	<b>SR5S</b> IES Distribution	<b>277</b>	<b>ANVG</b> Verde Green	
	<b>50M MED</b> 50 watt Metal Halide		<b>347</b>	<b>ANPP</b> Prime Painted	
	<b>70M MED</b> 70 watt Metal Halide		<b>480<sup>1</sup></b>	<b>CM</b> Custom Match	
	<b>100M MED</b> 100 watt Metal Halide		<b>TB<sup>1</sup></b>	<b>CS</b> Custom Select RAL colors	
	<b>150M MED</b> 150 watt Metal Halide				
	<b>175M MED</b> 175 watt Metal Halide				
	<b>35S MED</b> 35 watt High Pressure Sodium				
	<b>50S MED</b> 50 watt High Pressure Sodium				
	<b>70S MED</b> 70 watt High Pressure Sodium				
	<b>100S MED</b> 100 watt High Pressure Sodium				
	<b>150S MED</b> 150 watt High Pressure Sodium				
		<b>Lens Material</b>			
		<b>GCF</b> Glass, Clear Flat			
		<b>GCSG</b> Glass, Clear Sag			
		<b>ACHS</b> Acrylic, Clear Half Sphere			
		<b>ACD</b> Acrylic, Clear Drop Globe			

NOTES:

1. Multi-tap Ballast (120,208,240,277v) and 480v. For wattages under 70S, 70M or 100H contact ASL for availability.
2. For finish and color options, see Finish section in catalog.
3. See Photometric tab for IES classifications and Iso Illuminance plots for each lens type and reflector combination.

ANTIQUE Street Lamps  
An Acuity Brands Company

2011-B W. Rundberg Ln. • Austin, TX 78758  
Ph (512) 977-8444 • Fax (512) 977-9622  
www.antiquestreelamps.com