



FEATURES

INTENDED USE

To provide direct dimming and switching control of fluorescent fixtures equipped with four-wire (0-10 VDC) dimming ballasts.

ATTRIBUTES

Fluid slide movement allows fine adjustment of light level over the entire dimming range. Separate ON/OFF preset switch permits switching the lighting without disturbing the light level setting. An integral LED indicator turns ON when the dimmer is OFF to facilitate location in a dark room. ISD Series controls are compatible with the DSA Series wallplates and other Decora® style devices.

CONSTRUCTION

Strap-mount device is designed to fit standard single- or multi-gang switch boxes.

FINISH

Standard white or ivory finish devices are supplied with a single-gang Decora style wallplate. Snap-on color change kits are available allowing field color change of the device to gray, black, brown, almond, white, or ivory. Color change kits include a matching single-gang Decora style wallplate.

ELECTRICAL

Uses standard single-pole or three-way wiring. No neutral connection is required. Separate low voltage connection to ballast for 0 to 10-volt control signal.

Dual rated for 120 and 277VAC ballast loads.

For additional switching capacity, use in conjunction with LPCS 120/277 power control station.

FUNCTIONAL

Integral push ON/push OFF switch allows lighting to be switched ON and OFF at the level currently set by the slider. Ballast controller can be used with standard three-way and four-way switches for applications requiring control from multiple locations.

INSTALLATION

Wall mounts over standard single-gang switch box. Devices can be ganged into multi-gang assemblies by breaking off the scored aluminum tabs.

LISTING

UL Listed. CSA Certified.

WARRANTY

Two -year total customer satisfaction warranty.

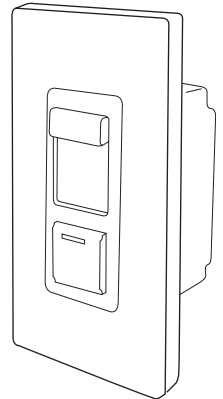
Decora® is a registered trademark of Leviton®.

Catalog Number	
Notes	Type

Wallbox Dimmers

ISD BC

BALLAST CONTROLLER



Shown with optional DSA FP D1 WH screwless wallplate (order separately)

ORDERING INFORMATION

Example: **ISD BC 120/277 WH**

Choose the boldface catalog nomenclature that best suits your needs and write it on the appropriate line. Order accessories as separate catalog number.

ISD	BC	120/277	Color¹
Series	Type	Voltage	IV Ivory WH White
	BC Ballast controller	120/277 Dual voltage	

NOTE:

- ISD dimmers are supplied with standard wallplates. Order optional IV ivory or WH white screwless designer wallplates to match dimmer if desired.

Accessories

Order as separate item.

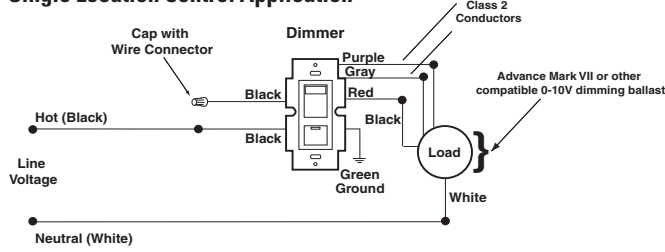
- ISD CCKIT** __ Color change kit, specify WH (White), IV (Ivory), GY (Gray), BR (Brown), BK (Black) or AL (Almond).
- DSA FP D#** __ Ivory screwless thermoplastic wallplate for ISD or Decora® compatible devices. Specify number of gangs (# =1 to 6) and color [WH (white), IV (ivory), GY (gray), BR (brown), BK (black) or AL (almond)].

Note: Consult factory for color availability in multi-gang plate configuration.

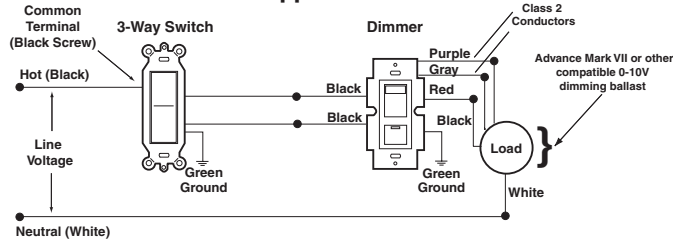
ISD BC Ballast Controller

WIRING DIAGRAMS

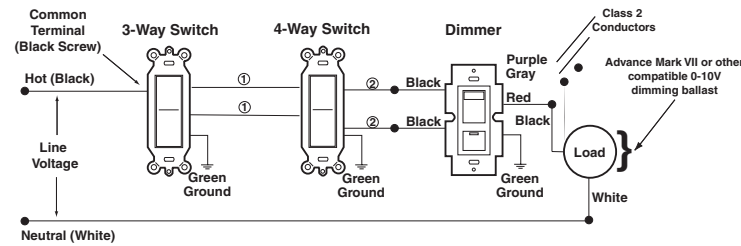
Single Location Control Application



Two Location Control Application



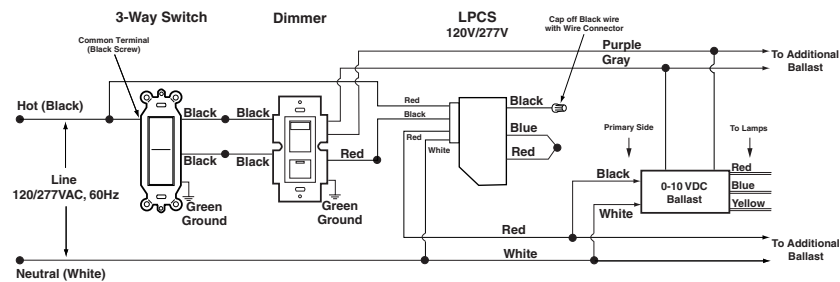
Three Location Control Application



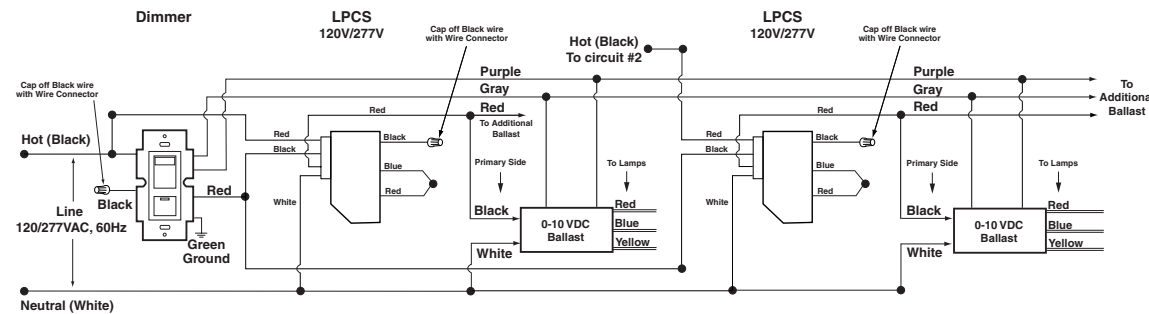
NOTES:

- 1 Class 2 conductors as part of the same system can be run with line voltage if supplied with 600V insulation.
- 2 Consult factory for complete class 2 installation instructions.

LPCS - Two Location Control



Multiple LPCS - Single Location Control



SPECIFICATIONS

ELECTRICAL

- Input: 120/277 VAC @ 50/60Hz (switch only).
- Standard three-way operation.
- Maximum low voltage control loading fifty (50) ballasts.
- Maximum switch rating: 1200W 120VAC, 1500W 277VAC.
- Use with LPCS power control station for full 16A switching capacity. Operates three LPCS stations per ballast controller.
- No derating is required for multi-gang mounting.
- Compatible with Advance Mark VII®, MagneTek/Universal Ballastar®, ESI Super Dim and SYLVANIA Helios™ electronic ballasts.
- Compatible ballast control ranges (Subject to change without notice; contact ballast manufacturer for current specs.):

Advance Mark VII, RZT Series	100% to 1% continuous
SYLVANIA, Helios	100% to 1% continuous
MagneTek/Universal Ballastar	100% to 5% continuous
Lutron TVE Series	100% to 10% continuous
ESI, Super Dim	100% to 1% continuous

- Compatible with Lutron Hi-Lume or ECO-10 ballasts with the LEQ FDBI interface.
- Consult factory for 347VAC or low voltage only switching requirements.

MECHANICAL

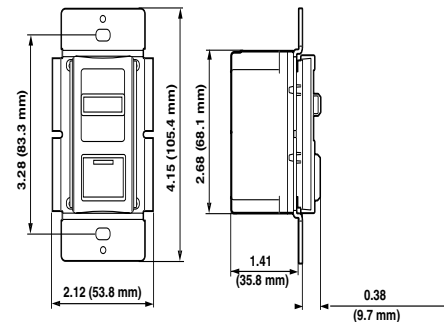
- Captured wrap-around slide mechanism, 20mm total travel.
- Air-gap push ON/OFF preset switch.

ENVIRONMENTAL

- Operating range, 0 – 55°C, 20 – 90% relative humidity, non condensing.

DIMENSIONS

All dimensions are inches (centimeters).



Lithonia Lighting

Acuity Lighting Group, Inc.
Lighting Control Systems
One Lithonia Way, Decatur, GA 30035
Phone: 800-533-2719
In Canada: 1100 50th Ave., Lachine, Quebec H8T 2V3
www.lithonia.com