



Specifications

Reflectors - Precision formed, high performance, 95% total reflectance, segmented optics utilizing Alanod MIRO® 4 specular aluminum warranted for 25 years. White reflectors have 93+% total reflectance and are finished with an in-house polyester powder coating system. Reflector optics are available in a wide variety of photometric distributions and spacing criteria.

- Optional upright. Suffix letter "U" to reflector selection.
- Optional heavy gauge reflector material is available for more demanding applications.

Construction - Channel, and socket brackets are manufactured from 22-gauge galvanized material. Riveted assembly.

- Top ballast access.

Ballasts - All standard ballasts are electronic, energy saving, thermally protected, Class-P, HPF, non-PCB, Sound Rated A, UL/CSA certified where applicable and comply with Ⓢ Federal Ballast Law (Public Law 100-357, 1988).

Electrical - UL listed wire, rated for required temperatures, used throughout. Lamps are secured with rotary locking lamp sockets for ease of relamping and to reduce lamps disconnecting due to vibration or incidental contact. Luminaire is bi-national listed (UL 1598 and CSA C22.2 No. 250.0-00) and is suitable for damp locations.

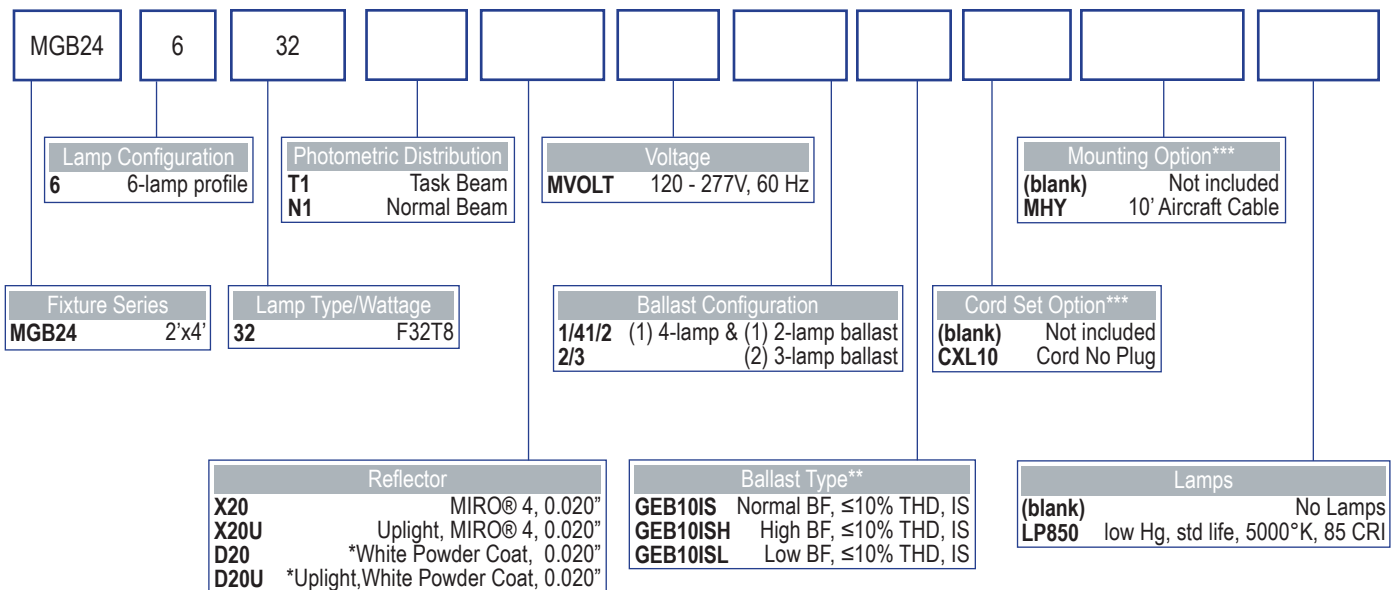
Mounting - The luminaire will be suspended by factory installed aircraft cable.

Lamps - Factory installed lamps are available in various CRI ratings, temperature colors and rated life.

Warranty - Standard 1-year warranty for the fixture. Ballasts carry manufacturer warranties of 3-5 years, depending on the application.



Catalog Logic



* Available only with Normal Beam distribution.

** Available with Programmed Start Ballast.

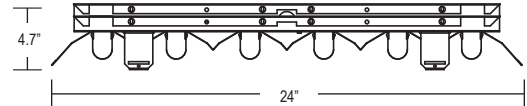
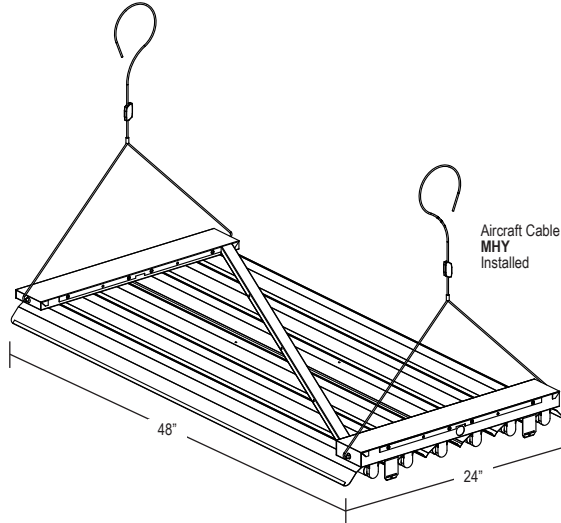
*** Options are installed when specified.



Applications

MetalOptic's MGB series luminaire is the perfect replacement for HID high bay luminaires. It is typically located in retail, warehouse, industrial, commercial and manufacturing areas. The luminaire is designed for indoor area lighting applications and may be mounted at heights of 15' to 40'.

Dimensions



Features

High fixture efficiency and optical control deliver the peak candlepower needed to produce desired illumination levels from high mounting heights.

- Instant on/off control
- Improved horizontal and vertical illumination
- 85 CRI (fluorescent) v. 65 CRI (metal halide)
- 92%+ Lumen Maintenance (fluorescent) v. 63% Lumen Maintenance (metal halide)
- Long life - up to 36,000 hours
- Up to 95% maintained Lumens per watt
- Energy savings of up to 60% vs. HID fixtures

Additional Options (installed on fixture)

- Cord Sets
- Motion Sensor
- Reloc
- Fusing

Accessories

- Aircraft Cable, 2-toggle, 18" legs, 10' **MHY**
* 2 hangers/kit installed

Photometrics

SC Across Definitions:

Focus = < 0.9 Spacing Criterion (SC)
Spread = 1.4 to 1.8 Spacing Criterion (SC)

Task = 0.9 to 1.2 Spacing Criterion (SC)
Broad = > 1.8 Spacing Criterion (SC)

Normal = 1.2 to 1.4 Spacing Criterion

Consult Factory for Photometrics

