

Catalog Number	
Notes	Type

FEATURES & SPECIFICATIONS

INTENDED USE — Ideal for use in cold storage, food processing, manufacturing and industrial environments. Durable fixture design will perform well in rugged environments.

CONSTRUCTION — Channel, ends and socket brackets are manufactured from 20-gauge aluminum. Designed with angled (sloping) top. Riveted and screwed assembly. Tool-less ballast and wiring access. Provided with a 20-gauge aluminum premium polyester powder coat finish doorframe with (12) stainless steel captive bolts and double gasketing around doorframe and lens.

Finished in premium polyester powder coat; utilizing a 7-stage pretreatment process of iron phosphate, a non-chromium sealer and a de-ionized water rinse to provide superior adhesion and corrosion resistance.

OPTICS — Impact-resistant clear acrylic diffuser is standard (.125" thick). Polycarbonate diffuser option is also available (.125" thick). Reflectors are precision-formed, high performance, segmented optics utilizing premium specular aluminum. Provides 95% reflectivity and warranted for 25 years.

ELECTRICAL — Ballasts: Thermally protected, resetting, Class P, HPF, Sound Rating A+. UL listed wire, rated for required temperatures, used throughout. 90°C rated ballast standard for T5HO. T8 ballast starting temperature is -18°C (0°F) and T5HO starting temperature is -29°C (-20°F).

All fixtures are standard with 6' wet location white power cord (no plug) on one fixture end. Lamps: 4100K lamps standard. Secured with rotary locking lampholders for ease of re-lamping and to minimize disconnection due to vibration or incidental contact.

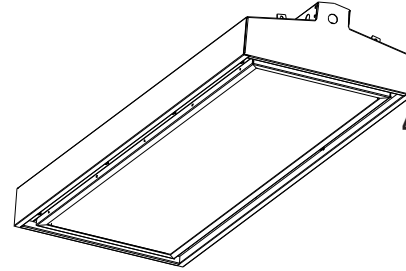
INSTALLATION — Provided with (4) integral suspension flanges and stainless steel V-hooks for use with aircraft cable or chain hangers (cable and chains not included).

LISTING — UL/C-UL listed to US and Canadian Safety Standard. NOM Certified (see Options). UL 1598 and CSA C22.2 No. 250.0-00 for ambient operation up to 30°C (85°F). Suitable for wet location. IP55 rated and certified to meet NSF Splash Zone 2. 1300 PSI hose-down.

WARRANTY — Guaranteed for one year against mechanical defects in manufacturing.

High-Pressure Hose-Down

MHH 16"X4'



Food Processing
4- or 6-lamp T5, T5HO or T8

Specifications

Length: 48" (122.0)
Width: 16" (41.3)
Depth: 6.75" (17.1)
Weight: 20.3 lbs. (9.21 kg)

All dimensions are inches (centimeters).
Specifications subject to change without notice.

ORDERING INFORMATION

For shortest lead times, configure product using **standard options (shown in bold)**.

Example: MHH164 454L

MHH164		Distribution	Voltage	Ballast	Lamps installed ⁴
Series	MHH164 16"x4'	White ballast cover (blank) General distribution Specular reflector ND Narrow distribution SD Spread distribution	(blank) MVOLT; 120V-277V HVOLT 347V-480V ²	T5HO/T5 (blank) 1.0 BF, PRS T8 (blank) 1.18 BF, IS GEB10IS .88 BF, IS GEB10ISL .76 BF, IS	(blank) 85 CRI, 841 LP830 85 CRI, 830 LP835 85 CRI, 835 LP850 85 CRI, 850
Lamp type ¹	T5HO lamps 454L 4-lamp, 54W 654L 6-lamp, 54W T5 lamps 428T5L 4-lamp, 28W T8 lamps 432L 4-Lamp, 32W 632L 6-Lamp, 32W	Shielding (blank) Clear acrylic PCL Clear polycarbonate	Ballast configuration T5HO/T5/T8 (blank) All two-lamp ballasts 1/4 One, four-lamp ballast ³ 2/3 Two, three-lamp ballasts ³ 1/41/2 One, four-lamp and one, two-lamp ballasts ³	Options ⁵ CXL12 12' white cord, 18/3, no plug EL14DW Emergency lighting (1400 lumens) ⁶ HHK Stainless steel V-hook TRS Tamper-resistant screws ⁷ NOM NOM Certified	

NOTES:

- To order fixtures WITHOUT lamps, remove the "L" from the description (EX: **MHH164 454**).
- Available with 54T5HO only.
- Not available with 28T5.
- Alternate lamp color need only be specified if pre-installed lamps are provided.
- For additional options consult factory.
- Must specify voltage. Not available with cordset - specify L/CX.
- Stainless steel Torx® T25 screws with center reject pin.

Accessories

Order as a separate catalog number.

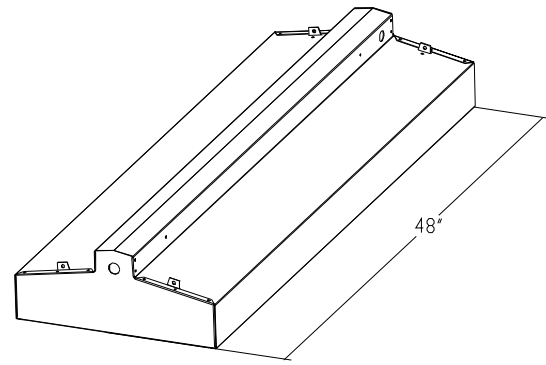
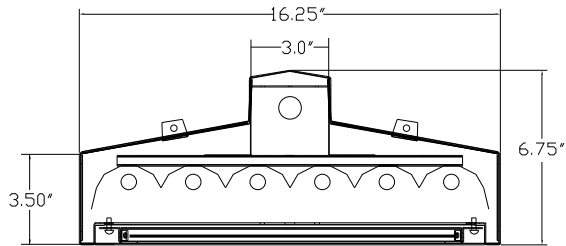
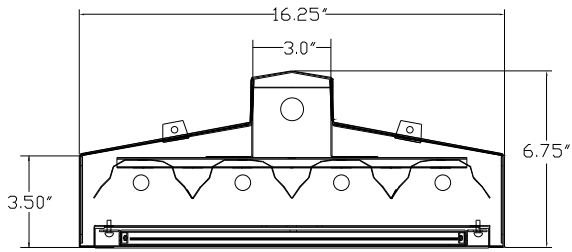
HHK	Stainless steel V-hook
IBAC120	Aircraft cable 10', Y hanger (one pair)
IBAC240	Aircraft cable 20', Y hanger (one pair)

MHH 16x4 Fluorescent High-Pressure Hose-Down, T5, T5HO and T8

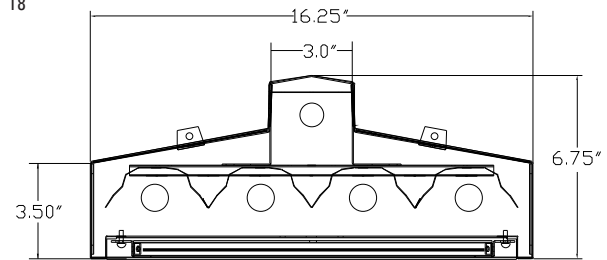
DIMENSIONS

Inches (centimeters). Subject to change without notice.

T5/T5HO



T8



PHOTOMETRICS

Consult factory for photometric information.