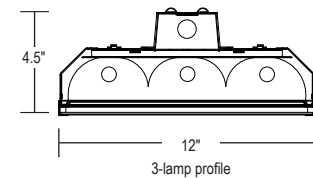
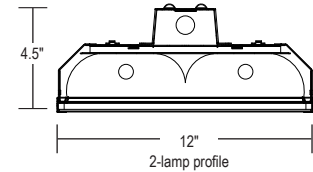
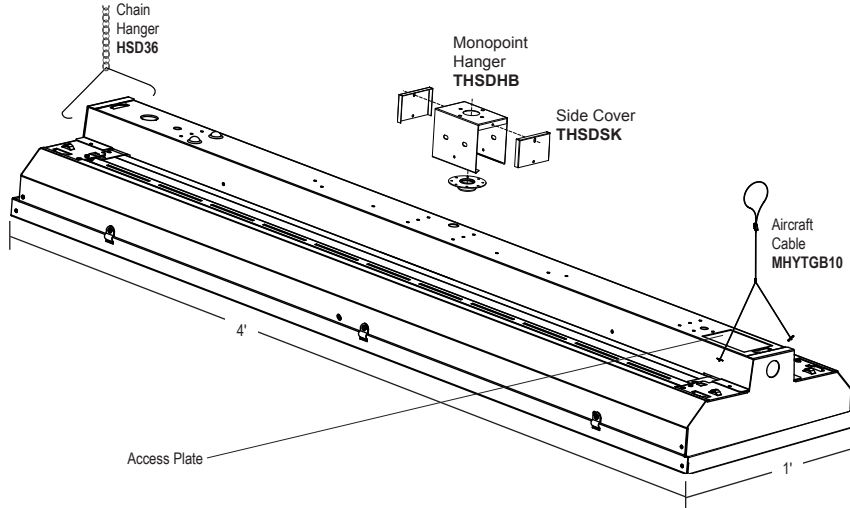




Applications

MetalOptic's MJA14 series luminaire is the perfect replacement for HID high bay luminaires. It is typically located in retail, warehouse, industrial, commercial and manufacturing areas. The luminaire is designed for large area lighting applications (5,000 - 1,000,000+ sq. ft.) and may be mounted at heights of 15' to 25'.

Dimensions



Features

High fixture efficiency and optical control deliver the peak candlepower needed to produce desired illumination levels from high mounting heights.

- Instant on/off control
- Improved horizontal and vertical illumination
- 85 CRI (fluorescent) v. 65 CRI (metal halide)
- 95%+ Lumen Maintenance (fluorescent) v. 60% Lumen Maintenance (metal halide)
- Long life - up to 30,000 hours
- 80+ maintained Lumens per watt
- Energy savings of up to 65% vs. HID fixtures

Additional Options (installed on fixture)

- Battery Pack
- Reloc
- Cord Sets
- Fusing
- Motion Sensor

Accessories (order separately)

- Monopoint Hanger, w/ 3/4" KO
- Monopoint Hanger, w/ 3/4" hub
- Side covers for Monopoint Hangers
- Chain Hanger, 36"
- Safety Chain, 24"
- Aircraft Cable, 2-toggle, 18" legs, 10'

THSD
THSDHB
THSDSK
HSD36 *
SCKFV
MHYTGB10 *

* 2 hangers/kit

Photometrics

SC Across Definitions:

Focus = < 0.9 Spacing Criterion (SC)
 Spread = 1.4 to 1.8 Spacing Criterion (SC)

Task = 0.9 to 1.2 Spacing Criterion (SC)
 Broad = > 1.8 Spacing Criterion (SC)

Normal = 1.2 to 1.4 Spacing Criterion

Consult Factory For Photometrics

Note: Luminaires supplied with X20, or D20 reflector options have heat management venting slots above the lamps that provide 2% to 3% uplight component.

