

### Specifications

**Reflectors** - Precision formed, high performance, 95% total reflectance, segmented optics utilizing Premium specular aluminum warranted for 25 years. White reflectors have 93+% total reflectance and are finished with an in-house polyester powder coating system. Reflector optics are available in a wide variety of photometric distributions and spacing criteria.

- Optional upright. Suffix letter "U" to reflector selection.
- Optional heavy gauge reflector material is available for more demanding applications.

**Construction** - Channel, ends and socket brackets are manufactured from 22-gauge cold rolled steel. Riveted and screwed assembly. Tool-less ballast and wiring access.

- Optional all aluminum construction, specify PAF and AL.

**Finish** - Standard high gloss white baked enamel, pretreated with a 5-stage iron phosphate system.

- Optional premium polyester powder coat finish, utilizing a 7-stage pretreatment process of iron phosphate, a non-chromium sealer and a de-ionized water rinse to provide superior adhesion and corrosion resistance. Specify PAF (powder coat after fabrication). Required for aluminum construction.

**Ballasts** - All standard ballasts are electronic, energy saving, thermally protected, Class-P, HPF, non-PCB, Sound Rated A, UL/CSA certified where applicable and comply with © Federal Ballast Law (Public Law 100-357, 1988). Default ballast configuration is for two-lamp ballasts, except for 1-lamp fixtures.

**Electrical** - UL listed wire, rated for required temperatures, used throughout. Lamps are secured with rotary locking lamp sockets for ease of relamping and to reduce lamps disconnecting due to vibration or incidental contact. Luminaire is bi-national listed (UL 1598 and CSA C22.2 No. 250.0-00) and is suitable for damp locations.

**Mounting** - The luminaire may be suspended by chain or cable or may be monopoint mounted with appropriate accessories.

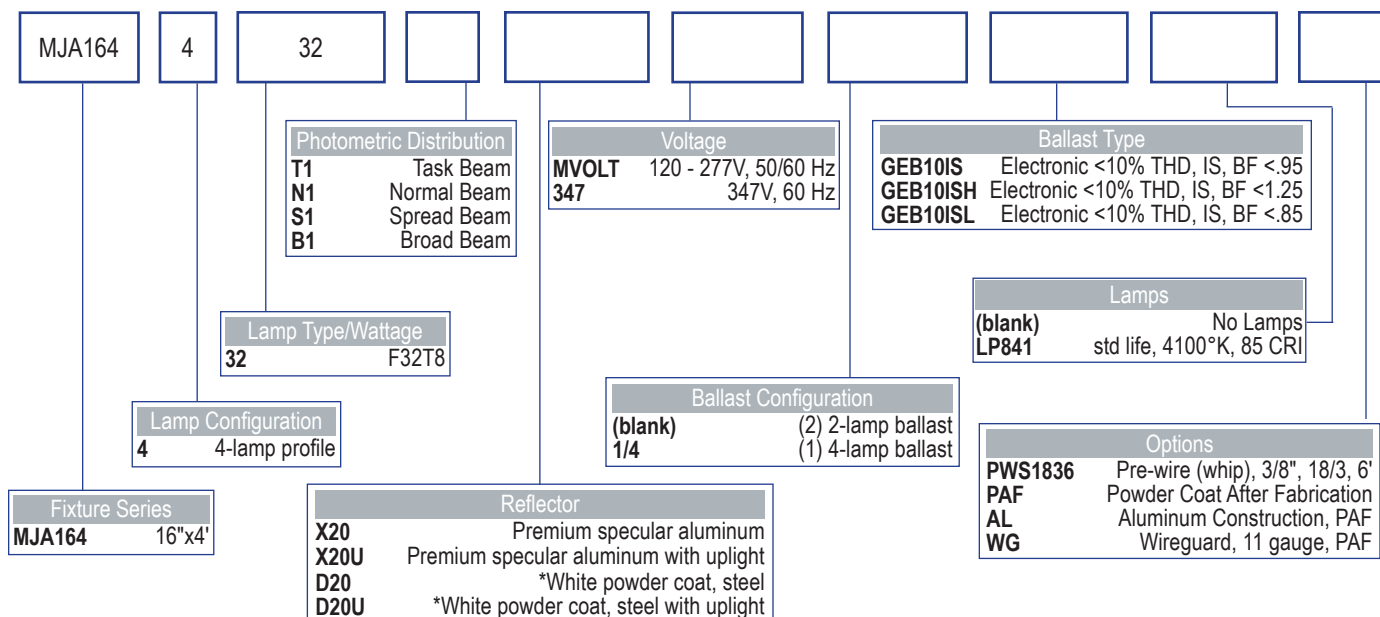
- Accessories are available.

**Lamps** - Factory installed lamps are available in various CRI ratings, temperature colors and rated life.

**Warranty** - Standard 1-year warranty for the fixture. Ballasts carry manufacturer warranties of 3-5 years, depending on the application.



### Catalog Logic



\* Available only with a Normal Beam Distribution

MMJA164T8OSD28HB1501

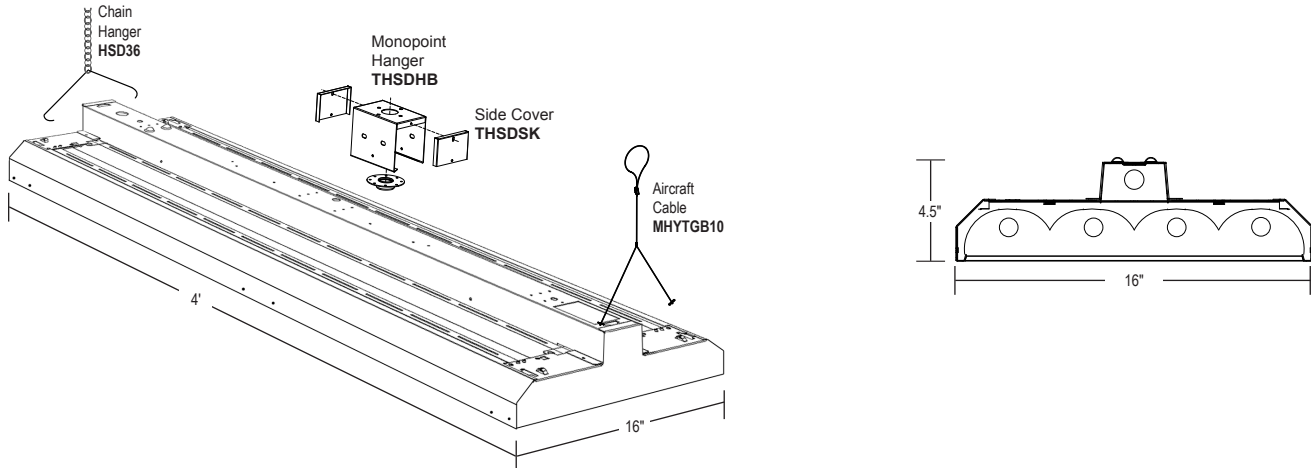




### Applications

MetalOptic's MJA series luminaire is the perfect replacement for HID high bay luminaires. It is typically located in retail, warehouse, industrial, commercial and manufacturing areas. The luminaire is designed for large area lighting applications (5,000 - 1,000,000+ sq. ft.) and may be mounted at heights of 15' to 40'.

### Dimensions



### Features

High fixture efficiency and optical control deliver the peak candlepower needed to produce desired illumination levels from high mounting heights.

- Instant on/off control
- Improved horizontal and vertical illumination
- 85 CRI (fluorescent) v. 65 CRI (metal halide)
- 95%+ Lumen Maintenance (fluorescent) v. 60% Lumen Maintenance (metal halide)
- Long life - up to 40,000 hours
- 80+ maintained Lumens per watt
- Energy savings of up to 65% vs. HID fixtures

### Additional Options (installed on fixture)

- Battery Pack
- Reloc
- Cord Sets
- Fusing
- Motion Sensor

### Accessories (order separately)

- Monopoint Hanger, w/ 3/4" KO
  - Monopoint Hanger, w/ 3/4" hub
  - Side covers for Monopoint Hangers
  - Chain Hanger, 36"
  - Safety Chain, 24"
  - Aircraft Cable, 2-toggle, 18" legs, 10'
- THSD  
THSDHB  
THSDSK  
HSD36 \*  
SCKFV  
MHYTGB10 \*
- \* 2 hangers/kit

### Photometrics

SC Across Definitions:

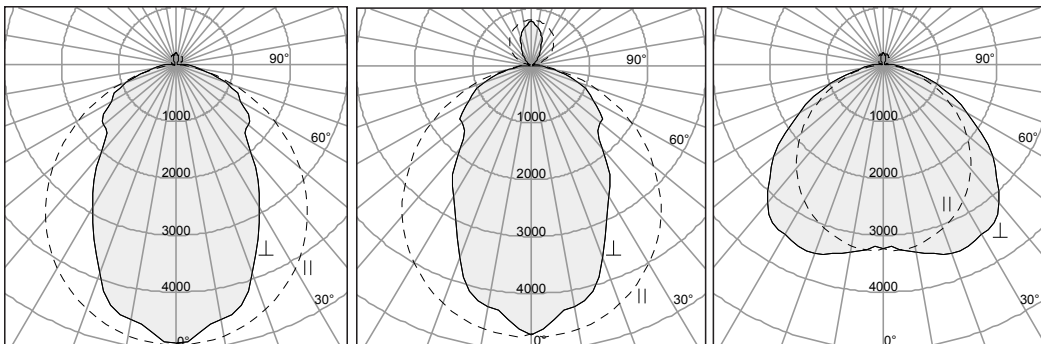
Focus = < 0.9 Spacing Criterion (SC)

Spread = 1.4 to 1.8 Spacing Criterion (SC)

Task = 0.9 to 1.2 Spacing Criterion (SC)

Broad = > 1.8 Spacing Criterion (SC)

Normal = 1.2 to 1.4 Spacing Criterion



MJA164 4 32 T1X20  
Test #ALP200451M  
Fixture Efficiency: 92.6%  
SC Across: 1.0, SC Along: 1.3

MJA164 4 32T1X20U  
Test #ALP200452M  
Fixture Efficiency: 94.6%  
SC Across: 0.9, SC Along: 1.3

MJA164 4 32 S1X20  
Test #ALP200472M  
Fixture Efficiency: 95.2%  
SC Across: 1.5, SC Along: 1.3

Note: Luminaires supplied with X20, or D20 reflector options have heat management venting slots above the lamps that provide 2% to 3% upright component.

