



Specifications

Reflectors - Precision formed, high performance, 95% total reflectance, segmented optics utilizing Alanod MIRO® 4 specular aluminum warranted for 25 years. White reflectors have 93+% total reflectance and are finished with an in-house polyester powder coating system. Reflector optics are available in a wide variety of photometric distributions and spacing criteria.

- Optional upright. Suffix letter "U" to reflector selection.
- Optional heavy gauge reflector material is available for more demanding applications.

Construction - Channel, ends and socket brackets are manufactured from 22-gauge cold rolled steel. Riveted and screwed assembly. Tool-less ballast and wiring access.

- Optional all aluminum construction, specify AL or PAF.

Finish - Standard high gloss white baked enamel, pretreated with a 5-stage iron phosphate system.

- Optional premium polyester powder coat finish, utilizing a 7-stage pretreatment process of iron phosphate, a non-chromium sealer and a de-ionized water rinse to provide superior adhesion and corrosion resistance. Specify PAF (powder coat after fabrication).

Ballasts - All standard ballasts are electronic, energy saving, thermally protected, Class-P, HPF, non-PCB, Sound Rated A, UL/CSA certified where applicable and comply with Ⓢ Federal Ballast Law (Public Law 100-357, 1988). Default ballast configuration is for two-lamp ballasts except for 1-lamp fixture.

Electrical - UL listed wire, rated for required temperatures, used throughout. Lamps are secured with rotary locking lamp sockets for ease of relamping and to reduce lamps disconnecting due to vibration or incidental contact. Luminaire is bi-national listed (UL 1598 and CSA C22.2 No. 250.0-00) and is suitable for damp locations.

Mounting - The luminaire may be surface mounted or may be suspended by chain or cable.

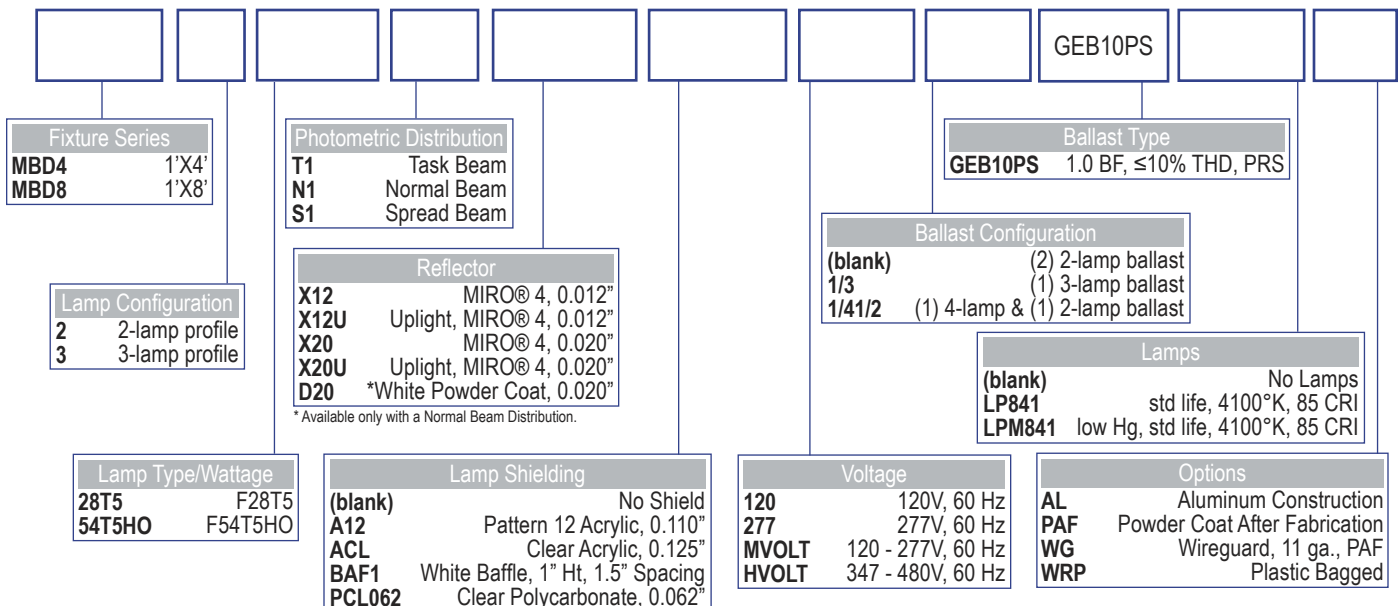
- Accessories are available.

Lamps - Factory installed lamps are available in various CRI ratings, temperature colors and rated life.

Warranty - Standard 1-year warranty for the fixture. Ballasts carry manufacturer warranties of 3-5 years, depending on the application.



Catalog Logic



MMBD48T5OLS01IS0101

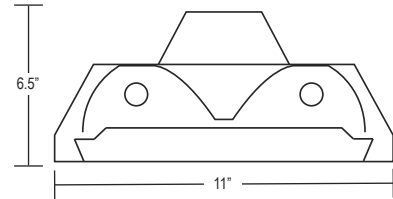
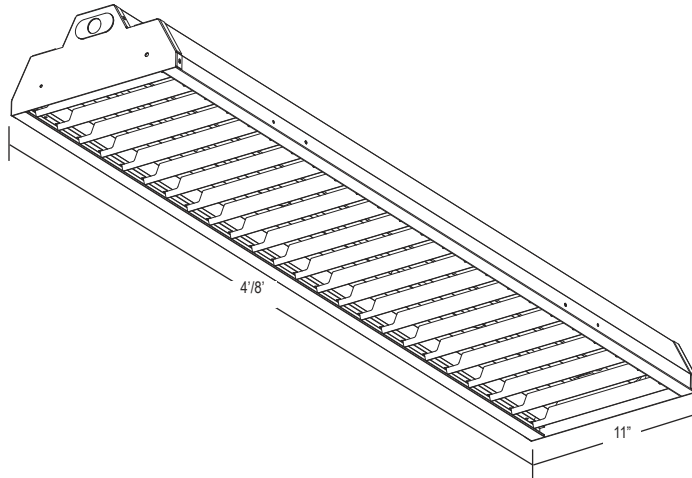




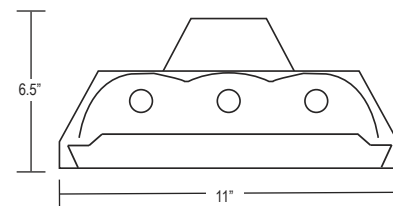
Applications

The Unibody construction (one-piece channel with riveted end caps) is much stronger than the inferior channel/hood prevalent in the marketplace. The MBD also features high performance reflectors designed to produce the precise symmetric or asymmetric distribution desired. This seamless integration of housing and reflector make the MBD ideal for commercial and retail applications where appearance and performance are important, as well as for industrial applications where structural integrity and product performance are critical.

Dimensions



2 Lamp profile



3 Lamp profile

Features

High fixture efficiency and optical control deliver the peak candlepower needed to produce desired illumination levels from high mounting heights.

- Instant on/off control
- Improved horizontal and vertical illumination
- 85 CRI (fluorescent) v. 65 CRI (metal halide)
- 95%+ Lumen Maintenance (fluorescent) v. 50% Lumen Maintenance (metal halide)
- Long life - up to 20,000 hours
- 80+ maintained Lumens per watt
- Energy savings of 25% or more vs. HID fixtures
- Top Access Ballast Compartment

Additional Options (installed on fixture)

- Battery pack
- Motion Sensor
- Photocell
- Factory Installed Lamps
- Cord Sets
- Flexible Wiring
- Fusing

Accessories (order separately)

- Chain Hanger, 36"
- Safety Chain, 24"
- Aircraft Cable, 1-toggle, 10'
- * 2 hangers/kit

HC36 *
SCKFV
MHTGB10 *

Photometrics

SC Across Definitions:

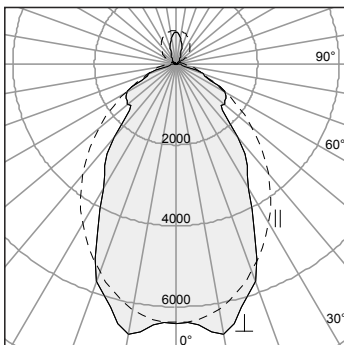
Focus = < 0.9 Spacing Criterion (SC)

Spread = 1.4 to 1.8 Spacing Criterion (SC)

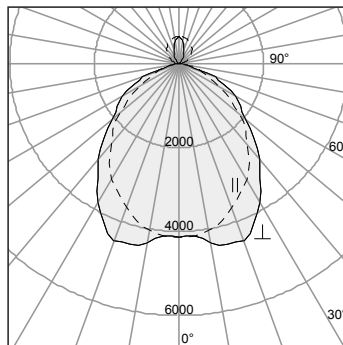
Task = 0.9 to 1.2 Spacing Criterion (SC)

Broad = > 1.8 Spacing Criterion (SC)

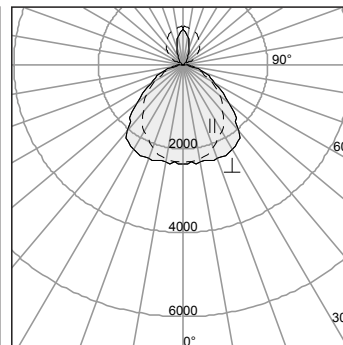
Normal = 1.2 to 1.4 Spacing Criterion



MBD4 3 54T5HO T1X20 BAF1
Test #ALP200191M
Fixture Efficiency: 84.2%
SC Across: 1.0, SC Along: 1.1



MBD4 2 54T5HO N1X20U BAF1
Test #ALP200200M
Fixture Efficiency: 83.7%
SC Across: 1.3, SC Along: 1.2



MBD4 2 54T5HO S1X20U BAF1
Test #ALP200279M
Fixture Efficiency: 82.5%
SC Across: 1.4, SC Along: 1.2

