



### Specifications

**Reflectors** - Precision formed, high performance, 95% total reflectance, segmented optics utilizing Alanod MIRO® 4 specular aluminum warranted for 25 years. White interiors have 93+% total reflectance and are finished with an in-house polyester powder coating system. Reflector optics are available in a wide variety of photometric distributions and spacing criteria.

- Optional high performance MIRO® 4 specular aluminum reflector provides 95% total reflectance.
- Optional upright. Suffix letter "U" to reflector selection. .020" reflector required for upright.
- Optional heavy gauge reflector materials available for more demanding applications.

**Construction** - Channel, ends and socket brackets are manufactured from 22-gauge cold rolled steel. Riveted and screwed assembly. Tool-less ballast and wiring access.

- Optional all aluminum construction, specify AL.

**Lamp Shielding** - Lamp shielding options include flat lenses and radial blade/louver/baffle. Lamp shielding is installed via a lift and shift method.

**Finish** - Standard premium polyester powder coat finish, utilizing a 7-stage pretreatment process of iron phosphate, a non-chromium sealer and a de-ionized water rinse to provide superior adhesion and corrosion resistance. Specify PAF (powder coat after fabrication).

**Ballasts** - All standard ballasts are electronic, energy saving, thermally protected, Class-P, HPF, non-PCB, Sound Rated A, UL/CSA certified where applicable and comply with © Federal Ballast Law (Public Law 100-357, 1988). Default ballast configuration is for two-lamp ballasts except for 1-lamp fixture.

**Electrical** - UL listed wire, rated for required temperatures, used throughout. Lamps are secured with rotary locking lamp sockets for ease of relamping and to reduce lamps disconnecting due to vibration or incidental contact. Luminaire is bi-national listed (UL 1598 and CSA C22.2 No. 250.0-00) and is suitable for damp locations.

**Mounting** - The luminaire or may be suspended by chain or cable.

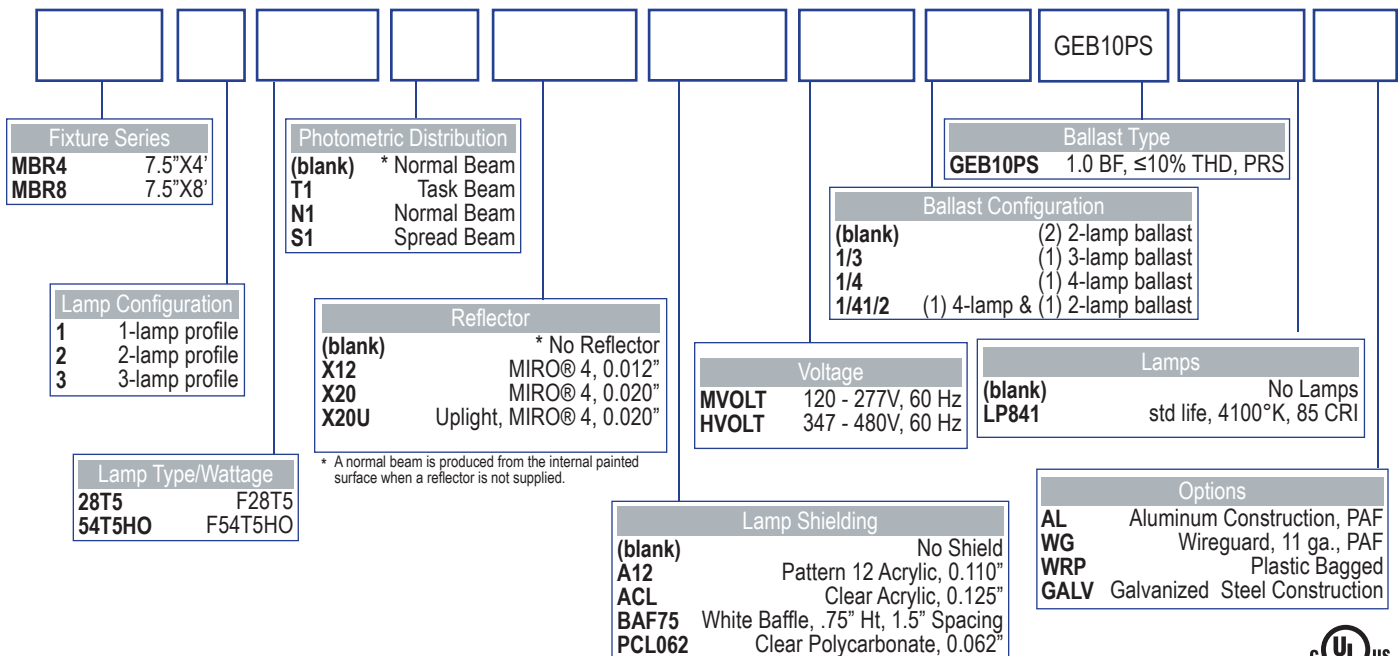
- Accessories are available.

**Lamps** - Lamps shipped separately when ordered with shielding.

**Warranty** - Standard 1-year warranty for the fixture. Ballasts carry manufacturer warranties of 3-5 years, depending on the application.



### Catalog Logic



MMBR48T5OLS14IS1101

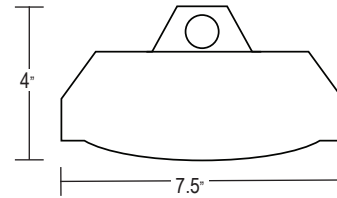
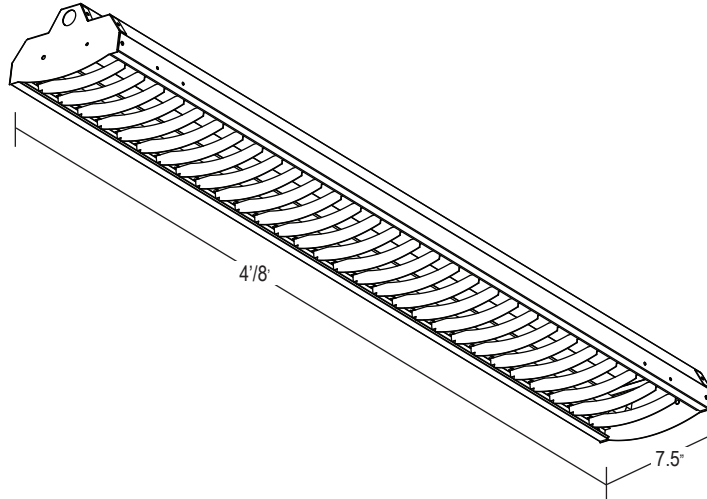




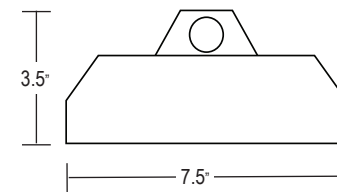
### Applications

The Unibody construction (one-piece channel with riveted end caps) is much stronger than the channel/hood prevalent in the marketplace. The MBR is ideal for applications where appearance and performance are important, such as schools, offices, or retail store applications.

### Dimensions



Radial-Baffle



Standard - Open or Lensed

### Features

High fixture efficiency and optical control deliver the peak candlepower needed to produce desired illumination levels from high mounting heights.

- Instant on/off control
- Improved horizontal and vertical illumination
- 85 CRI (fluorescent) v. 65 CRI (metal halide)
- 95%+ Lumen Maintenance (fluorescent) v. 50% Lumen Maintenance (metal halide)
- 80+ maintained Lumens per watt
- Energy savings of 25% or more vs. HID fixtures

### Additional Options (installed on fixture)

- Battery pack
- Motion Sensor
- Fusing
- Cord Sets
- Flexible Wiring

### Accessories (order separately)

- Chain Hanger, 36"
  - Safety Chain, 24"
  - Aircraft Cable, 2-toggle, 18" legs, 10'
- \* 2 hangers/kit

**HC36 \***  
**SCKFV**  
**MHYTGB10 \***

### Photometrics

SC Across Definitions:

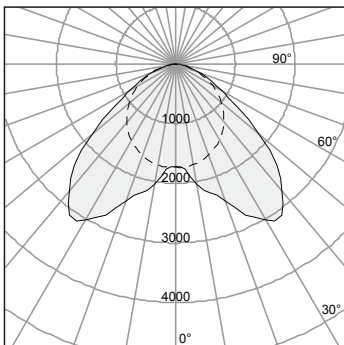
Focus = < 0.9 Spacing Criterion (SC)

Spread = 1.4 to 1.8 Spacing Criterion (SC)

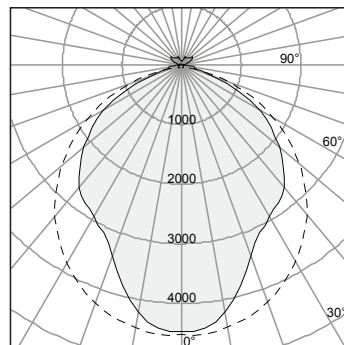
Task = 0.9 to 1.2 Spacing Criterion (SC)

Broad = > 1.8 Spacing Criterion (SC)

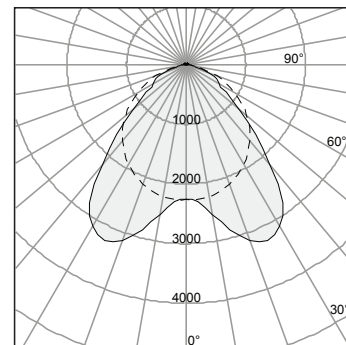
Normal = 1.2 to 1.4 Spacing Criterion



MBR4 2 54T5HO B1X12  
Test #ABA200691\_M  
Fixture Efficiency: 85.4%  
SC Across: 2.0, SC Along: 1.3



MBR4 3 54T5HO T1X20U  
Test #ABA200756\_M  
Fixture Efficiency: 83.7%  
SC Across: 1.0, SC Along: 1.3



MBR4 2 54T5HO S1X12  
Test #ABA200788\_M  
Fixture Efficiency: 86.9%  
SC Across: 1.6, SC Along: 1.3

