



Specifications

Reflectors - Precision formed, high performance, 95% total reflectance, segmented optics utilizing Alanod MIRO® 4 specular aluminum warranted for 25 years. Reflector optics are available in a wide variety of photometric distributions and spacing criteria.

Construction - White one-piece fiberglass housing with integral perimeter channel utilizing continuous poured-in-place closed cell gasket. Internal channel, ends and socket brackets are manufactured from 22-gauge cold rolled steel. Riveted and screwed assembly. Tool-less ballast and wiring access. UL listed for wet locations, rated IP65.

Finish - Standard finish for metal parts are high gloss white baked enamel, pretreated with a 5-stage iron phosphate system.

Ballasts - All standard ballasts are electronic, energy saving, thermally protected, Class-P, HPF, non-PCB, Sound Rated A, UL/CSA certified where applicable and comply with Federal Ballast Law (Public Law 100-357, 1988). Default ballast configuration is for two-lamp ballasts, except for 1-lamp fixtures.

Electrical - UL listed wire, rated for required temperatures, used throughout. Lamps are secured with rotary locking lamp sockets for ease of relamping and to reduce lamps disconnecting due to vibration or incidental contact. Luminaire is bi-national listed (UL 1598 and CSA C22.2 No. 250.0-00) and is suitable for damp locations.

Mounting - The luminaire may be surface mounted or may be suspended by chain or cable. Stainless steel mounting brackets (2 per luminaire), pre-punched for easy field-attachment of bolts, screws, and other mounting hardware are included standard.

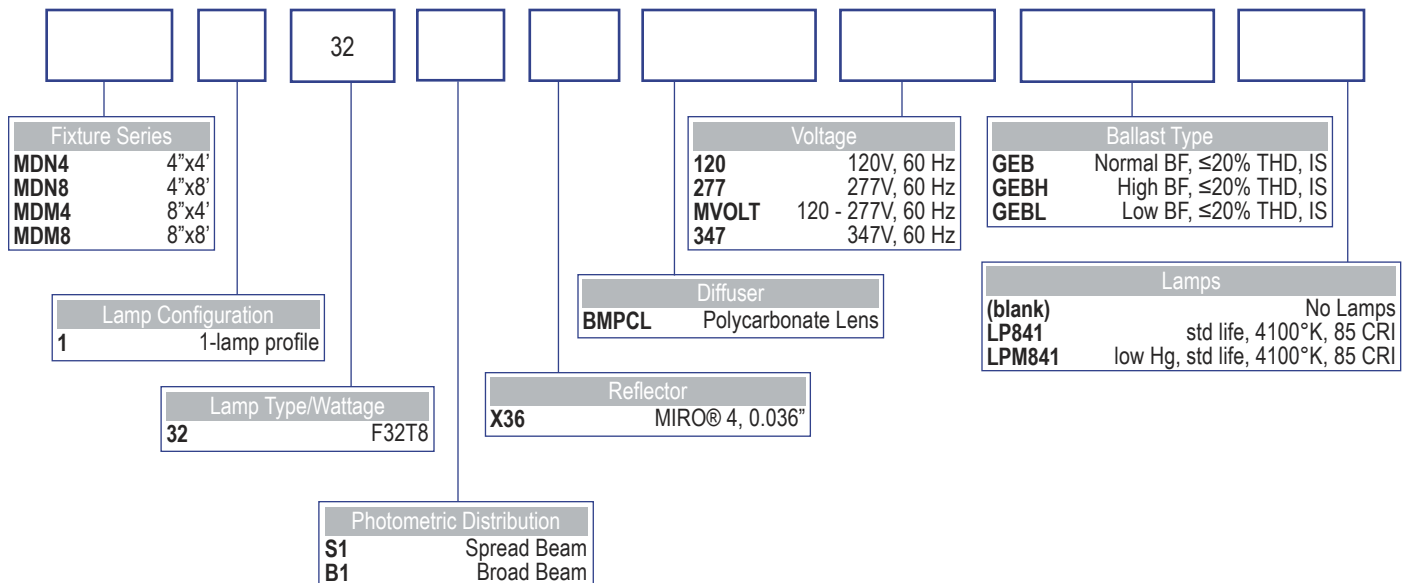
Lamps - Factory installed lamps are available in various CRI ratings, temperature colors and rated life.

Warranty - Standard 1-year warranty for the fixture. Ballasts carry manufacturer warranties of 3-5 years, depending on the application.

Custom Requirements - Consult with your MetalOptics Sales Representatives to develop custom solutions for any application.



Catalog Logic



MMDN48T8LEG0304IS5301

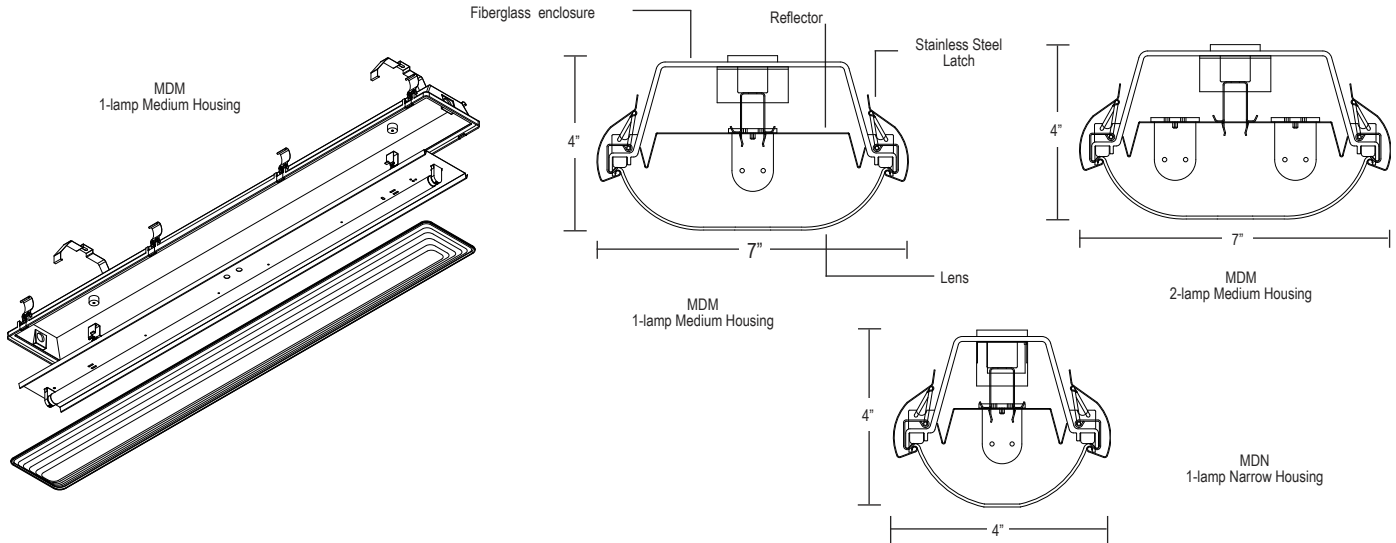




Applications

The MDN/MDM series is an attractive and energy-efficient surface-mount or suspended linear fluorescent luminaire, suitable for wet, damp, and/or cold locations. For challenging situations where relatively low fixture mounting heights and wide fixture spacings are common, such as parking garages, industrial facilities, retail malls, Multi-Purpose Centers, and Airports. The MDN/MDM series luminaire are well suited for projects with limited space for lighting equipment.

Dimensions



Features

With a shallow 4 1/8" depth overall, attractively contoured diffuser obscures lamp image while maintaining high transmission of light. Power connection is easily accommodated through pre-drilled holes at each end, with watertight plugs provided for maximum flexibility. Easily mounted to ceilings and structure or suspended with chain, cable, or rod, using mounting brackets provided.

Additional Options (installed on fixture)

- Battery Pack
- Cord Sets
- Fusing

Accessories (order separately)

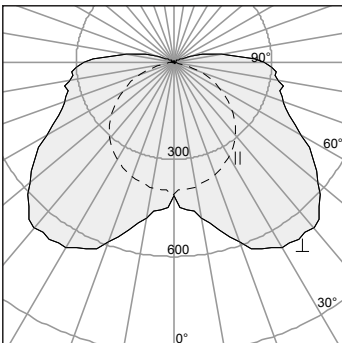
Photometrics

SC Across Definitions:

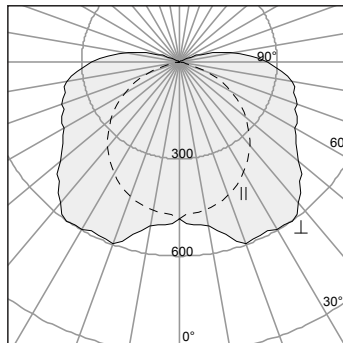
Focus = < 0.9 Spacing Criterion (SC)
 Spread = 1.4 to 1.8 Spacing Criterion (SC)

Task = 0.9 to 1.2 Spacing Criterion (SC)
 Broad = > 1.8 Spacing Criterion (SC)

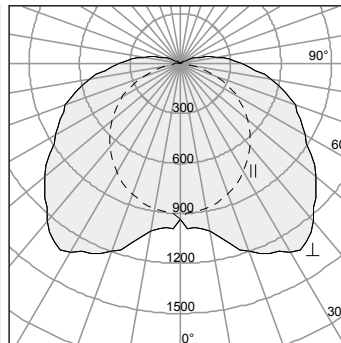
Normal = 1.2 to 1.4 Spacing Criterion



MDM4 1 32 B1X36
 Test #ALP200431M
 Fixture Efficiency: 84.1%
 SC Across: 2.1, SC Along: 1.2



MDM4 1 32 S1X36
 Test #ALP200504M
 Fixture Efficiency: 81.9%
 SC Across: 1.7, SC Along: 1.2



MDM4 2 32 S1X36
 Test #ALP200503M
 Fixture Efficiency: 79.7%
 SC Across: 1.8, SC Along: 1.2

