

Specifications

Reflectors - Precision formed, high performance, 95% total reflectance, segmented optics utilizing Alanod MIRO® 4 specular aluminum warranted for 25 years.

Construction - Channel, ends and socket brackets are manufactured from 22-gauge cold rolled steel. Riveted and screwed assembly. Tool-less ballast and wiring access.

- Optional all aluminum construction, specify AL

Finish - Standard high gloss white baked enamel, pretreated with a 5-stage iron phosphate system. Powder coat after fabrication finish is available in standard high-reflectance white as an option.

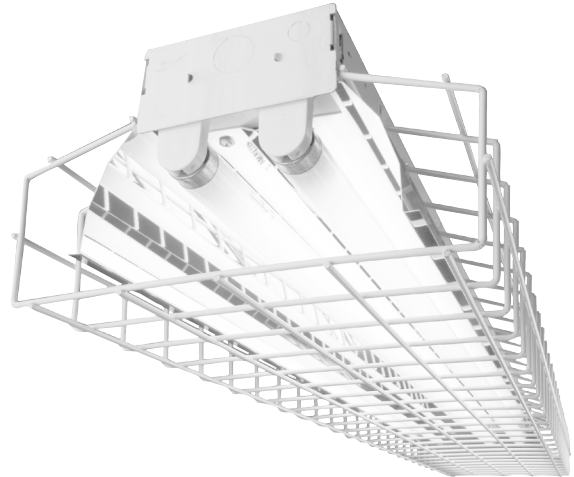
Ballasts - All standard ballasts are electronic, energy saving, thermally protected, Class-P, HPF, non-PCB, Sound Rated A, UL/CSA certified where applicable and comply with © Federal Ballast Law (Public Law 100-357, 1988). Default ballast configuration is for two-lamp ballasts except for 1-lamp fixture.

Electrical - UL listed wire, rated for required temperatures, used throughout. Lamps are secured with rotary locking lamp sockets for ease of relamping and to reduce lamps disconnecting due to vibration or incidental contact. Luminaire is bi-national listed (UL 1598 and CSA C22.2 No. 250.0-00) and is suitable for damp locations.

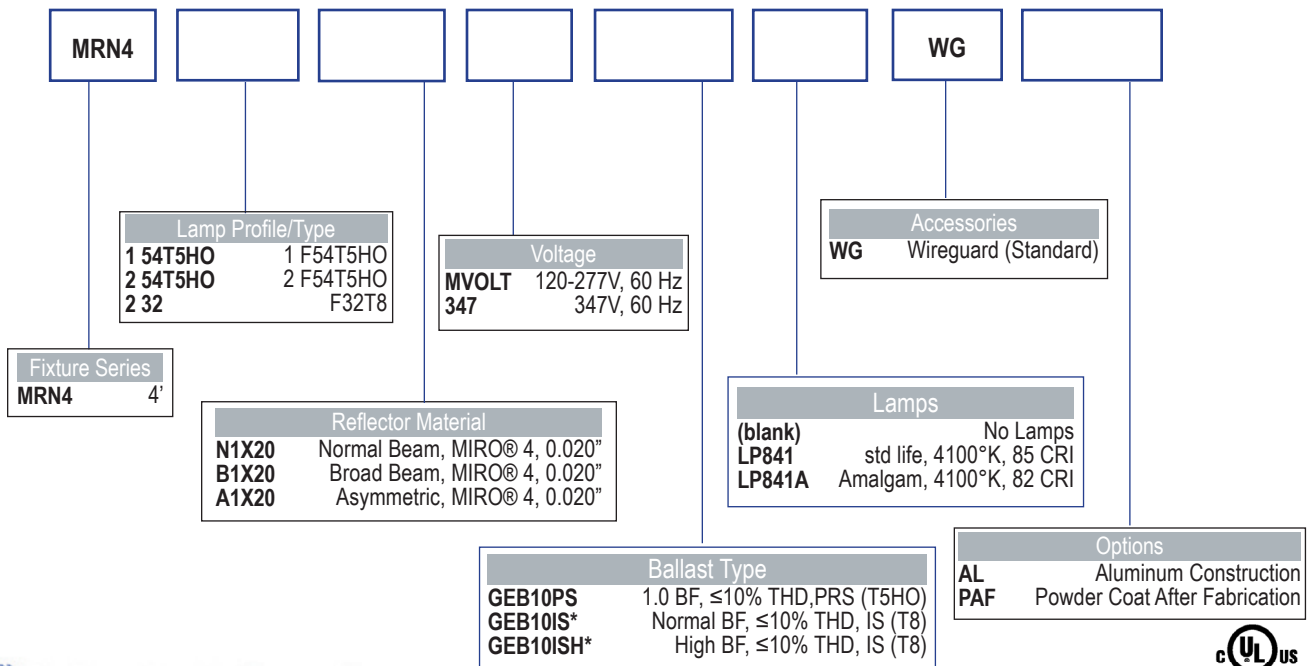
Mounting - The luminaire may be surface mounted or may be suspended by chain or cable. Fixture is not suitable for continuous row mounting.

- Accessories are available.

Warranty - Standard 1-year warranty for the fixture. Ballasts carry manufacturer warranties of 3-5 years, depending on the application.



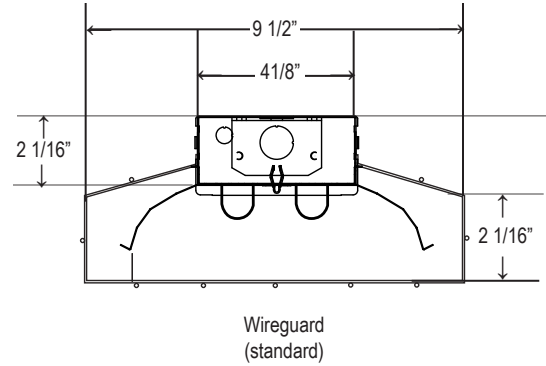
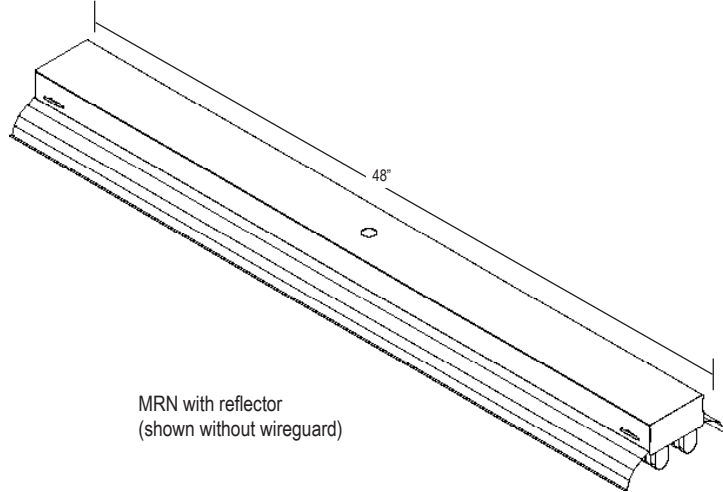
Catalog Logic



Applications

MetalOptics MRN series parking garage strip provides uniformly illuminated space while creating comfort by directing light away from the driving lane. The utilitarian style fixture is intended for applications where security is less of a concern and the performance of fluorescent systems are desired.

Dimensions



Features

Heavy gauge powder-coated wireguards standard. Standard housings fabricated from 22-gauge pre-painted cold-rolled steel. Fixtures are available with normal beam optics for increasing lighting levels at entrances, elevator lobbies pedestrian waiting areas and stairwells.

Additional Options (installed on fixture)

- Battery Pack
- Reloc
- Motion Sensor
- Cord Sets
- Fusing

Accessories (order separately)

- Chain Hanger, 36"
- Safety Chain, 24"
- Aircraft Cable, 2-toggle, 18" legs, 10'
- * 2 hangers/kit
- MHHC*
- SCKSD
- MHYTGB10 *

Photometrics

SC Across Definitions:

Focus = < 0.9 Spacing Criterion (SC)
Spread = 1.4 to 1.8 Spacing Criterion (SC)

Task = 0.9 to 1.2 Spacing Criterion (SC)
Broad = > 1.8 Spacing Criterion (SC)

Normal = 1.2 to 1.4 Spacing Criterion

Consult Factory for Photometrics