



Specifications

Reflectors - Precision formed, high performance, 95% total reflectance, segmented optics utilizing Alanod MIRO® 4 specular aluminum warranted for 25 years. Reflector optics are available in a wide variety of photometric distributions and spacing criteria. Suitable for mounting heights up to 25 feet.

- Optional heavy gauge reflector material is available for more demanding applications.

Construction - Channel, ends and socket brackets are manufactured from 22-gauge cold rolled steel. Tool-less ballast and wiring access.

- Custom all aluminum construction, specify AL and PAF.

Finish - Standard high gloss white baked enamel, pretreated with a 5-stage iron phosphate system.

- Optional premium polyester powder coat finish, utilizing a 7-stage pretreatment process of iron phosphate, a non-chromium sealer and a de-ionized water rinse to provide superior adhesion and corrosion resistance. Specify PAF (powder coat after fabrication).
- Optional galvanized steel finishes are available utilizing steel galvanized before fabrication, specify GALV.

Ballasts - All standard ballasts are electronic, energy saving, thermally protected, Class-P, HPF, non-PCB, Sound Rated A, UL/CSA certified where applicable and comply with 4 Federal Ballast Law (Public Law 100-357, 1988). Default ballast configuration is for 2-lamp ballasts except for 1-lamp fixtures.

Electrical - UL listed wire, rated for required temperatures, used throughout. Lamps are secured with rotary locking lamp sockets for ease of relamping and to reduce lamps disconnecting due to vibration or incidental contact. Luminaire is bi-national listed (UL 1598 and CSA C22.2 No. 250.0-00) and is suitable for damp locations.

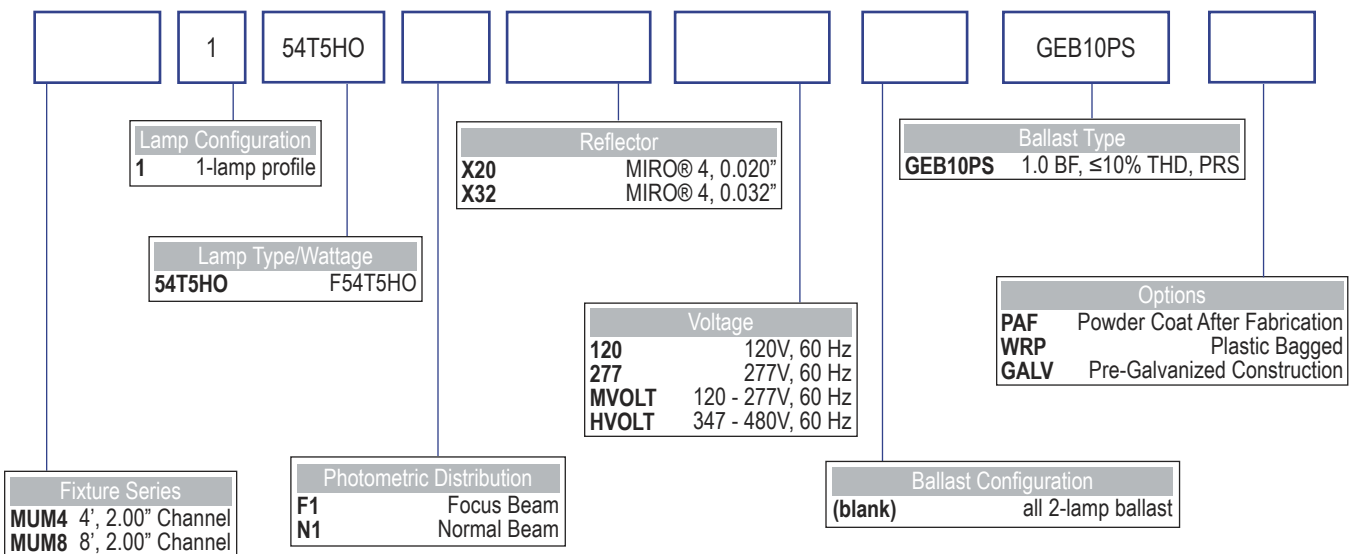
Mounting - The luminaire may be surface mounted or may be suspended by chain or cable.

- Accessories are available.

Warranty - Standard 1-year warranty for the fixture. Ballasts carry manufacturer warranties of 3-5 years, depending on the application.



Catalog Logic



MMUM48T5OS08ISZ701



Applications

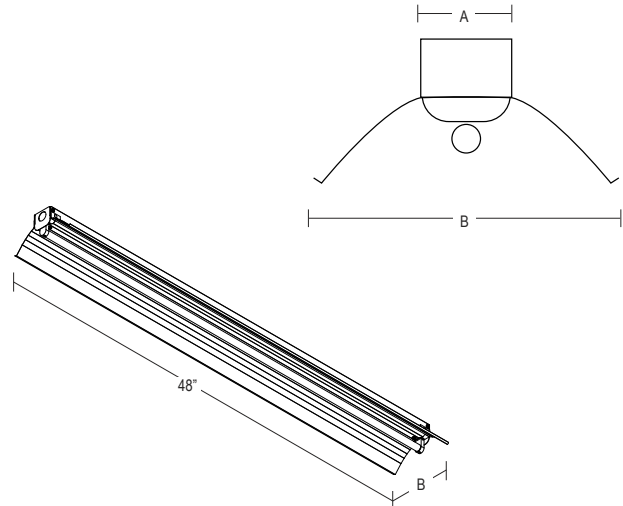
MUM luminaires are designed to deliver peak optical performance with maximum efficiency and beam control in industrial, commercial and institutional applications with mounting height up to 25'. Using high performance optics can reduce and the number of fixtures required and maximize energy savings.

MUM Reflector Options

Dimensions

One Lamp T5

Distribution	Fixture Nomenclature	Channel Width (A)	Reflector Width (B)	Test Number
Focus	MUM	2"	6.75"	ALP200244_M.ies
Normal	MUM	2"	6.2"	ALP200229_M.ies



Features

High fixture efficiency and optical control deliver the peak candlepower needed to produce desired illumination levels from high mounting heights.

- Instant on/off control
- Improved horizontal and vertical illumination
- Long life - up to 20,000 hours
- 90+ maintained Lumens per watt
- Energy savings of 25% or more vs. HID fixtures

Additional Options (installed on fixture)

- Battery Pack
- Reloc
- Cord Sets
- Fusing

Accessories (order separately)

- Chain Hanger, 36"
 - Safety Chain, 24"
 - Aircraft Cable, 2-toggle, 18" legs, 10'
 - HSD36 *
 - SCKSD
 - MHTGA10 *
- * 2 hangers/kit

Photometrics

SC Across Definitions:

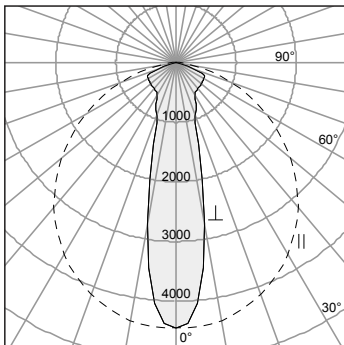
Focus = < 0.9 Spacing Criterion (SC)

Spread = 1.4 to 1.8 Spacing Criterion (SC)

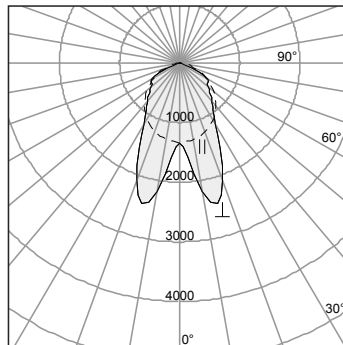
Task = 0.9 to 1.2 Spacing Criterion (SC)

Broad = > 1.8 Spacing Criterion (SC)

Normal = 1.2 to 1.4 Spacing Criterion



MUM 1 54T5HO F1X20
 Test #ALP200244M
 Fixture Efficiency: 104.1%
 Spacing Criteria: 0.4



MUM 1 54T5HO N1X20
 Test #ALP200229M
 Fixture Efficiency: 104.1%
 Spacing Criteria: 0.4

