



### Specifications

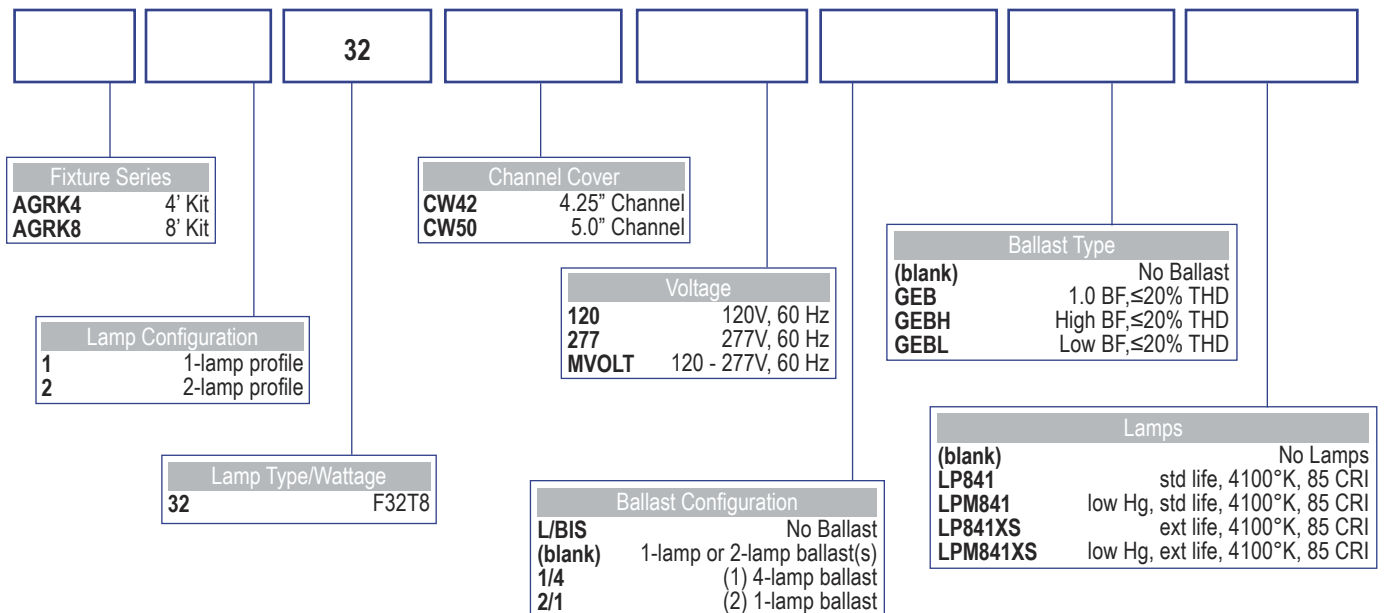
**Channel Cover** - The channel cover is formed from cold rolled, pre-painted steel with a total reflectance of 90 percent. Optional post painted white polyester powder coat finish with a total reflectance of +93 percent is available. The steel is first pre-treated utilizing a seven stage pretreatment of a hot detergent wash, iron phosphate coating, a non-chromium sealer, and a de-ionized rinse to provide maximum adhesion and corrosion resistance.

**Mounting** - The (insert fixture name) mounts easily, requiring only simple hand tools. The process includes removal of the existing ballast cover(s) and removal of the existing socket brackets and ballast. The new channel cover is then attached to the existing strip channel with a universal socket bracket and self-tapping screws. Six mounting holes are provided. The AGRK strip conversion kit serves as the ballast cover. Remove the "quick access" ballast cover (new ballast attached) and connect the power leads. Close the ballast cover using captive quarter turns and install lamps.

**Electrical** - Lamps are secured with rotary locking lamp sockets for ease of relamping and to reduce lamps disconnecting due to vibration or incidental contact. Kit is bi-national listed (UL 1598 and CSA C22.2 No. 250.0-00) and is suitable for damp locations. Lamp socket accepts No. 18 gauge wire, either solid, solder dipped or twisted-tinned or fuse wire.

**Approval** - UL Listed as luminaire conversion, retrofit.

### Catalog Logic



MAGRK48T8RO2RK1201

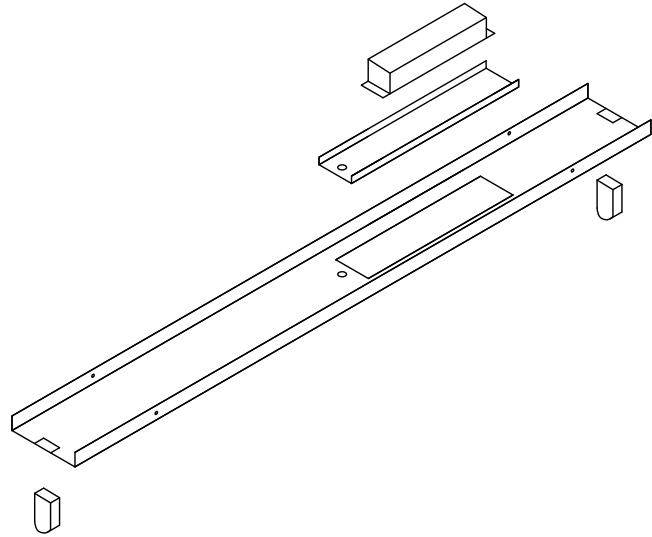
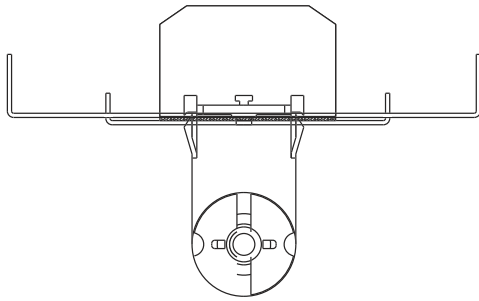




**Applications**

MetalOptic's AGRK series strip conversion kit is designed to provide maximum efficiency to meet fluorescent fixture lighting standards for retail, industrial and commercial applications. The AGRK easily converts existing 4' and 8' fluorescent strip fixtures to enhance light levels. The AGRK strip conversion kit maximizes fixture efficiency and provides uniform light distribution.

**Dimensions**



**Features**

Preassembled in 4' or 8' nominal lengths, also available in a variety of lamp configurations. The AGRK strip conversion kit is designed to fit most commercial fluorescent strip fixtures and installs with simple hand tools. The AGRK strip conversion kit includes a "Quick Access" ballast cover secured with captive turn fasteners and safety cables. The AGRK strip conversion kit includes channel cover, sockets, ballast and pre-wired for quick installation.

**Photometrics**

SC Across Definitions:

Focus = < 0.9 Spacing Criterion (SC)  
Spread = 1.4 to 1.8 Spacing Criterion (SC)

Task = 0.9 to 1.2 Spacing Criterion (SC)  
Broad = > 1.8 Spacing Criterion (SC)

Normal = 1.2 to 1.4 Spacing Criterion

Consult Factory For Photometrics

