

Specifications

Reflectors - Precision formed, high performance, 95% total reflectance, segmented optics utilizing Alanod MIRO® 4 specular aluminum warranted for 25 years. White reflectors have 93+% total reflectance and are finished with an in-house polyester powder coating system.

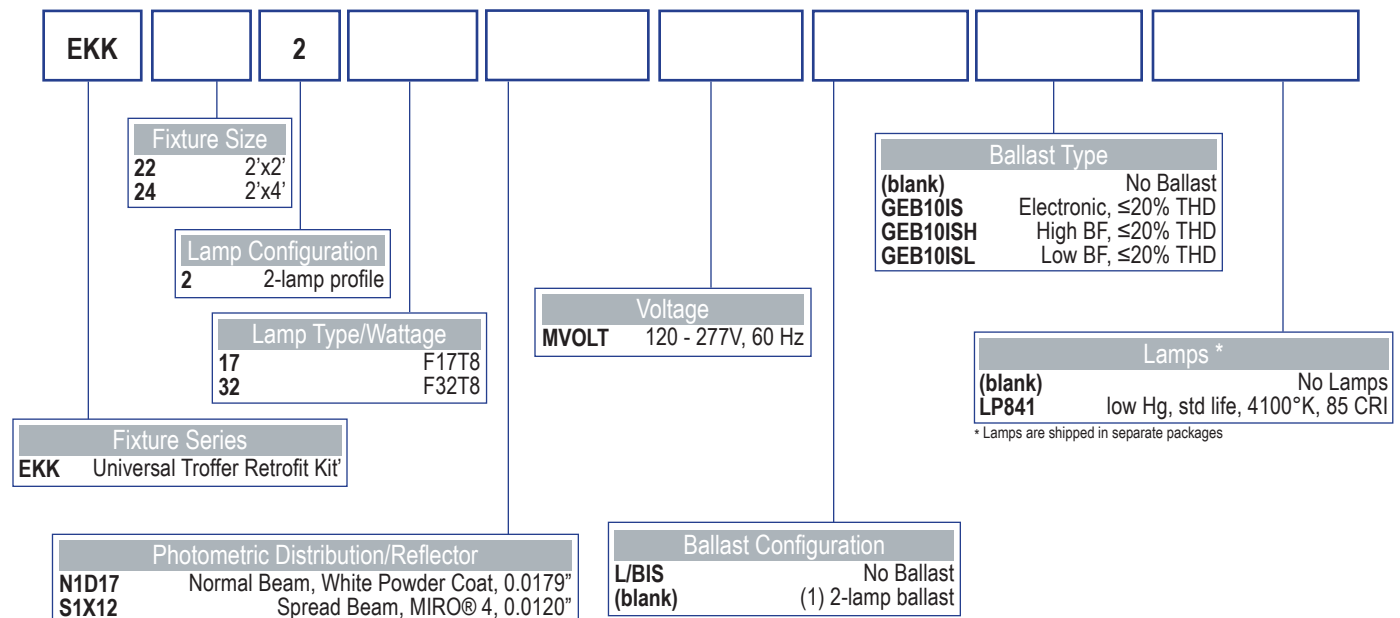
Socket Brackets - White pre-painted die formed 22 gauge steel socket brackets are universal fit in most troffers. Socket Brackets may be mounted to end plates or roof of existing fixture.

Mounting - The EKK universal troffer retrofit kit installs quickly. Only 4 self-tapping screws are required to fasten socket brackets to the fixture.

Electrical - Lamps are secured with rotary locking lamp sockets for ease of relamping and to reduce lamps disconnecting due to vibration or incidental contact. Kit is bi-national listed (UL 1598 and CSA C22.2 No. 250.0-00) and is suitable for damp locations. Lamp socket accepts No. 18 gauge wire, either solid, solder dipped or twisted-tinned or fuse wire.

Approvals - UL Listed as luminaire conversion, retrofit.

Catalog Logic



MEKK24T8LR01RK0202

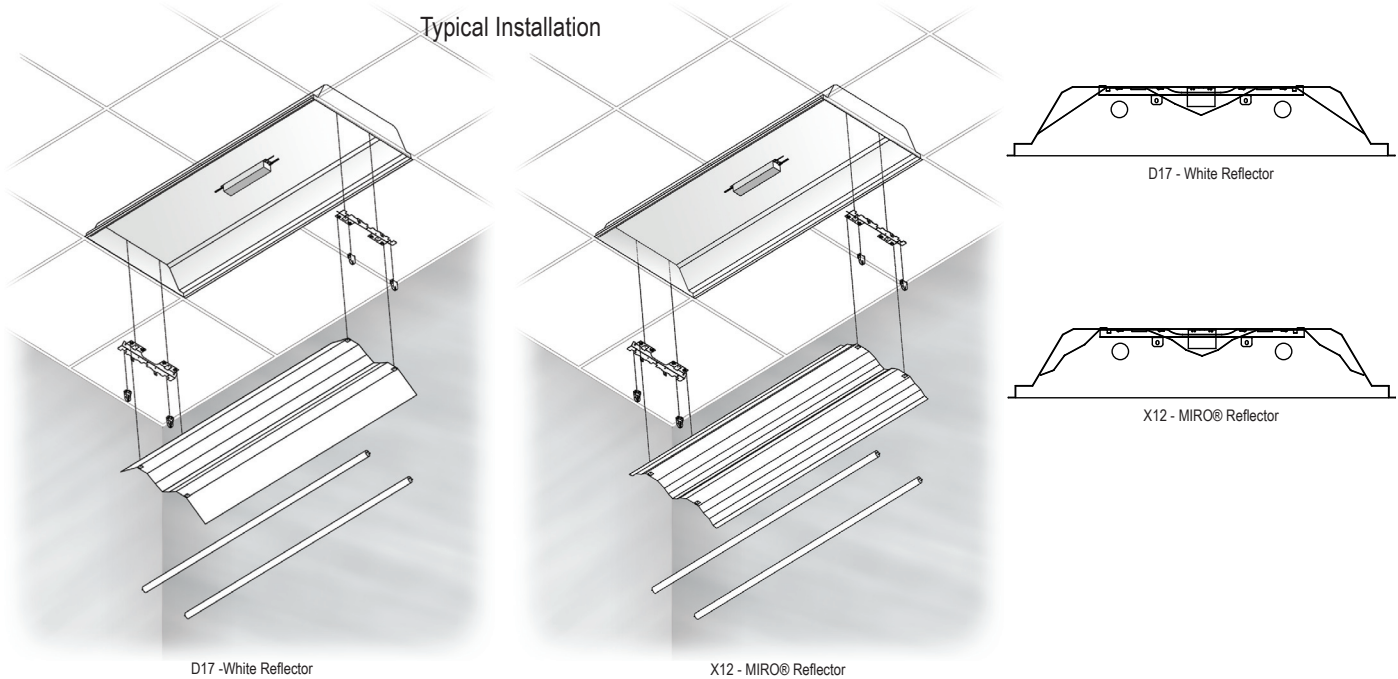




Applications

The EKK series universal troffer retrofit kit is designed to meet fluorescent fixture standards to provide maximum efficiency and full, even lamp imaging from below. This series delivers the highest light levels for general lighting retrofits of normally spaced 2x2 and 2x4 recessed troffer fixtures. Typical applications include offices, classrooms, hospitals, and commercial areas.

Dimensions



Features

The EKK universal retrofit kit is designed to easily fit most commercial fluorescent troffers, and installs with simple hand tools. The EKK reflector is designed to meet UL classification as a ballast cover. The EKK reflector extends the width and length of the fixture interior to maximize light output. Reflectors are secured to the socket bracket with die formed lances for easy removal for ballast maintenance.

Photometrics

SC Across Definitions:

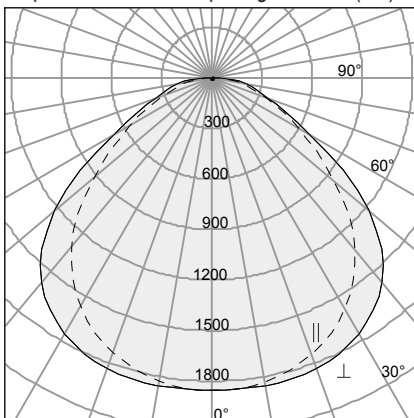
Focus = < 0.9 Spacing Criterion (SC)

Spread = 1.4 to 1.8 Spacing Criterion (SC)

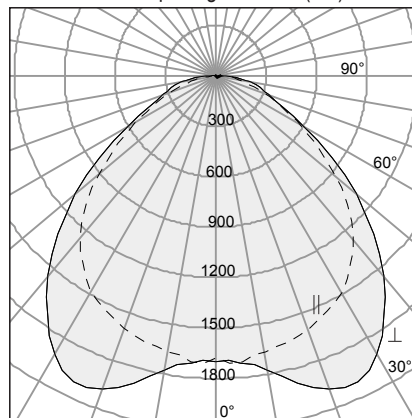
Task = 0.9 to 1.2 Spacing Criterion (SC)

Broad = > 1.8 Spacing Criterion (SC)

Normal = 1.2 to 1.4 Spacing Criterion



EKK24 2 32 N1D17
Test #200250M
Fixture Efficiency: 85.4%
SC Across: 1.3, SC Along: 1.4



EKK24 2 32 S1X12
Test #200253M
Fixture Efficiency: 82.4%
SC Across: 1.3, SC Along: 1.5

