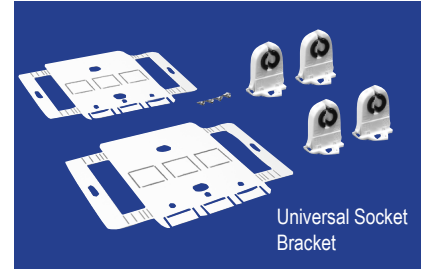


NEW One-piece Socket Bracket

Simply center the socket bracket and bend the sides to fit. 8' kit now only requires 3 socket brackets, new design can be used as end or center brackets.



Channel Cover



Universal Socket Bracket

Specifications

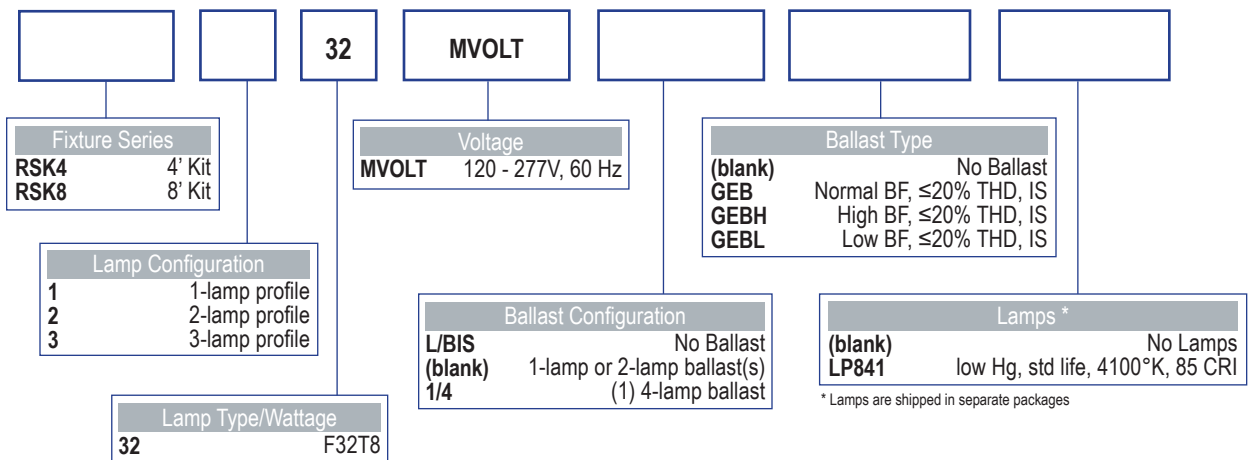
Channel Cover - The channel cover is manufactured from 26-gauge cold rolled steel. Cover is post painted white polyester powder coat finish with a total reflectance of +93 percent. The steel is first pre-treated utilizing a seven stage pretreatment process of iron phosphate, a non-chromium sealer, and a de-ionized water rinse to provide superior adhesion and corrosion resistance.

Mounting - The RSK universal strip retrofit kit mounts easily, requiring only simple hand tools. The process includes removal of the existing ballast cover(s) and removal of the existing socket brackets and ballast. The new channel cover is then attached to the existing strip channel with a universal socket bracket and self-tapping screws. The universal socket bracket can fit channels from 4" to 5 1/4" in width. The RSK strip retrofit kit serves as the ballast cover. Mount and connect new ballast to sockets. Close the ballast cover using captive quarter turns and install lamps.

Electrical - Lamps are secured with rotary locking lamp sockets for ease of relamping and to reduce lamps disconnecting due to vibration or incidental contact. Kit is bi-national listed (UL 1598 and CSA C22.2 No. 250.0-00) and is suitable for damp locations. Lamp socket accepts No. 18 gauge wire, either solid, solder dipped or twisted-tinned or fuse wire.

Approval - UL Listed as luminaire conversion, retrofit.

Catalog Logic



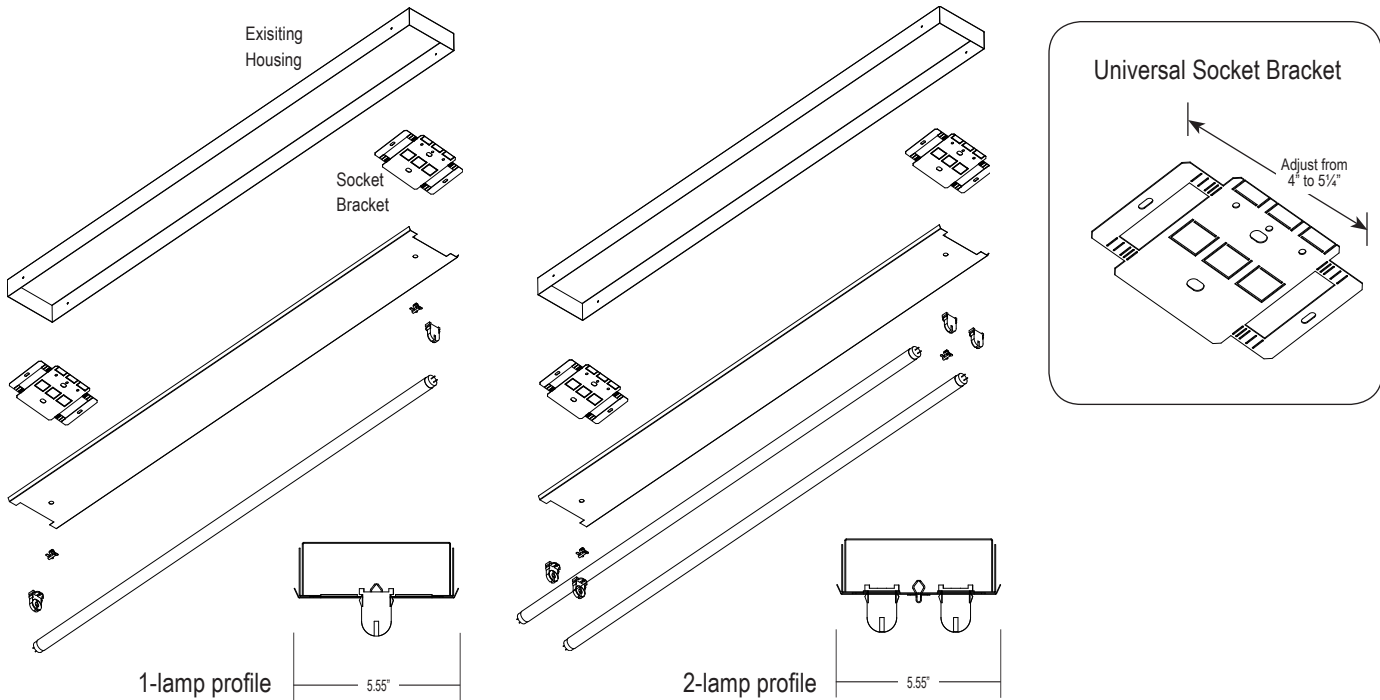
MRSK48T8R20RK0402



Applications

The RSK series universal strip retrofit kit is designed to provide maximum efficiency to meet fluorescent fixture lighting standards for retail, industrial and commercial applications. The RSK easily converts existing 4' and 8' fluorescent strip fixtures to enhance light levels and lower energy consumption. The RSK strip retrofit kit maximizes fixture efficiency and provides uniform light distribution.

Dimensions



Features

The RSK Universal Retrofit Kit is designed for 4' or 8' fluorescent industrial and strip fixtures and installs with simple hand tools. The universal socket bracket is designed for simple fit up to most standard fluorescent channels from 4" to 5 1/4" in width. The Channel Cover mounts to final wired socket brackets with 2 quarter-turn fasteners for easy maintenance after retrofit is complete. Components are shipped separately in unit packages.

Photometrics

SC Across Definitions:

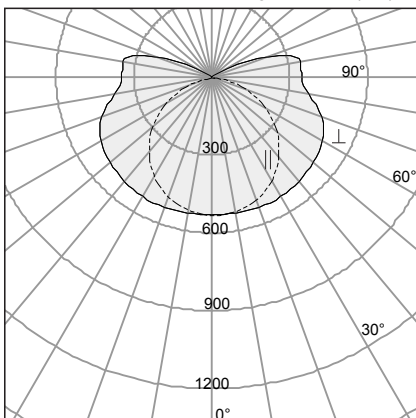
Focus = < 0.9 Spacing Criterion (SC)

Spread = 1.4 to 1.8 Spacing Criterion (SC)

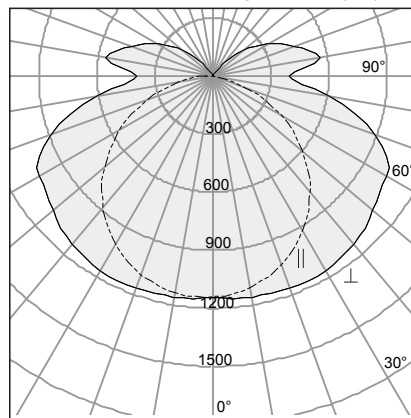
Task = 0.9 to 1.2 Spacing Criterion (SC)

Broad = > 1.8 Spacing Criterion (SC)

Normal = 1.2 to 1.4 Spacing Criterion



RSK4 1 32
Test #T1220MR
Fixture Efficiency: 90.1%
SC Across: 1.5, SC Along: 1.3



RSK4 2 32
Test #T1220MR
Fixture Efficiency: 93.6%
SC Across: 1.5, SC Along: 1.3

