

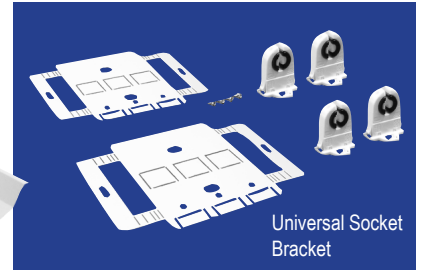
**NEW** One-piece Socket Bracket

Simply center the socket bracket and bend the sides to fit. 8' kit now only requires 3 socket brackets, new design can be used as end or center brackets.



D17 - White Reflector

X20 - MIRO® Reflector



Universal Socket Bracket

## Specifications

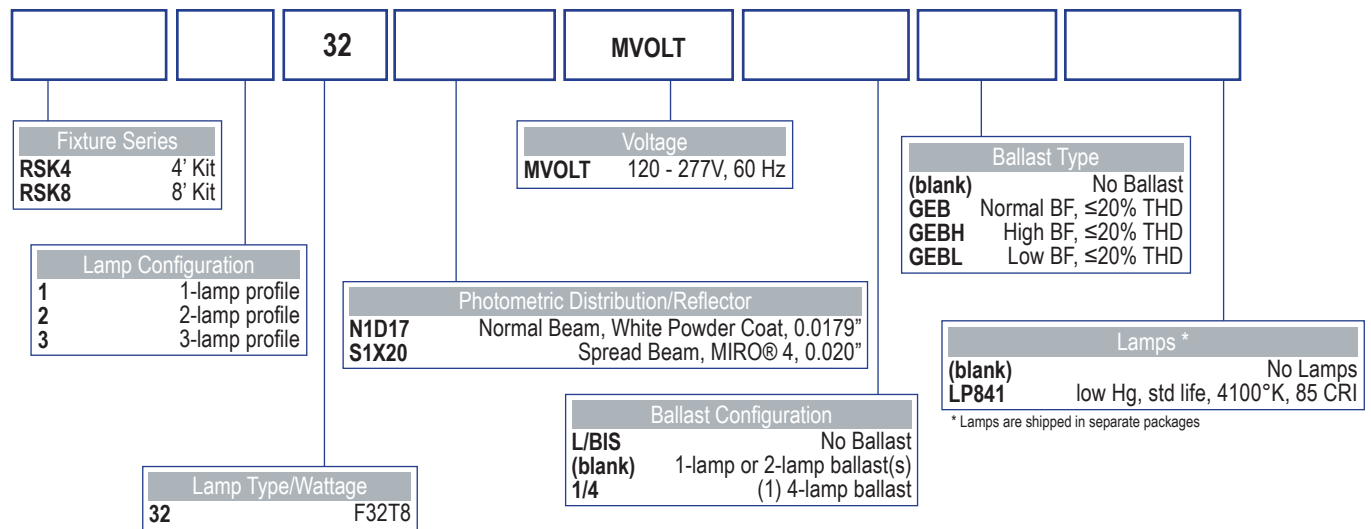
**Reflectors** - Precision formed, high performance, 95% total reflectance, segmented optics utilizing Alanod MIRO® 4 specular aluminum warranted for 25 years. White reflectors have 93+% total reflectance and are finished with an in-house polyester powder coating system.

**Mounting** - The RSK universal strip retrofit kit mounts easily, requiring only simple hand tools. The process includes removal of the existing ballast cover(s) and removal of the existing socket brackets and ballast. The new channel cover is then attached to the existing strip channel with a universal socket bracket and self-tapping screws. The universal socket bracket can fit channels from 4" to 5 1/4" in width. The RSK strip retrofit kit serves as the ballast cover. Mount and connect new ballast to sockets. Close the ballast cover using captive quarter turns and install lamps.

**Electrical** - Lamps are secured with rotary locking lamp sockets for ease of relamping and to reduce lamps disconnecting due to vibration or incidental contact. Kit is bi-national listed (UL 1598 and CSA C22.2 No. 250.0-00) and is suitable for damp locations. Lamp socket accepts No. 18 gauge wire, either solid, solder dipped or twisted-tinned or fuse wire.

**Approval** - UL Listed as luminaire conversion, retrofit.

## Catalog Logic



MRSK48T8RR20RK30603

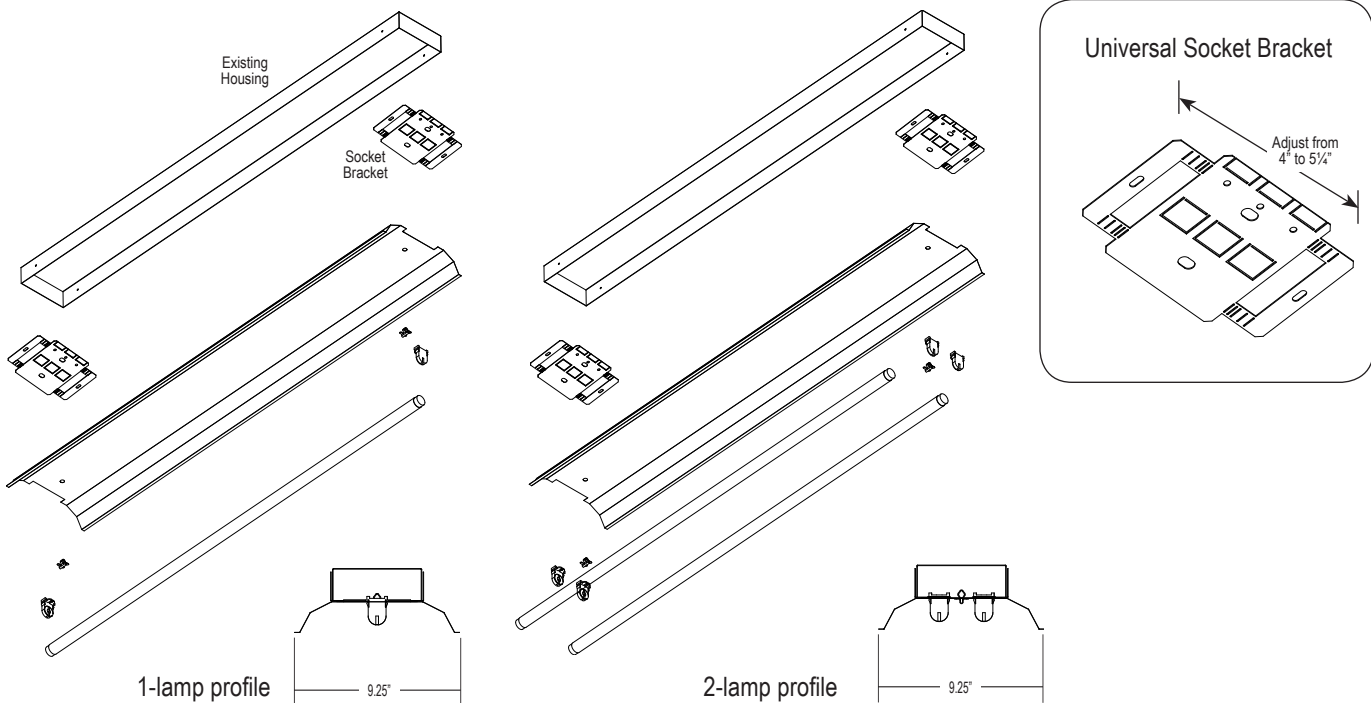




## Applications

MetalOptic's RSK strip retrofit kit is designed to provide maximum efficiency lighting for retail, industrial and commercial applications. RSK easily converts existing 4' and 8' strips to enhance light levels. The RSK strip retrofit kit maximizes fixture efficiency and provides uniform light distribution.

## Dimensions



## Features

The RSK Universal Retrofit Kit is designed for 4' or 8' fluorescent industrial and strip fixtures and installs with simple hand tools. The universal socket bracket is designed for simple fit up to most standard fluorescent channels from 4" to 5 1/4" in width. The Reflector mounts to final wired socket brackets with 2 quarter-turn fasteners for easy maintenance after retrofit is complete. Components are shipped separately in unit packages.

## Photometrics

SC Across Definitions:

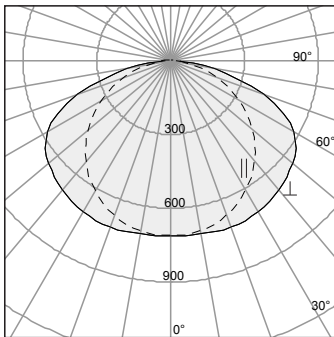
Focus = < 0.9 Spacing Criterion (SC)

Spread = 1.4 to 1.8 Spacing Criterion (SC)

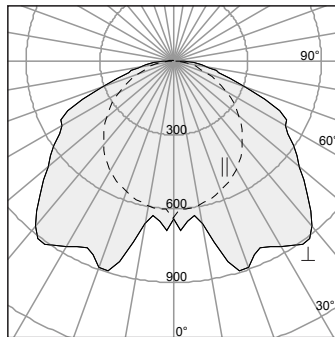
Task = 0.9 to 1.2 Spacing Criterion (SC)

Broad = > 1.8 Spacing Criterion (SC)

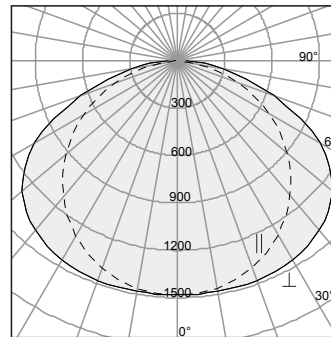
Normal = 1.2 to 1.4 Spacing Criterion



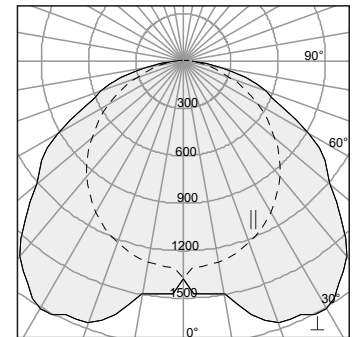
RSK4 1 32 N1D17  
Test #ALP200466MR  
Fixture Efficiency: 91.2%  
SC Across: 1.5, SC Along: 1.3



RSK4 1 32 S1X20  
Test #ALP200465MR  
Fixture Efficiency: 94.1%  
SC Across: 1.8, SC Along: 1.2



RSK4 2 32 N1D17  
Test #ALP200463MR  
Fixture Efficiency: 89.9%  
SC Across: 1.5, SC Along: 1.3



RSK4 2 32 S1X20  
Test #ALP200462MR  
Fixture Efficiency: 91.6%  
SC Across: 1.7, SC Along: 1.2

