



Specifications

Construction - Channel, ends and socket brackets are manufactured from 22-gauge cold rolled steel. Optional 20 gauge construction.

Finish - Standard paint after fabrication premium polyester powder coat finish, utilizing a 7-stage pretreatment process of iron phosphate, a non-chromium sealer and a de-ionized water rinse to provide superior adhesion and corrosion resistance.

Ballasts - All standard ballasts are electronic, energy saving, thermally protected, Class-P, HPF, non-PCB, Sound Rated A, UL/CSA certified where applicable and comply with © Federal Ballast Law (Public Law 100-357, 1988). Default ballast configuration for two-lamp ballasts.

Electrical - UL listed wire, rated for required temperatures, used throughout. Lamps are secured with rotary locking lamp sockets for ease of relamping and to reduce lamps disconnecting due to vibration or incidental contact and is suitable for damp locations.

Lamp Shielding - Acrylic prismatic diffuser.

Mounting - Designed for ceiling or wall surface mount.

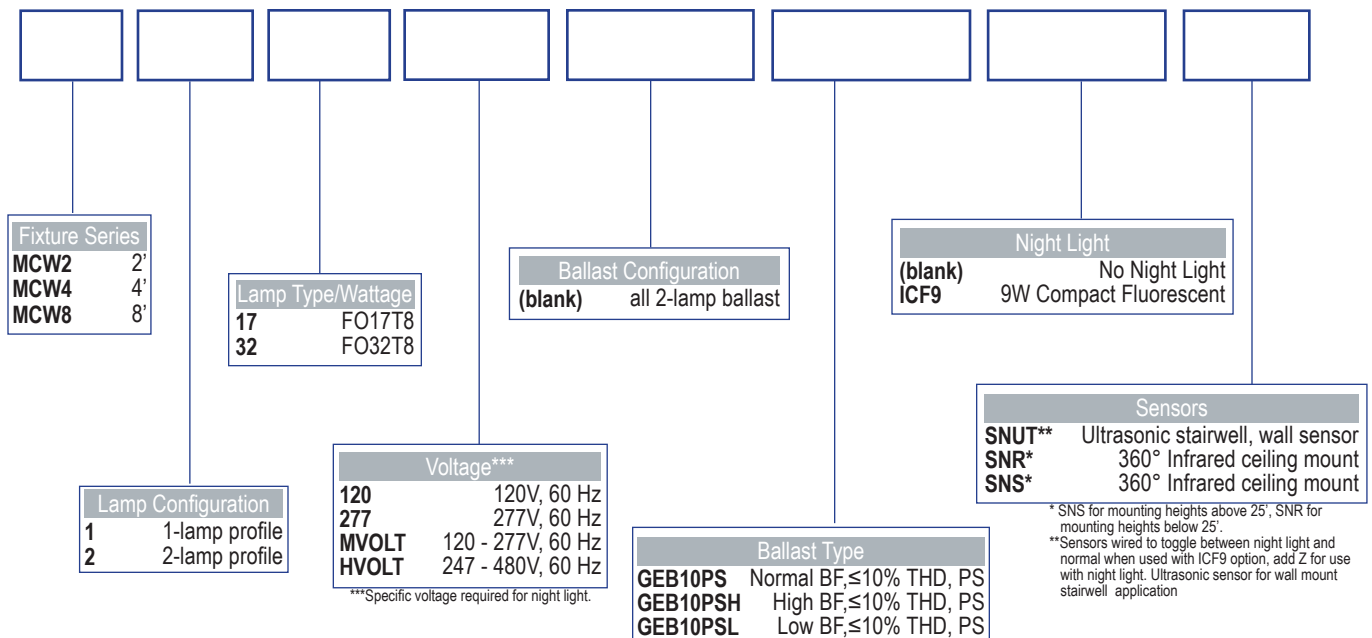
Lamps - Factory installed lamps are available in various CRI ratings, temperature colors and rated life.

Warranty - Standard 1-year warranty for the fixture. Ballasts carry manufacturer warranties of 3-5 years, depending on the application.

Custom Requirements - Consult with your MetalOptics Agent to develop custom solutions for any application.



Catalog Logic



MMCWT8WA0802

Other sensors options available please contact your MetalOptics representative for more information.

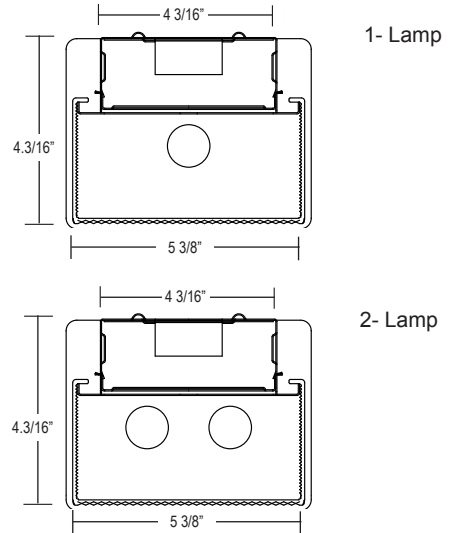
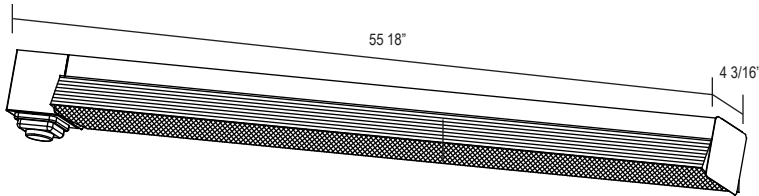




Applications

MetalOptics MCW series luminaires are designed for maximum energy efficiency for corridors, stairwells or hospitality environments. The integral motion sensor and compact fluorescent night light option provide greater specification flexibility.

Dimensions



Features

High fixture efficiency and optical control deliver the peak candlepower needed to produce non-glare illumination levels from low mounting heights.

- Improved horizontal and vertical illumination
- Long-life - up to 30,000 hours

Additional Options (installed on fixture)

- Pre-Installed lamps
- Cord Sets
- Sensor
- Night-Light

Accessories (order separately)

- Chain Hanger, 36" (2 hangers/kit) **HSD36**

