

Specifications

Reflectors - Precision formed, high performance, 95% total reflectance, segmented optics utilizing Alanod MIRO® 4 specular aluminum warranted for 25 years.

Construction - Backplate is manufactured from 20 gauge cold rolled steel.
 • Optional all aluminum construction, specify AL
 • Optional heavy gauge steel body. Specify 18GA.

Finish - Premium polyester powder coat finish, utilizing a 7-stage pretreatment process of iron phosphate, a non-chromium sealer and a de-ionized water rinse to provide superior adhesion and corrosion resistance.

Ballasts - All standard ballasts are electronic, energy saving, thermally protected, Class-P, HPF, non-PCB, Sound Rated A, UL/CSA certified where applicable and comply with Ⓢ Federal Ballast Law (Public Law 100-357, 1988). Default ballast configuration is for (1) two-lamp ballast.

Electrical - UL listed wire, rated for required temperatures, used throughout. Lamps are secured with rotary locking lamp sockets for ease of relamping and to reduce lamps disconnecting due to vibration or incidental contact. Luminaire is bi-national listed (UL 1598 and CSA C22.2 No. 250.0-00) and is suitable for wet locations.

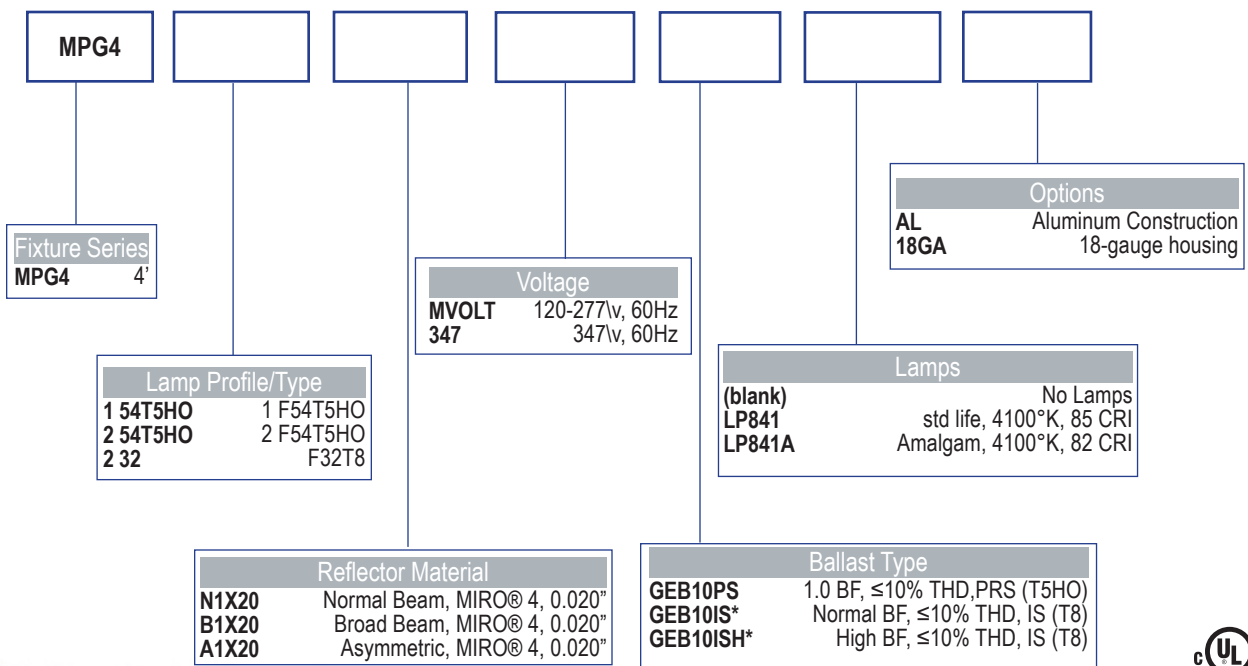
Mounting - The luminaire is designed for surface, pendant, or chain mount.
 • Surface conduit entry lens knockouts and rubber gasket standard.

Lamps - Factory installed lamps are available in various CRI ratings, temperature colors and rated life.

Warranty - Standard 1-year warranty for the fixture. Ballasts carry manufacturer warranties of 3-5 years, depending on the application.



Catalog Logic



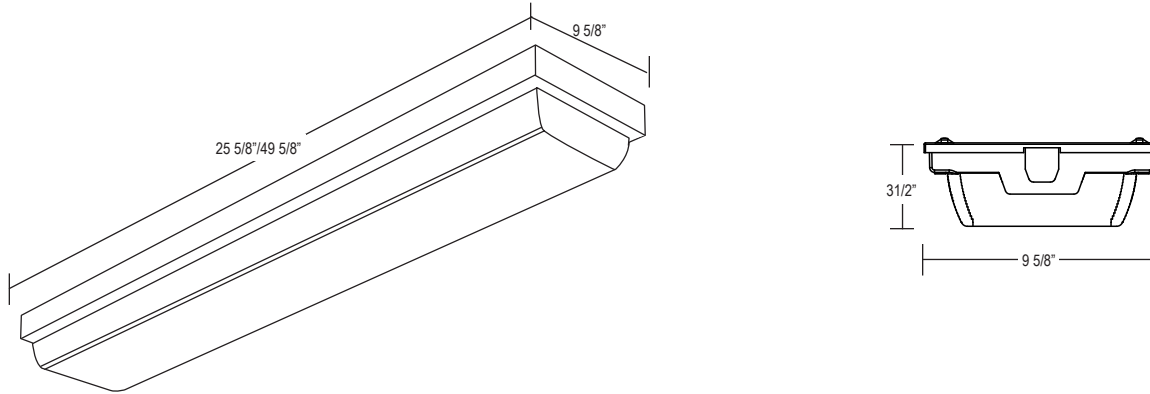
* T8 only.



Applications

MetalOptics MPG series parking garage luminaire combines high efficiency with internal specular reflectors for improved lighting uniformity over HID systems. The refractive lens directs light away from the driving lane. The simple low-profile design integrates well into the low-ceiling environments found in parking structures.

Dimensions



Features

Low-profile rugged polycarbonate full-cover lens housing with post-painted steel back plate for a high level of security and durability. Double gasketed and sealed luminaire with IP65 rated wet location UL listing. Luminaire designs are engineered for heat management and tested in an in-house thermal chamber for environments up to 40°C ambient temperature. Matching fixtures are available with normal optics for increasing lighting levels at entrances, elevator lobbies pedestrian waiting areas and stairwells.

Additional Options (installed on fixture)

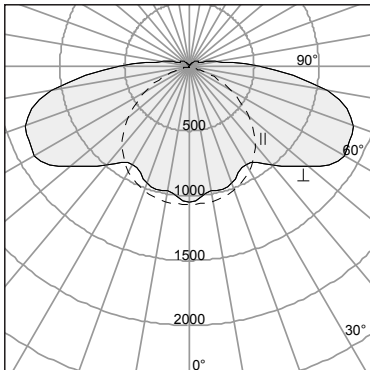
- Fusing

Accessories (order separately)

- HSD36 Chain Hanger, 36"
- Integral Battery Pack not available, externally mounted only (by others)

Photometrics

SC Across Definitions:
 Broad => 1.8 Spacing Criterion (SC)



MPG4 2 54T5HO B1X20
 Test #ALP200251M
 Fixture Efficiency: 61.8%