

Specifications

Reflectors - Optional Internal Reflector is precision formed, high performance, 95% total reflectance, segmented optics utilizing Alanod MIRO® 4 specular aluminum warranted for 25 years.

Construction - Channel, ends and socket brackets are manufactured from 22-gauge cold rolled steel. Tool-less ballast and wiring access.

Finish - Standard high gloss white baked enamel, pretreated with a 5-stage iron phosphate system.

Ballasts - All standard ballasts are electronic, energy saving, thermally protected, Class-P, HPF, non-PCB, Sound Rated A, UL/CSA certified where applicable and comply with © Federal Ballast Law (Public Law 100-357, 1988). Default ballast configuration is for two-lamp ballasts.

Electrical - UL listed wire, rated for required temperatures, used throughout. Lamps are secured with rotary locking lamp sockets for ease of relamping and to reduce lamps disconnecting due to vibration or incidental contact. Luminaire is bi-national listed (UL 1598 and CSA C22.2 No. 250.0-00) and is suitable for damp locations.

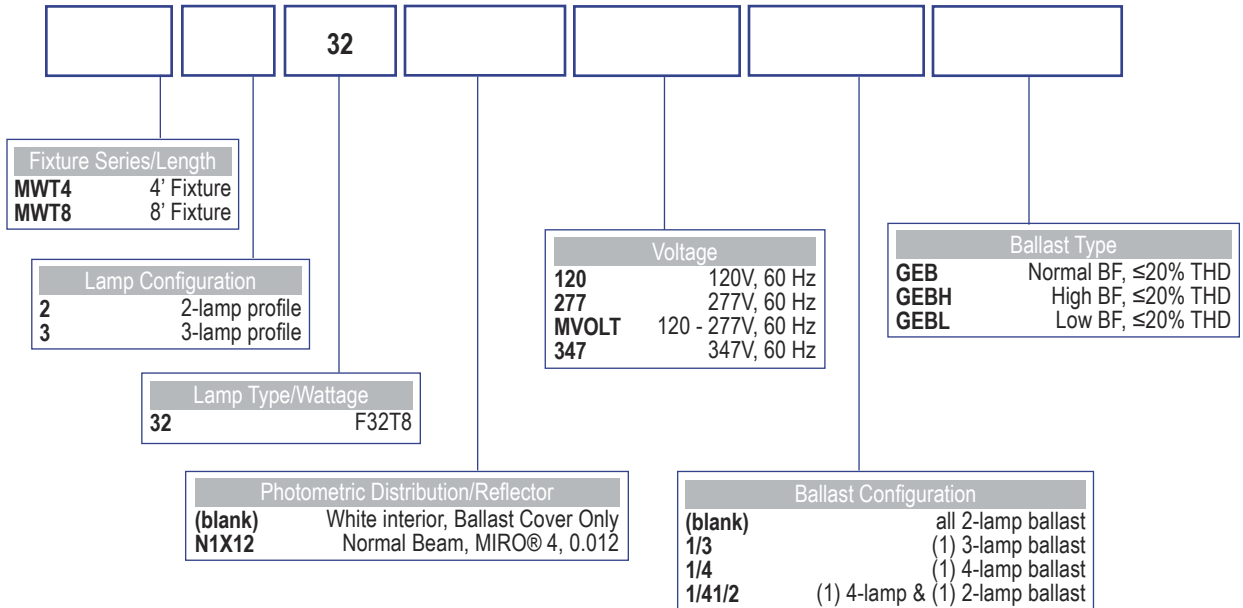
Lamp Shielding - Acrylic prismatic diffuser with sonic-welded, injection molded, luminous ends.

Mounting - Designed for surface or stem mounting, individual or row installation.

Warranty - Standard 1-year warranty for the fixture. Ballasts carry manufacturer warranties of 3-5 years, depending on the application.



Catalog Logic



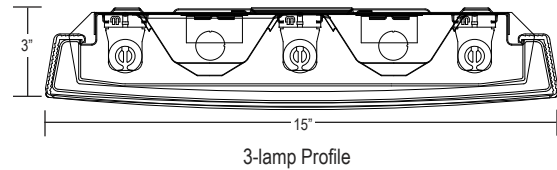
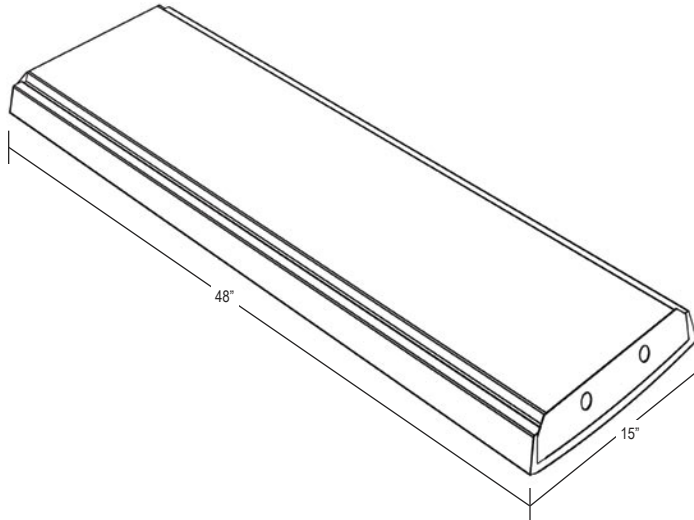
MMWT48T8LWR14WARS0602



Applications

MetalOptic's MW series Prismatic Acrylic Wraparound fixtures are designed for general lumination for surface or stem mounted applications. Ideal for offices, schools, hospitals, retail and industrial applications where finished ceilings exist.

Dimensions



Features

- All sizes of MW series wraparounds have matching diffuser designs with variable fixture width for different applications.
- Snap-In Couplers permit row mounting without tools.
- Internal MIRO®4 Reflector option increases efficiency and overall light output.

Additional Options (installed on fixture)

- Battery Pack
- Tandem Wiring

Accessories (order separately)

- Swivel Stem Hanger (specify in 2" increments)
 - Double Stem Hanger for 4' fixtures, 24" stems
- SQ**
DSH24

Photometrics

SC Across Definitions:

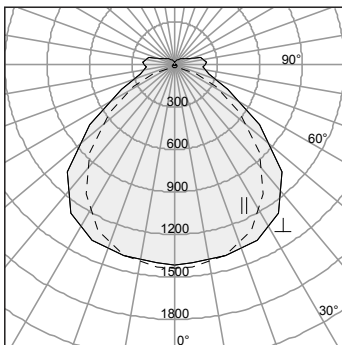
Focus = < 0.9 Spacing Criterion (SC)

Spread = 1.4 to 1.8 Spacing Criterion (SC)

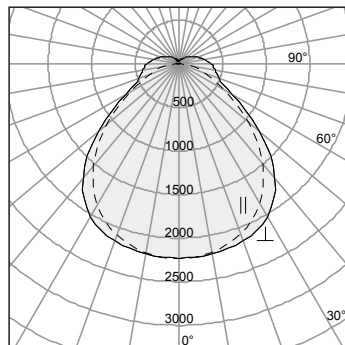
Task = 0.9 to 1.2 Spacing Criterion (SC)

Broad = > 1.8 Spacing Criterion (SC)

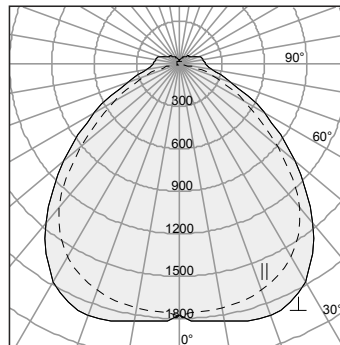
Normal = 1.2 to 1.4 Spacing Criterion



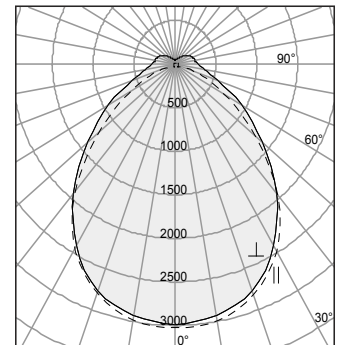
MWT4 2 32
Test #L5469M
Fixture Efficiency: 81.0%
SC Across: 1.4, SC Along: 1.2



MWT4 3 32
Test #L5638M
Fixture Efficiency: 94.4%
SC Across: 1.0, SC Along: 1.3



MWT4 2 32 N1X12
Test #ALP200500M
Fixture Efficiency: 90.1%
SC Across: 1.4, SC Along: 1.3



MWT4 3 32 N1X12
Test #ALP200501M
Fixture Efficiency: 87.1%
SC Across: 1.2, SC Along: 1.2

