

Crossarm and Wall Mount TARC38, TWRC

Catalog Number:

Type:

Project:



Series

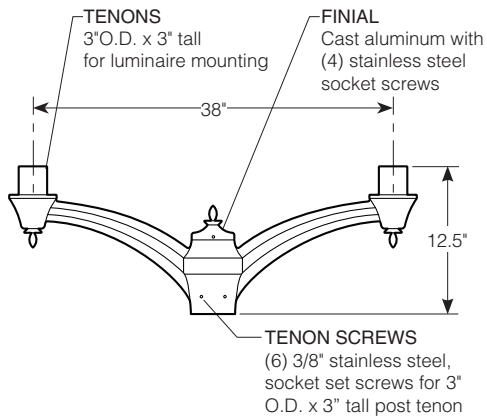
Mounting Method

Finish

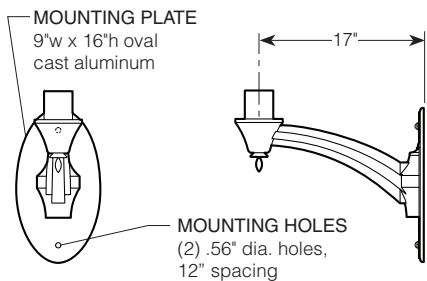
Sample Catalog no:

Series	Mounting Method	Finish
TARC38	3T3	DBL
TARC38 Arm	3T3 Standard Tenon	DBL Black
TWRC Wall Mount		DDB Dark Bronze
		DNA Natural Aluminum
		DWH White
		CM Custom Match
		CS Custom Select RAL colors

Note: See following page for details.



EPA: 1.2 ft²
Weight: 20.5 lbs.



EPA: .5 ft²
Weight: 10.2 lbs.

Construction

The arm and wall mount are high-quality cast aluminum, one-piece construction. The wall mount has a decorative cast wall plate. All exposed welds are dressed. All welding is per AWS D1.2/D1.2M:2003 and all welders are certified. All exposed hardware is tamper resistant stainless steel except for wall mounted hardware which is black zinc plated.

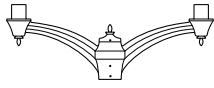
FINISH: The arm and wall mount have a powder coat finish utilizing a premium TGIC polyester powder. The finish is a three-stage process that consists of drying, powder application and curing. Before coating, the parts are treated with a five-stage pretreatment process, consisting of a heated alkaline cleaner, rinse, phosphate coating, rinse and sealant.

Installation

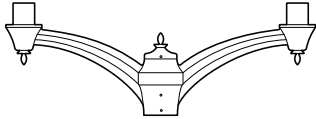
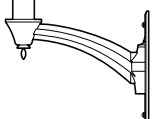

The arm mounts on a 3" O.D. x 3" tall tenon with six, 3/8-16 socket set screws. The center finial is removable for wiring access. The wall mount mounting plate has two, .56" diameter holes for mounting to the wall. It is furnished with two 3/8-16 acorn nuts and washers. Wall studs and junction box are furnished by others. 2" x 4" vertical junction box is recommended. Both arm and wall mount have 3" O.D. x 3" tall tenons for luminaire mounting.

WARNING: Tersen reserves the right to modify specification without notice. Any dimensions on this spec sheet is to be assumed as a reference dimension used for informational purposes only.

Crossarm and Wall Mount TARC38, TWRC



ORDERING GUIDE

<p>Series</p>	<p>Tersen Crossarm and Wall Mount - RC Series</p> <p><input type="checkbox"/> TARC38 Crossarm</p>  <p><input type="checkbox"/> TWRC Wall Mount</p> 
<p>Mounting Method</p>	<p><input type="checkbox"/> 3T3 3" dia. x 3" tall Tenon</p> 
<p>Finish</p>	<p><input type="checkbox"/> DBL Black</p> <p><input type="checkbox"/> DDB Dark Bronze</p> <p><input type="checkbox"/> DNA Natural Aluminum</p> <p><input type="checkbox"/> DWH White</p> <p><input type="checkbox"/> CM Custom Match</p> <p><input type="checkbox"/> CS Custom Select</p> <p>This choice requires that a custom powder be manufactured to match a specific color chip provided by the specifier.</p> <p>Tersen offers custom selected RAL powder coat colors. See chart (form 794.3) for cataloged optional colors or contact the factory.</p>

Suggested Luminaires

