

Crossarm and Wall Mount TAVC48, TWVC

Catalog Number:

Type:

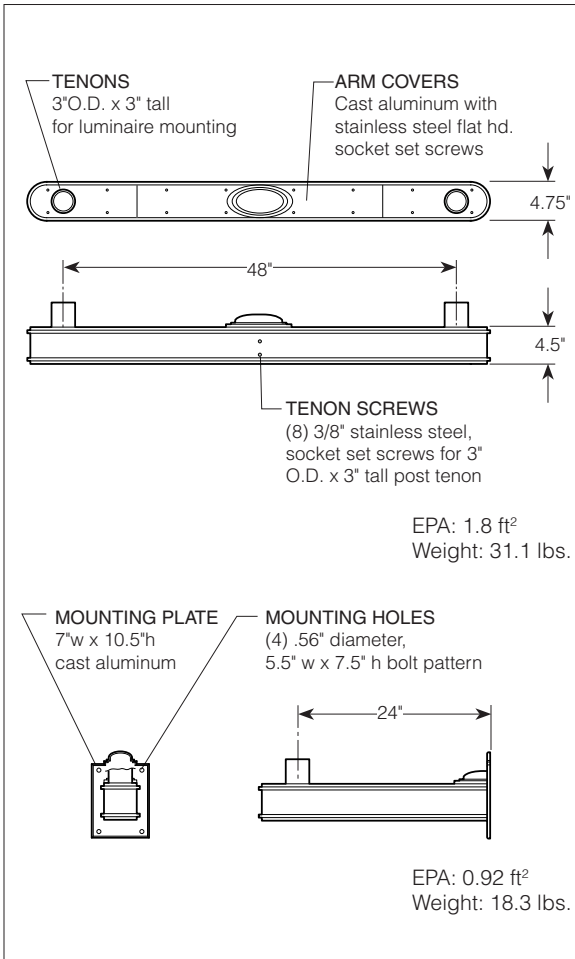
Project:



Sample Catalog no:

Series	Mounting Method	Finish
TAVC48	3T3	DBL
Series	Mounting Method	Finish
TAVC48 Arm	3T3 Standard Tenon	DBL Black
TWVC Wall Mount		DDB Dark Bronze
		DNA Natural Aluminum
		DWH White
		CM Custom Match
		CS Custom Select RAL colors

Note: See following page for details.



Construction

The arm and wall mount are high quality cast aluminum, one-piece construction. The wall mount has a decorative cast wall plate. All exposed welds are dressed. All welding is per AWS D1.2/D1.2M:2003 and all welders are certified. All exposed hardware is tamper resistant stainless steel except for wall mounted hardware which is black zinc plated.

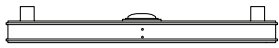
FINISH: The arm and wall mount have a powder coat finish utilizing a premium TGIC polyester powder. The finish is a three-stage process which consists of drying, powder application and curing. Before coating, the parts are treated with a five-stage pretreatment process, consisting of a heated alkaline cleaner, rinse, phosphate coating, rinse and sealant.

Installation

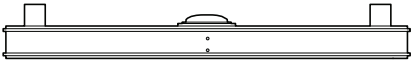

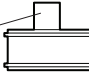
The arm mounts on a 3" O.D. x 3" tall tenon with eight, 3/8"-16 socket set screws. Four of the screws are external and four are internal. The top of the arm has a removable cover for access to post tenon screws and wiring. The wall mount mounting plate has four .56" diameter holes for mounting to the wall. It is furnished with four 3/8"-16 acorn nuts and washers. Wall studs and junction box are furnished by others. 2" x 4" vertical junction box is recommended. Both arm and wall mount have 3" O.D. x 3" tall tenons for luminaire mounting.

WARNING: Tersen reserves the right to modify specification without notice. Any dimensions on this spec sheet is to be assumed as a reference dimension used for informational purposes only.

Crossarm and Wall Mount TAVC48, TWVC



ORDERING GUIDE

<p>Series</p>	<p><u>Tersen Crossarm and Wall Mount - VC Series</u></p> <div style="display: flex; justify-content: space-around;"> <div data-bbox="402 533 532 590"> <input type="checkbox"/> TAVC48 Crossarm </div> <div data-bbox="976 533 1127 590"> <input type="checkbox"/> TWVC Wall Mount </div> </div> <div style="display: flex; justify-content: space-around; margin-top: 10px;">   </div>
<p>Mounting Method</p>	<p><input type="checkbox"/> 3T3 3" dia. x 3" tall Tenon</p> 
<p>Finish</p>	<div style="display: flex; justify-content: space-between;"> <div data-bbox="396 905 488 961"> <input type="checkbox"/> DBL Black </div> <div data-bbox="570 905 672 982"> <input type="checkbox"/> DDB Dark Bronze </div> <div data-bbox="732 905 870 982"> <input type="checkbox"/> DNA Natural Aluminum </div> <div data-bbox="902 905 995 961"> <input type="checkbox"/> DWH White </div> <div data-bbox="1065 905 1182 982"> <input type="checkbox"/> CM Custom Match </div> <div data-bbox="1276 905 1393 982"> <input type="checkbox"/> CS Custom Select </div> </div> <div style="display: flex; justify-content: space-around; margin-top: 10px;"> <div data-bbox="399 993 518 1031" style="background-color: black; width: 30px; height: 15px;"></div> <div data-bbox="570 993 688 1031" style="background-color: #8B4513; width: 30px; height: 15px;"></div> <div data-bbox="732 993 850 1031" style="background-color: #A9A9A9; width: 30px; height: 15px;"></div> <div data-bbox="902 993 1021 1031" style="background-color: white; width: 30px; height: 15px; border: 1px solid black;"></div> </div> <p style="font-size: small; margin-top: 10px;">This choice requires that a custom powder be manufactured to match a specific color chip provided by the specifier.</p> <p style="font-size: small; margin-top: 10px;">Tersen offers custom selected RAL powder coat colors. See chart (form 794.3) for cataloged optional colors or contact the factory.</p>

Suggested Luminaires

