

Crossarm and Wall Mount TAVP48, TWVP

Catalog Number:

Type:

Project:



Series

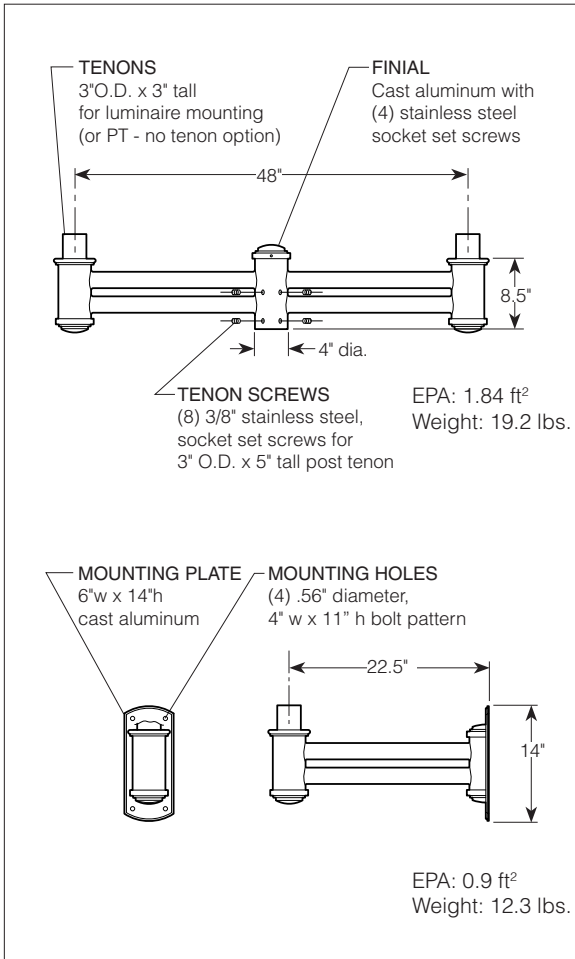
Mounting Method

Finish

Sample Catalog no:

Series	Mounting Method	Finish
TAVP48	3T3	DBL
TAVP48 Arm	3T3 Standard Tenon	DBL Black
TWVP Wall Mount	PT Open Top	DDB Dark Bronze
		DNA Natural Aluminum
		DWH White
		CM Custom Match
		CS Custom Select RAL colors

Note: See following page for details.



Construction

The arm and wall mount are high quality cast aluminum and aluminum, one-piece construction. The wall mount has a decorative cast wall plate. All exposed welds are dressed. All welding is per AWS D1.2/D1.2M:2003 and all welders are certified. All exposed hardware is tamper resistant stainless steel except for wall mounted hardware which is black zinc plated.

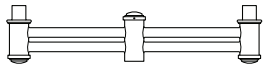
FINISH: The arm and wall mount have a powder coat finish utilizing a premium TGIC polyester powder. The finish is a three-stage process which consists of drying, powder application and curing. Before coating, the parts are treated with a five-stage pretreatment process, consisting of a heated alkaline cleaner, rinse, phosphate coating, rinse and sealant.

Installation

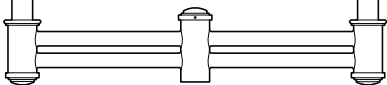
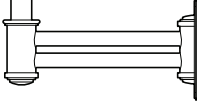
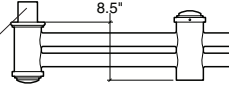
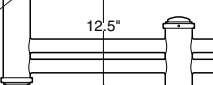
The arm mounts on a 3" O.D. x 5" tall tenon with eight, 3/8-16 socket set screws. The center finial is removable for wiring access. The wall mount has four, .56" diameter holes for mounting to the wall. It is furnished with four 3/8"-16 acorn nuts and washers. Wall studs and junction box are furnished by others. 2" x 4" vertical junction box is recommended. Both arm and wall mount have 3" O.D. x 3" tall tenons for luminaire mounting or a no tenon option designated by PT.

WARNING: Tersen reserves the right to modify specification without notice. Any dimensions on this spec sheet is to be assumed as a reference dimension used for informational purposes only.

Crossarm and Wall Mount TAVP48, TWVP



ORDERING GUIDE

<p>Series</p>	<p><u>Tersen Crossarm and Wall Mount - VP Series</u></p> <div style="display: flex; justify-content: space-around;"> <div data-bbox="402 493 535 556"> <input type="checkbox"/> TAVP48 Crossarm </div> <div data-bbox="982 493 1128 556"> <input type="checkbox"/> TWVP Wall Mount </div> </div> <div style="display: flex; justify-content: space-around; margin-top: 10px;">   </div>
<p>Mounting Method</p>	<div style="display: flex; justify-content: space-around;"> <div data-bbox="402 745 917 829"> <input type="checkbox"/> 3T3 3" dia. x 3" tall Tenon </div> <div data-bbox="950 745 1372 850"> <input type="checkbox"/> PT Open Top (no tenon) </div> </div> <div style="display: flex; justify-content: space-around; margin-top: 10px;">   </div>
<p>Finish</p>	<div style="display: flex; justify-content: space-between; margin-bottom: 10px;"> <div data-bbox="402 903 495 955"> <input type="checkbox"/> DBL Black </div> <div data-bbox="568 903 673 976"> <input type="checkbox"/> DDB Dark Bronze </div> <div data-bbox="738 903 868 976"> <input type="checkbox"/> DNA Natural Aluminum </div> <div data-bbox="901 903 998 955"> <input type="checkbox"/> DWH White </div> <div data-bbox="1063 903 1177 976"> <input type="checkbox"/> CM Custom Match </div> <div data-bbox="1274 903 1388 976"> <input type="checkbox"/> CS Custom Select </div> </div> <div style="display: flex; justify-content: space-between; margin-bottom: 10px;"> <div data-bbox="402 987 511 1029" style="background-color: black; width: 30px; height: 15px;"></div> <div data-bbox="568 987 690 1029" style="background-color: #8B4513; width: 30px; height: 15px;"></div> <div data-bbox="738 987 852 1029" style="background-color: #A9A9A9; width: 30px; height: 15px;"></div> <div data-bbox="901 987 1015 1029" style="background-color: white; width: 30px; height: 15px; border: 1px solid black;"></div> </div> <div style="display: flex; justify-content: space-between;"> <div data-bbox="1063 987 1242 1113" style="width: 45%;"> <p>This choice requires that a custom powder be manufactured to match a specific color chip provided by the specifier.</p> </div> <div data-bbox="1274 987 1461 1113" style="width: 45%;"> <p>Tersen offers custom selected RAL powder coat colors. See chart (form 794.3) for cataloged optional colors or contact the factory.</p> </div> </div>

Suggested Luminaires

