

Facade™ 1.0 Diamond TLFAD10

Catalog Number:

Type:

Project:



Series	Lamp Type	Voltage	Lens	Panel	Options	Finish
--------	-----------	---------	------	-------	---------	--------

Sample Catalog no:

TLFAD10	100M	120	FWHITE		P1		VGRD	DBL		
Series	Lamp Type	Voltage	Lens		Panel		Options	Finish		
TLFAD10	50M	2/26DTT	120	FWHITE	LWHITE	P1	L/VGRDS	DBLB	Black Textured	
	70M	26TRT	208	FYELLOW	LYELLOW	P2		DDBT	Dk. Bronze Text.	
	100M	2/26TRT	240	FORANGE	LORANGE	P3		DNAT	Aluminum Text.	
	13DTT	32TRT	277	FGREEN	LGREEN	P4		DWHG	White Textured	
	2/13DTT	2/32TRT	347	FRED	LRED	P5		PCM	CM	Custom Match
	18DTT	42TRT	MVOLT	FBLUE	LBLUE	P6		CS	CS	Custom Select
	2/18DTT	2/42TRT		FCM	LCM					
	26DTT									

Note: See following pages for details.

DECORATIVE LENS
Colored acrylic lens with 2 styles: Flush and Large

PANEL (FASCIA PLATE)
Customizable aluminum panel with 10 standard designs

16" Sq.
17" Sq.

OPTIC LENS
Semi-transparent white polycarbonate lens

OPTIC HOUSING
Cast aluminum

DECORATIVE SHROUD
Spun aluminum

Lamp not included
Weight: 17 lbs.

Construction

The luminaire bezel is one-piece, die-cast aluminum construction, .125" thick. The bezel encloses the lens and secures it to the one-piece die-cast housing with stainless steel tamper resistant screws. The housing has a four-hole mounting detail for installation directly over an outlet box, or conduit entry through three 1/2" threaded openings on the side or a 3/4" threaded opening on rear surface. The perimeter lens gasket is a one-piece silicone "O" ring. The pad mounting gasket is closed-cell neoprene that seals the housing to mounting surfaces. The .09" laser cut aluminum fascia plate and decorative acrylic lens are secured to the bezel by three aluminum standoffs using stainless steel hex head screws.

FINISH: Housing, fascia plate, and decorative shroud are finished in the same color. The powder coat finish uses premium TGIC polyester powder.

Optics

The optic lens is made of translucent white injection molded polycarbonate. The lens is UV stabilizing and .125" thick. The decorative lens is available in two styles, flush or large, and 6 colors. The luminaire uses an internal reflector made of semi-specular aluminum (HID), and high reflectance white powder coat finish (CFL) for maximum light output. The lamp positioning assures uniform brightness and illumination.

Electrical

HID ballast assembly sockets are glazed porcelain, medium base, with a copper alloy nickel-plated screw shell and center contact. HID ballasts are core and coil, high power factor, regulating type. The compact fluorescent ballast is electronic, high power factor multi-volt. The socket is high temperature thermoplastic with lamp retention clip. Lamp is not included.

Installation

The luminaire is surface mounted. To install first loosen the two socket head set screws to free bezel/fascia assembly and lens from the housing. Remove component cover by removing two screws. For maximum vandal resistance, use the four mounting holes provided to affix the luminaire to surface. Use a 9/32" drill bit to clear the mounting holes. Mount over outlet box or use surface conduit wire entry for electrical connection. Note: 150°C wire must be used at 150° surface conduit entry port as labeled. Remove backing from pad gasket provided and place on back square portion of housing then place the four small circular gaskets on mounting bosses.

Listing

The luminaire is tested to and meets all NRTL's outdoor requirement standards, wet location use, through the fully accredited and approved CSA laboratory. Luminaire is IP65 rated.

WARNING: Tersen reserves the right to modify specifications without notice.

Facade™ 1.0 Diamond TLFAD10



ORDERING GUIDE

Series

TLFAD10 Tersen Luminaire - Facade 1.0 Diamond



Lamp type

Metal Halide

50M Ballast: HX-HPF Lamp: E17 Base: Medium
 70M Ballast: HX-HPF Lamp: E17 Base: Medium
 100M Ballast: HX-HPF Lamp: E17 Base: Medium

Lamp not included

Compact Fluorescent Double Twin-Tube

13DTT Ballast: Electronic Lamp: T4 Base: GX24Q-1
 2/13DTT Ballast: Electronic Lamp: T4 Base: GX24Q-1
 18DTT Ballast: Electronic Lamp: T4 Base: GX24Q-2
 2/18DTT Ballast: Electronic Lamp: T4 Base: GX24Q-2
 26DTT Ballast: Electronic Lamp: T4 Base: GX24Q-3
 2/26DTT Ballast: Electronic Lamp: T4 Base: GX24Q-3

Compact Fluorescent Triple Twin-Tube

26TRT Ballast: Electronic Lamp: T4 Base: GX24Q-3
 2/26TRT Ballast: Electronic Lamp: T4 Base: GX24Q-3
 32TRT Ballast: Electronic Lamp: T4 Base: GX24Q-3
 2/32TRT Ballast: Electronic Lamp: T4 Base: GX24Q-3
 42TRT Ballast: Electronic Lamp: T4 Base: GX24Q-4
 2/42TRT Ballast: Electronic Lamp: T4 Base: GX24Q-4

Voltage

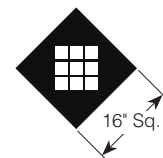
120 120 volt
 208 208 volt
 240 240 volt
 277 277 volt
 347¹ 347 volt
 MVOLT² 120-277 volt

Multi-tap ballast (120, 208, 240, 277v). For wattages under 70M contact Tersen for voltage availability.
 1. 347 volt not available with fluorescent lamps.
 2. Multi-volt electronic ballast (for DTT and TRT lamps) capable of operating on any line voltage between 120 and 277 volts.

Lens

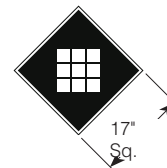
Decorative Lens - Flush

FWHITE White Orange
 FYELLOW Yellow
 FORANGE
 FGREEN Green
 FRED Red
 FBLUE Blue
 FCM Custom



Decorative Lens - Large

LWHITE White Orange
 LYELLOW Yellow
 LORANGE
 LGREEN Green
 LRED Red
 LBLUE Blue
 LCM Custom



Decorative lens is acrylic and mounts behind the decorative front panel. The lens is either cut flush to the size of the panel or is larger than the panel by .5" all around.

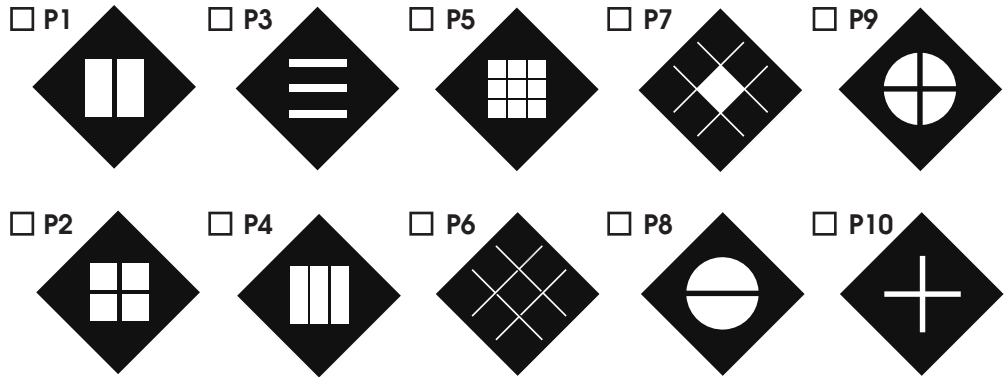




ORDERING GUIDE

Panel

Decorative Panel/Fascia Plate with Cutout Designs

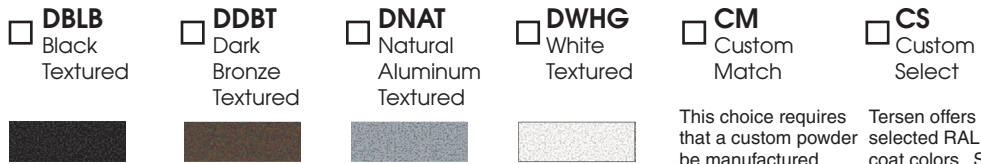


PCM Custom Panel Design Custom logos, lettering, or designs can be cut into the fascia plate panel.

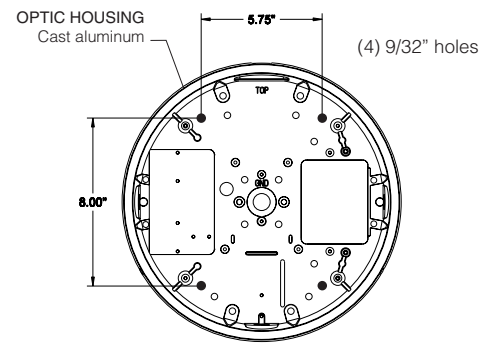
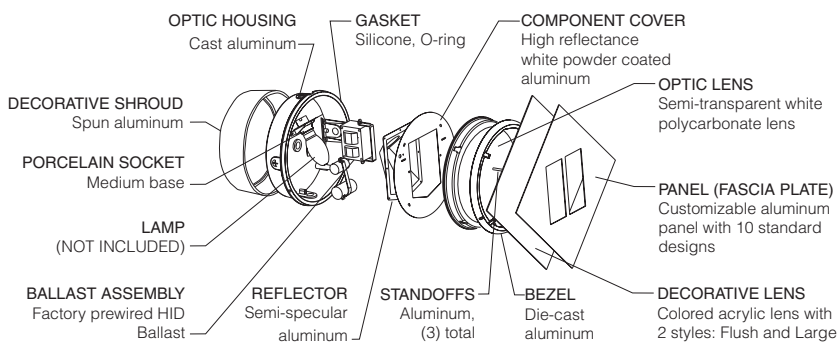
Options

L/VGRDS Less Decorative Shroud The decorative shroud is standard on the fixture. If it is not required L/VGRSD should be added to catalog string.

Finish



This choice requires that a custom powder be manufactured to match a specific color chip provided by the specifier. Tersen offers custom selected RAL powder coat colors. See chart (form 794.3) for cataloged optional colors or contact the factory.



MOUNTING HOLE DETAIL