

Facade™ 1.0 Square TLFAS10

Catalog Number:

Type:

Project:

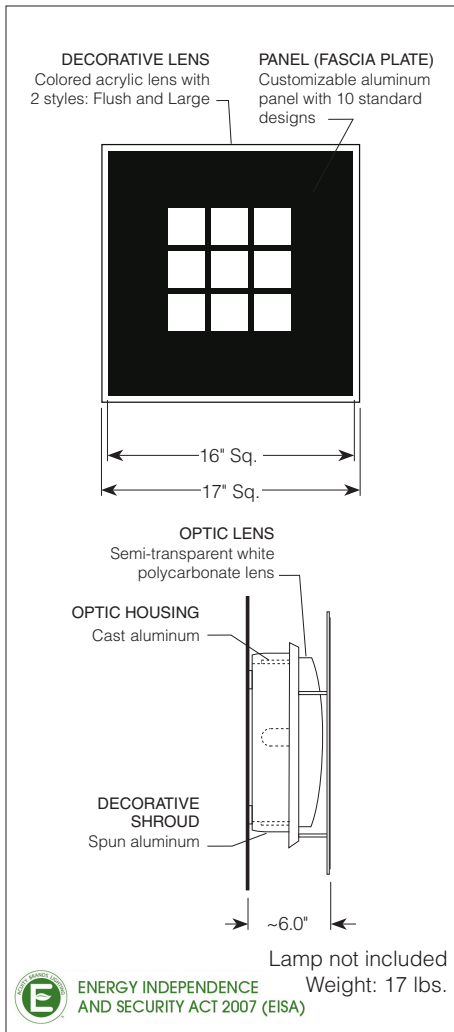


Series	Lamp Type	Voltage	Lens	Panel	Options	Finish
--------	-----------	---------	------	-------	---------	--------

Sample Catalog no:

TLFAS10	100M	120	FWHITE		P1		VGRD	DBL		
Series	Lamp Type		Voltage	Lens		Panel		Options	Finish	
TLFAS10	50M	2/26DTT	120	FWHITE	LWHITE	P1	P7	L/VGRDS	DBLB	Black Textured
	70M	26TRT	208	FYELLOW	LYELLOW	P2	P8		DDBT	Dk. Bronze Text.
	100M	2/26TRT	240	FORANGE	LORANGE	P3	P9		DNAT	Aluminum Text.
	13DTT	32TRT	277	FGREEN	LGREEN	P4	P10		DWHG	White Textured
	2/13DTT	2/32TRT	347	FRED	LRED	P5	PCM		CM	Custom Match
	18DTT	42TRT	MVOLT	FBLUE	LBLUE	P6			CS	Custom Select
	2/18DTT	2/42TRT		FCM	LCM					
	26DTT									

Note: See following pages for details.



Construction

The luminaire bezel is one-piece, die-cast aluminum construction, .125" thick. The bezel encloses the lens and secures it to the one-piece die-cast housing with stainless steel tamper resistant screws. The housing has a four-hole mounting detail for installation directly over an outlet box, or conduit entry through three 1/2" threaded openings on the side or a 3/4" threaded opening on rear surface. The perimeter lens gasket is a one-piece silicone "O" ring. The pad mounting gasket is closed-cell neoprene that seals the housing to mounting surfaces. The .09" laser cut aluminum fascia plate and decorative acrylic lens are secured to the bezel by three aluminum standoffs using stainless steel hex head screws.

FINISH: Housing, fascia plate, and decorative shroud are finished in the same color. The powder coat finish uses premium TGIC polyester powder.

Optics

The optic lens is made of translucent white injection molded polycarbonate. The lens is UV stabilizing and .125" thick. The decorative lens is available in two styles, flush or large, and 6 colors. The luminaire uses an internal reflector made of semi-specular aluminum (HID), and high reflectance white powder coat finish (CFL) for maximum light output. The lamp positioning assures uniform brightness and illumination.

Electrical

HID ballast assembly sockets are glazed porcelain, medium base, with a copper alloy nickel-plated screw shell and center contact. HID ballasts are core and coil, high power factor, regulating type. The compact fluorescent ballast is electronic, high power factor multi-volt. The socket is high temperature thermoplastic with lamp retention clip. Lamp is not included.

Installation

The luminaire is surface mounted. To install first loosen the two socket head set screws to free bezel/fascia assembly and lens from the housing. Remove component cover by removing two screws. For maximum vandal resistance, use the four mounting holes provided to affix the luminaire to surface. Use a 9/32" drill bit to clear the mounting holes. Mount over outlet box or use surface conduit wire entry for electrical connection. Note: 150°C wire must be used at 150° surface conduit entry port as labeled. Remove backing from pad gasket provided and place on back square portion of housing then place the four small circular gaskets on mounting bosses.

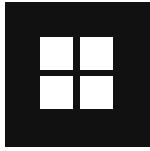
Listing

The luminaire is tested to and meets all NRTL's outdoor requirement standards, wet location use, through the fully accredited and approved CSA laboratory. Luminaire is IP65 rated.

WARNING: Tersen reserves the right to modify specifications without notice.

Facade™ 1.0 Square

TLFAS10



ORDERING GUIDE

Series

TLFAS10 Tersen Luminaire - Facade 1.0 Square



Lamp type

Metal Halide

50M

Ballast: HX-HPF
Lamp: E17
Base: Medium

70M

Ballast: HX-HPF
Lamp: E17
Base: Medium

100M

Ballast: HX-HPF
Lamp: E17
Base: Medium

Lamp not included

Compact Fluorescent Double Twin-Tube

13DTT

Ballast: Electronic
Lamp: T4
Base: GX24Q-1

2/13DTT

Ballast: Electronic
Lamp: T4
Base: GX24Q-1

18DTT

Ballast: Electronic
Lamp: T4
Base: GX24Q-2

2/18DTT

Ballast: Electronic
Lamp: T4
Base: GX24Q-2

26DTT

Ballast: Electronic
Lamp: T4
Base: GX24Q-3

2/26DTT

Ballast: Electronic
Lamp: T4
Base: GX24Q-3

Compact Fluorescent Triple Twin-Tube

26TRT

Ballast: Electronic
Lamp: T4
Base: GX24Q-3

2/26TRT

Ballast: Electronic
Lamp: T4
Base: GX24Q-3

32TRT

Ballast: Electronic
Lamp: T4
Base: GX24Q-3

2/32TRT

Ballast: Electronic
Lamp: T4
Base: GX24Q-3

42TRT

Ballast: Electronic
Lamp: T4
Base: GX24Q-4

2/42TRT

Ballast: Electronic
Lamp: T4
Base: GX24Q-4

Voltage

120

120 volt

208

208 volt

240

240 volt

277

277 volt

347¹

347 volt

MVOLT²

120-277 volt

Multi-tap ballast (120, 208, 240, 277v). For wattages under 70S or 70M contact Tersen for voltage availability.

1. 347 volt not available with fluorescent lamps.

2. Multi-volt electronic ballast (for DTT and TRT lamps) capable of operating on any line voltage between 120 and 277 volts.

Lens

Decorative Lens - Flush

FWHITE

White
Orange

FYELLOW

Yellow

FORANGE

FGREEN

Green

FRED

Red

FBLUE

Blue

FCM

Custom



←16" Sq.→

Decorative Lens - Large

LWHITE

White
Orange

LYELLOW

Yellow

LORANGE

LGREEN

Green

LRED

Red

LBLUE

Blue

LCM

Custom



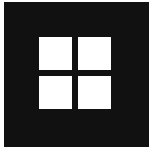
←17" Sq.→

Decorative lens is acrylic and mounts behind the decorative front panel. The lens is either cut flush to the size of the panel or is larger than the panel by .5" all around.



Facade™ 1.0 Square

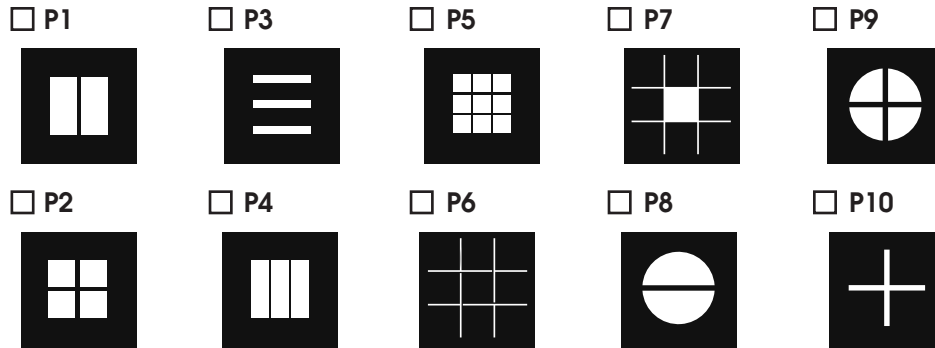
TLFAS10



ORDERING GUIDE

Panel

Decorative Panel/Fascia Plate with Cutout Designs



PCM Custom Panel Design Custom logos, lettering, or designs can be cut into the fascia plate panel.

Options

L/VGRDS
Less Decorative Shroud



The decorative shroud is standard on the fixture. If it is not required L/VGRSD should be added to catalog string.

Finish

DBLB
Black Textured



DBBT
Dark Bronze Textured



DNAT
Natural Aluminum Textured



DWHG
White Textured

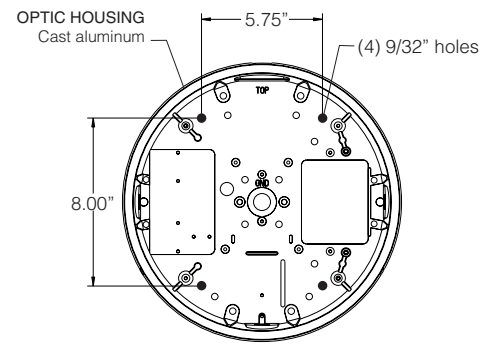
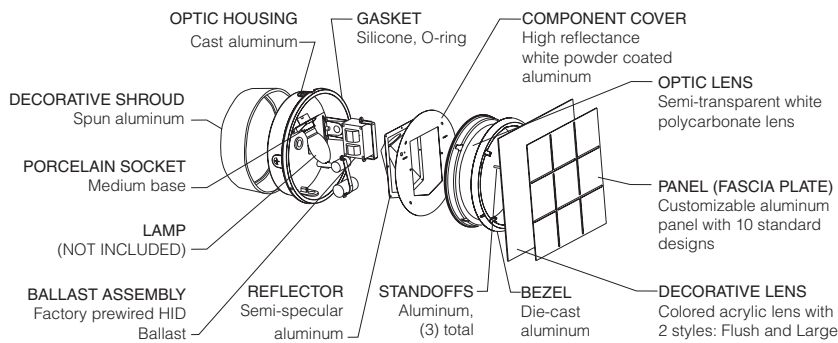


CM
Custom Match

This choice requires that a custom powder be manufactured to match a specific color chip provided by the specifier.

CS
Custom Select

Tersen offers custom selected RAL powder coat colors. See chart (form 794.3) for cataloged optional colors or contact the factory.



MOUNTING HOLE DETAIL