

# Resonance™ 1.5 TLRC15

Catalog Number:

Type:

Project:

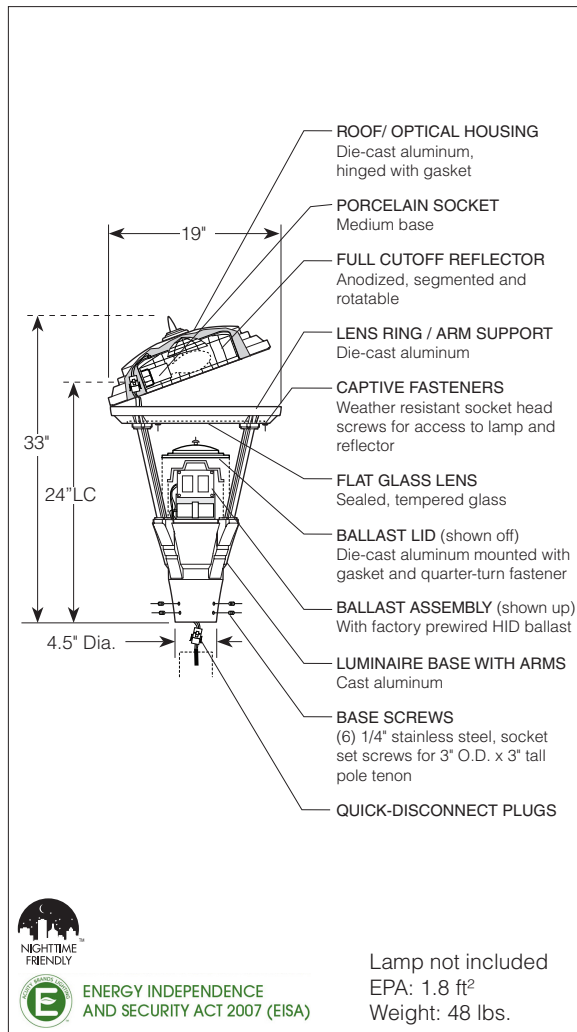


Series	Lamp Type	Lens	Distribution	Voltage	Options	Finish
--------	-----------	------	--------------	---------	---------	--------

**Sample Catalog no:**

TLRC15	150M MED	GCF	SR2	120	SF	DBL
Series	Lamp type	Lens	Distribution	Voltage	Options	Finish
TLRC15	70M MED 100M MED 150M MED	GCF Glass, Clear Flat	SR2 SR3 SR4SC SR5S	120 208 240 277 347 480	HS House Side Shield SF Single Fusing DF Double Fusing	DBL Black DDB Dark Bronze DNA Natural Aluminum DWH White CM Custom Match CS Custom Select RAL colors

Note: See following pages for details.



**Construction:**

The luminaire is die cast and permanent mold aluminum. The roof has an internal hinge, hidden from view. Roof and ballast lids are sealed with silicone gaskets. All exposed hardware is weather resistant. FINISH: The luminaire has a powder coat finish utilizing a premium TGIC polyester powder. The finish is a three-stage process that consists of drying, powder application and curing. Before coating, the parts are treated with a five-stage pretreatment process, consisting of a heated alkaline cleaner, rinse, phosphate coating, rinse and sealant.

**Optics:**

The horizontal lens is tempered flat glass with a continuous seal. The luminaire utilizes an internal anodized and segmented reflector with socket for horizontal lamp. Reflectors are available in Type II, III, IV sharp cutoff, and V, full cutoff distributions, are interchangeable and rotatable.

**Electrical:**

Luminaire is furnished with an HID ballast assembly. Sockets are porcelain, medium base, with a copper alloy nickel-plated screw shell and center contact. Ballasts are core and coil, high-power factor, regulating type. Lamp is not included.

**Installation:**

The luminaire mounts on a 3" O.D. x 3" tall tenon with six, 1/4-20 socket set screws. The hinged roof/reflector housing is furnished with captive screws for access to the lamp and reflector. The reflector can be removed without tools and is furnished with a quick-disconnect plug. The ballast assembly is furnished with a quick-disconnect plug and mounts on a toolless lift-out bracket. The lift-out bracket is accessible by removing the ballast lid fastened by a quarter-turn fastener.

**Listings:**

The luminaire is tested to and meets all NRTL's outdoor requirement standards, wet location use, through the fully accredited and approved CSA laboratory.

WARNING: Tersen reserves the right to modify specifications without notice.



Lamp not included  
EPA: 1.8 ft<sup>2</sup>  
Weight: 48 lbs.

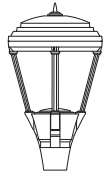


Lighting


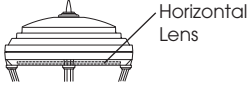

TLRC15 page 1 of 3  
Rev. 07/09

# Resonance™ 1.5

## TLRC15



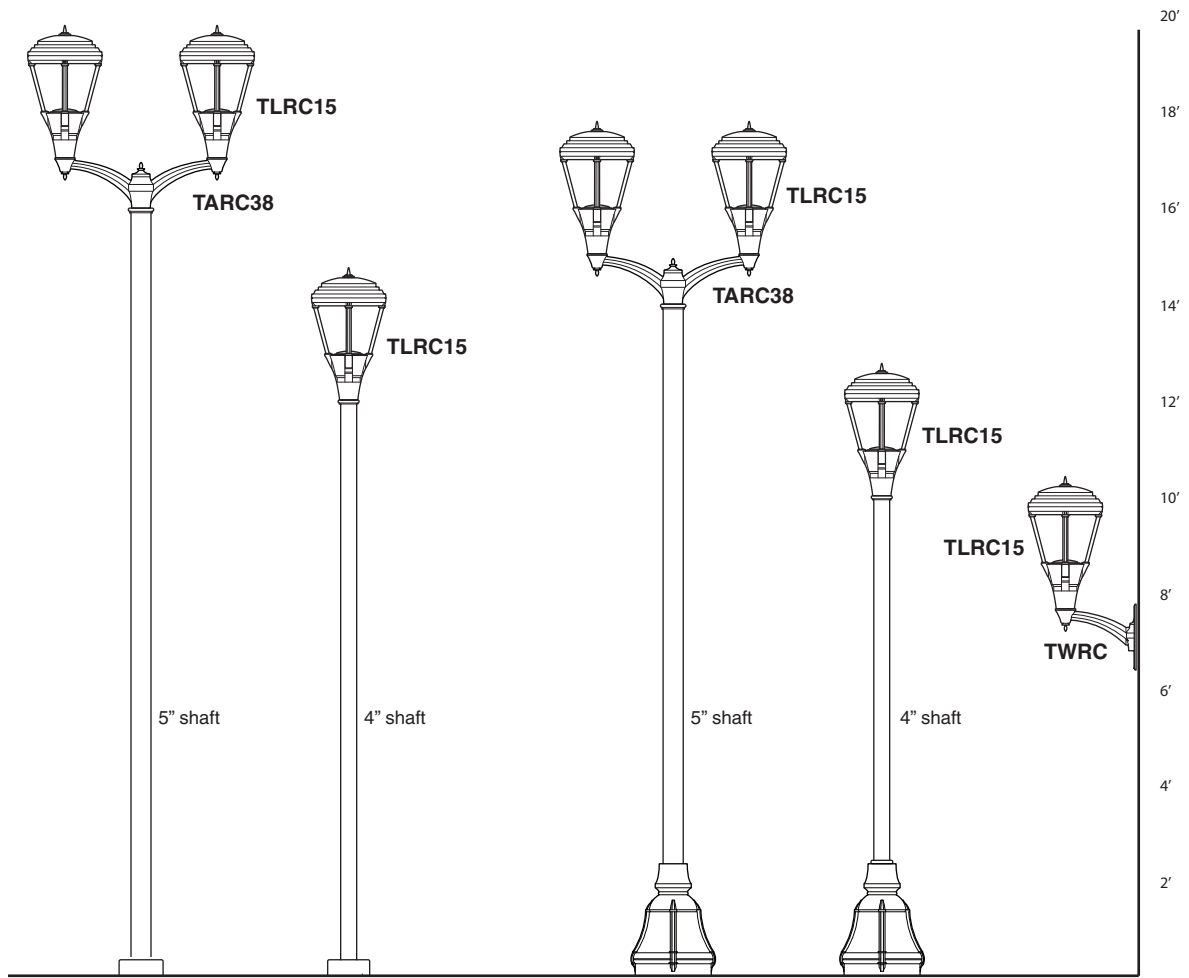
### ORDERING GUIDE

<b>Series</b>	<input type="checkbox"/> <b>TLRC15</b> <u>Tersen Luminaires - Resonance 1.5</u> 
<b>Lamp type</b>	<p>Metal Halide</p> <p><input type="checkbox"/> <b>70M MED</b>      <input type="checkbox"/> <b>100M MED</b>      <input type="checkbox"/> <b>150M MED<sup>1</sup></b></p> <p>Ballast: HX-HPF      Ballast: HX-HPF      Ballast: HX-HPF          Lamp: E17      Lamp: E17      Lamp: E17          Base: Medium      Base: Medium      Base: Medium</p> <p>Lamp not included          1. When using 150M and 347 volt consult Tersen.</p>
<b>Lens</b>	<input type="checkbox"/> <b>GCF</b> glass flat lens 
<b>Distribution</b>	<p><u>Full Cutoff, Horizontal Lamp Reflectors</u></p> <p><input type="checkbox"/> <b>SR2</b>      <input type="checkbox"/> <b>SR3</b>      <input type="checkbox"/> <b>SR4SC</b>      <input type="checkbox"/> <b>SR5S</b></p> <p>House Side Street Side</p> <div style="display: flex; justify-content: space-around;"> <div data-bbox="516 982 708 1100"> <p><b>Type II</b> Distributes light slightly ahead of luminaire location with significant lateral spread.</p> </div> <div data-bbox="792 982 961 1100"> <p><b>Type III</b> Provides light farther ahead of the luminaire than a Type II pattern but maintains a significant lateral spread.</p> </div> <div data-bbox="1045 982 1162 1100"> <p><b>Type IV</b> Sharp Cutoff Distributes light almost exclusively forward with an emphasis on eliminating light trespass and spill light behind the pole.</p> </div> <div data-bbox="1253 982 1383 1100"> <p><b>Type V</b> Provides improved uniformity with a variance of the Type V distribution with a slightly square pattern compared to the regular Type V.</p> </div> </div>
<b>Voltage</b>	<p><input type="checkbox"/> <b>120</b>    <input type="checkbox"/> <b>208<sup>2</sup></b>    <input type="checkbox"/> <b>240</b>    <input type="checkbox"/> <b>277</b>    <input type="checkbox"/> <b>347</b>    <input type="checkbox"/> <b>480</b></p> <p>120 volt    208 volt    240 volt    277 volt    347 volt    480 volt</p> <p>Multi-tap ballast (120, 208, 240, 277v).          2. Consult factory for 208 volt availability in Canada.</p>
<b>Options</b>	<p><input type="checkbox"/> <b>HS<sup>3</sup></b>            <input type="checkbox"/> <b>SF</b>      <input type="checkbox"/> <b>DF</b></p> <p>House Side Shield      Single Fusing      Double Fusing</p> <p>3. HS, house side shield is not available with distribution option SR4SC or SR5S.</p>
<b>Finish</b>	<p><input type="checkbox"/> <b>DBL</b>    <input type="checkbox"/> <b>DBB</b>    <input type="checkbox"/> <b>DNA</b>    <input type="checkbox"/> <b>DWH</b>    <input type="checkbox"/> <b>CM</b>    <input type="checkbox"/> <b>CS</b></p> <p>Black      Dark Bronze      Natural Aluminum      White      Custom Match      Custom Select</p> <div style="display: flex; justify-content: space-around;"> <div data-bbox="425 1745 542 1787"></div> <div data-bbox="597 1745 714 1787"></div> <div data-bbox="760 1745 876 1787"></div> <div data-bbox="928 1745 1045 1787"></div> </div> <p>This choice requires that a custom powder be manufactured to match a specific color chip provided by the specifier.      Tersen offers custom selected RAL powder coat colors. See chart (form 794.3) for cataloged optional colors or contact the factory.</p>

# Resonance™ 1.5

## TLRC15

### Recommended Poles, Arm and Wall Mount



**TPRSAC 16 5J**

**TPRSAC 12 4J**

**TPRSARC 14 5J**

**TPRSARC 10 4J**

POLE: Round straight pole in aluminum or steel with cast aluminum EC base cover.

POLE: Round straight pole in aluminum with cast aluminum RC base.

ARM: Cast aluminum arm with 38" between light centers.

WALL MOUNT: Cast aluminum wall mount, with 17" from wall to light center.

For detailed product specifications for Poles and Arm/Wall Mount see the Tersen website.