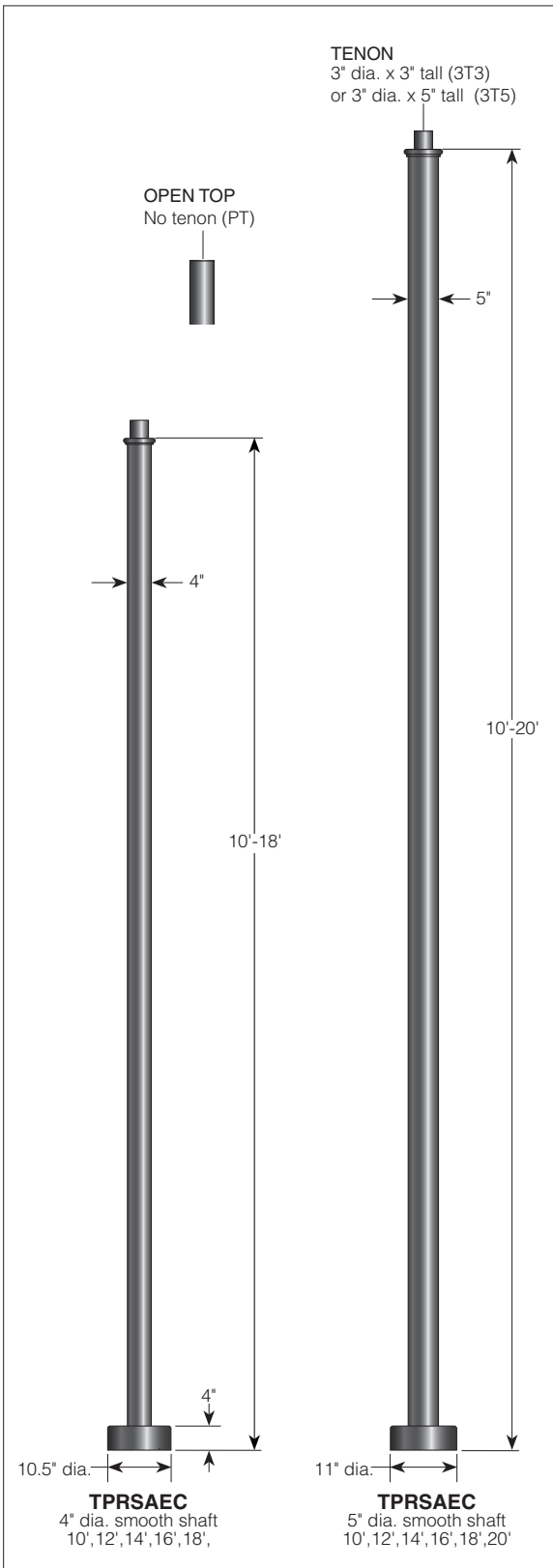


# Round Straight Aluminum Poles with EC Base TPRSAC

Catalog Number:

Type:

Project:



Series	Height	Shaft Type	Mounting Method	Finish
--------	--------	------------	-----------------	--------

### Sample Catalog no:

TPRSAEC	10	4J	3T3	DBL
Series	Height	Shaft Type	Mounting Method	Finish
<b>TPRSAEC</b>	<b>10</b>	<b>4C</b> 4" dia., .125" thk.	<b>3T3</b> 3 x 3" Tenon	<b>DBL</b> Black
	<b>12</b>	<b>4J</b> 4" dia., .25" thk.	<b>3T5</b> 3 x 5" Tenon	<b>DDB</b> Dark Bronze
	<b>14</b>	<b>5C</b> 5" dia., .125" thk.	<b>PT</b> Open Top	<b>DNA</b> Natural Aluminum
	<b>16</b>	<b>5J</b> 5" dia., .25" thk.		<b>DWH</b> White
	<b>18</b>			<b>CM</b> Custom Match
	<b>20</b>			<b>CS</b> Custom Select RAL colors

Note: See following page for details.

### Construction

The poles are one-piece, all aluminum construction with an aluminum two-piece base cover. The two-piece cover is heavy wall, cast aluminum, 10.5" or 11" in diameter. The poles have a straight shaft in 4" or 5" extruded aluminum with integral anchor/base plate. All exposed welds below 10' are dressed. All welding is per AWS D1.2/D1.2M:2003. All welders are certified. All exposed hardware is tamper resistant stainless steel.

**FINISH:** The poles have a powder coat finish utilizing a premium TGIC polyester powder. The finish is a three-stage process which consists of drying, powder application and curing. Before coating, the parts are treated with a five-stage pretreatment process, consisting of a heated alkaline cleaner, rinse, phosphate coating, rinse and sealant.


### Installation

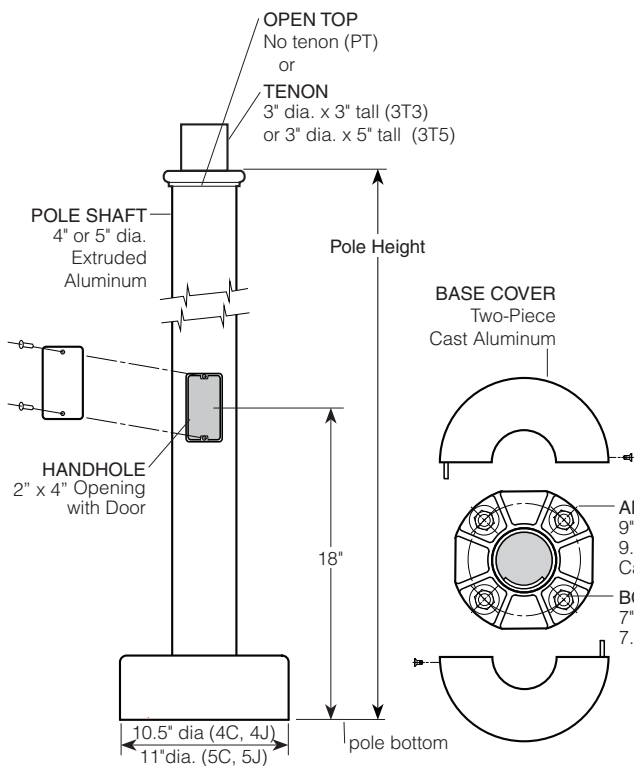
The poles are provided with four, 3/4" diameter hot-dip galvanized L-type anchor bolts to be installed on a 7" diameter bolt circle for 4" poles and a 7.5" diameter bolt circle for 5" poles. A handhole with a cover is centered 18" above the bottom of the pole for wiring access. A grounding screw is provided inside the handhole. At the top of the poles is a tenon, 3" diameter by either 3" or 5" tall for luminaire or crossarm mounting or a no tenon option for mounting luminaires with internal expansion collars.

**WARNING:** Tersen reserves the right to modify specifications without notice. Any dimensions on this spec sheet is to be assumed as a reference dimension used for informational purposes only.

**Round Straight Aluminum Poles  
with EC Base  
TPRSAEC**

# ORDERING GUIDE

<b>Series</b>	<input type="checkbox"/> <b>TPRSAEC</b> <u>Tersen Poles - Round Straight Aluminum - EC Base</u>
<b>Height</b>	<input type="checkbox"/> <b>10</b> 10 feet <input type="checkbox"/> <b>12</b> 12 feet <input type="checkbox"/> <b>14</b> 14 feet <input type="checkbox"/> <b>16'</b> 16 feet <input type="checkbox"/> <b>18'</b> 18 feet <input type="checkbox"/> <b>20'</b> 20 feet Poles with 4" diameter shafts are available with heights 10' - 18'. Poles with 5" diameter shafts are available with heights 10' - 20'. 1. 16', 18', and 20' not available with 5C shaft type.
<b>Shaft Type</b>	<u>Smooth Straight</u> <input type="checkbox"/> <b>4C</b> 4" dia. - .125" thk <input type="checkbox"/> <b>4J</b> 4" dia. - .25" thk <input type="checkbox"/> <b>5C'</b> 5" dia. - .125" thk <input type="checkbox"/> <b>5J</b> 5" dia. - .25" thk Consult factory for appropriate shaft thickness.
<b>Mounting Method</b>	<input type="checkbox"/> <b>3T3<sup>2</sup></b> 3" dia. x 3" tall Tenon <input type="checkbox"/> <b>3T5</b> 3" dia. x 5" tall Tenon <input type="checkbox"/> <b>PT<sup>3</sup></b> Open Top See luminaire and crossarm specifications for appropriate mounting method. 2. 3T3 is standard for most luminaires and some crossarms. 3. PT is an open topped shaft with no tenon. PT only available with 4C or 5C shaft.
<b>Finish</b>	<input type="checkbox"/> <b>DBL</b> Black <input type="checkbox"/> <b>DDB</b> Dark Bronze <input type="checkbox"/> <b>DNA</b> Natural Aluminum <input type="checkbox"/> <b>DWH</b> White <input type="checkbox"/> <b>CM</b> Custom Match <input type="checkbox"/> <b>CS</b> Custom Select  This choice requires that a custom powder be manufactured to match a specific color chip provided by the specifier. Tersen offers custom selected RAL powder coat colors. See chart (form 794.3) for cataloged optional colors or contact the factory.



Pole Series	Height	EPA Information (ft2)			
		80mph	90mph	100mph	110mph
TPRSAEC 4C	10 ft	6.5	4.8	3.7	2.8
TPRSAEC 4J		12.5	9.6	7.5	6.0
TPRSAEC 5C		10.7	8.1	6.8	4.9
TPRSAEC 5J		20.5	16.0	12.5	10.3
TPRSAEC 4C	12 ft	5.0	3.6	2.6	2.0
TPRSAEC 4J		10.1	7.7	6.0	4.7
TPRSAEC 5C		8.5	6.2	4.7	3.6
TPRSAEC 5J		16.6	13.2	10.0	8.0
TPRSAEC 4C	14 ft	3.8	2.7	1.8	4.8
TPRSAEC 4J		8.4	6.3	4.8	3.7
TPRSAEC 5C		6.7	4.8	3.5	2.5
TPRSAEC 5J		14.0	10.5	8.3	6.5
TPRSAEC 4C	16 ft	3.0	1.9	1.2	N/A
TPRSAEC 4J		7.0	5.1	3.8	2.8
TPRSAEC 5C		12.0	8.7	6.8	5.0
TPRSAEC 5J		10.5	7.6	5.6	4.2
TPRSAEC 4C	18 ft	5.8	4.1	2.9	2.0
TPRSAEC 4J		9.7	7.4	5.5	4.0
TPRSAEC 5C		8.5	6.3	4.3	3.0
TPRSAEC 5J					