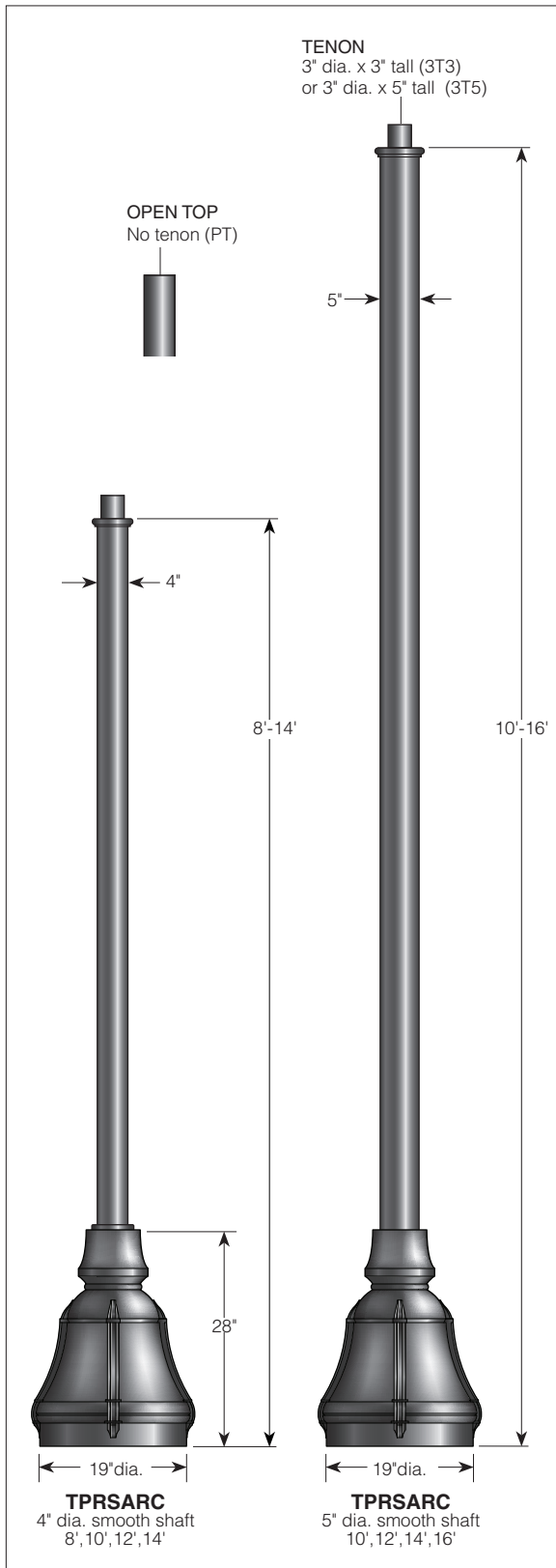


**Round Straight Aluminum Poles
with RC Base
TPRSARC**

Catalog Number:

Type:

Project:



Series	Height	Shaft Type	Mounting Method	Finish
--------	--------	------------	-----------------	--------

Sample Catalog no:

TPRSARC	8	4C	3T3	DBL
Series	Height	Shaft Type	Mounting Method	Finish
TPRSARC	8	4C 4" dia., .125" thk.	3T3 3 x 3" Tenon	DBL Black
	10	4J 4" dia., .25" thk.	3T5 3 x 5" Tenon	DDB Dark Bronze
	12	5C 5" dia., .125" thk.	PT Open Top	DNA Natural Aluminum
	14	5J 5" dia., .25" thk.		DWH White
	16			CM Custom Match
				CS Custom Select RAL colors

Note: See following page for details.

Construction

The poles are all aluminum, one-piece construction. The base is heavy wall, cast aluminum, 19" in diameter. The shafts are 4" or 5" diameter in smooth extruded aluminum. The shafts are double welded, inside and outside the base. All exposed welds below 10' are dressed. All welding is per AWS D1.2/D1.2M:2003. All welders are certified. All exposed hardware is tamper resistant stainless steel.

FINISH: The poles have a powder coat finish utilizing a premium TGIC polyester powder. The finish is a three-stage process which consists of drying, powder application and curing. Before coating, the parts are treated with a five-stage pretreatment process, consisting of a heated alkaline cleaner, rinse, phosphate coating, rinse and sealant.


Installation

The poles are provided with four, 3/4" diameter hot-dip galvanized L-type anchor bolts to be installed on a 14" diameter bolt circle. A door is provided in the base for anchorage and wiring access. A grounding screw is provided inside the base opposite the door. At the top of the poles is a tenon, 3" diameter by either 3" or 5" tall for luminaire or crossarm mounting or a no tenon option for mounting luminaires with internal expansion collars.

WARNING: Tersen reserves the right to modify specifications without notice. Any dimensions on this spec sheet is to be assumed as a reference dimension used for informational purposes only.

**Round Straight Aluminum Poles
with RC Base
TPRSARC**

ORDERING GUIDE

Series	<input type="checkbox"/> TPRSARC Tersen Poles - Round Straight Aluminum - RC Base
Height	<input type="checkbox"/> 8 8 feet <input type="checkbox"/> 10 10 feet <input type="checkbox"/> 12 12 feet <input type="checkbox"/> 14 14 feet <input type="checkbox"/> 16' 16 feet Poles with 4" diameter shafts are available with heights 8' - 14'. Poles with 5" diameter shaft is available with heights 10' - 16'.
Shaft Type	Smooth Straight <input type="checkbox"/> 4C 4" dia. - .125" thk <input type="checkbox"/> 4J 4" dia. - .25" thk <input type="checkbox"/> 5C¹ 5" dia. - .125" thk <input type="checkbox"/> 5J 5" dia. - .25" thk 1. 16' not available with 5C shaft type Note: Consult factory for appropriate shaft thickness.
Mounting Method	<input type="checkbox"/> 3T3² 3" dia. x 3" tall Tenon <input type="checkbox"/> 3T5 3" dia. x 5" tall Tenon <input type="checkbox"/> PT³ Open Top See luminaire and crossarm specifications for appropriate mounting method. 2. 3T3 is standard for most luminaires and some crossarms. 3. PT is an open topped shaft with no tenon. PT only available with 4C or 5C shaft.
Finish	<input type="checkbox"/> DBL Black <input type="checkbox"/> DDB Dark Bronze <input type="checkbox"/> DNA Natural Aluminum <input type="checkbox"/> DWH White <input type="checkbox"/> CM Custom Match <input type="checkbox"/> CS Custom Select  This choice requires that a custom powder be manufactured to match a specific color chip provided by the specifier. Tersen offers custom selected RAL powder coat colors. See chart (form 794.3) for cataloged optional colors or contact the factory.

Pole Series	Height	EPA Information (ft ²)			
		80mph	90mph	100mph	110mph
TPRSARC 4C	8 ft	10.7	8.5	6.7	5.4
TPRSARC 4J		20.7	16.2	13.1	10.7
TPRSARC 4C	10 ft	8.0	6.2	4.9	3.9
TPRSARC 4J		16.0	12.4	9.9	8.0
TPRSARC 5C		13.0	10.0	8.0	6.4
TPRSARC 5J	12 ft	25.8	20.1	16.1	13.2
TPRSARC 4C		6.3	4.7	3.5	2.8
TPRSARC 4J		12.7	9.8	7.7	6.2
TPRSARC 5C		10.3	7.8	6.0	4.8
TPRSARC 5J	14 ft	20.7	16.2	12.8	10.3
TPRSARC 4C		4.9	3.5	2.6	1.9
TPRSARC 4J		10.4	7.9	6.1	4.8
TPRSARC 5C	16 ft	8.2	6.1	4.6	3.5
TPRSARC 5J		17.1	13.2	10.4	8.3
TPRSARC 5J	16 ft	14.3	10.9	8.4	6.6

