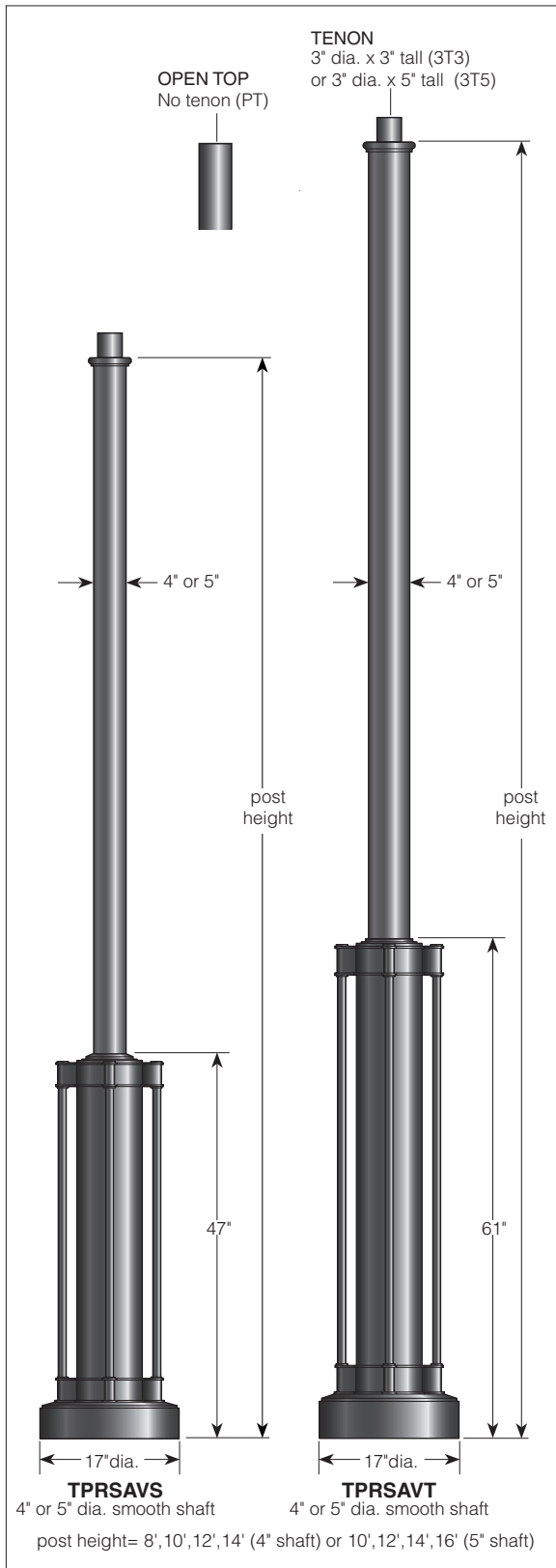


# Round Straight Aluminum Poles with VS & VT Bases TPRSAVS & TPRSAVT

Catalog Number:

Type:

Project:



Series	Height	Shaft Type	Mounting Method	Finish
--------	--------	------------	-----------------	--------

### Sample Catalog no:

TPRSAVS	8	4C	3T3	DBL
Series	Height	Shaft Type	Mounting Method	Finish
<b>TPRSAVS</b>	<b>8</b>	<b>4C</b> 4" dia., .125" thk.	<b>3T3</b> 3 x 3" Tenon	<b>DBL</b> Black
	<b>10</b>	<b>4J</b> 4" dia., .25" thk.	<b>3T5</b> 3 x 5" Tenon	<b>DDB</b> Dark Bronze
<b>TPRSAVT</b>	<b>12</b>	<b>5C</b> 5" dia., .125" thk.	<b>PT</b> Open Top	<b>DNA</b> Natural Aluminum
	<b>14</b>	<b>5J</b> 5" dia., .25" thk.		<b>DWH</b> White
	<b>16</b>			<b>CM</b> Custom Match
				<b>CS</b> Custom Select RAL colors

Note: See following page for details.

### Construction

The poles are all aluminum, one-piece construction. The base is heavy wall, cast aluminum, and aluminum extrusion, 17" in diameter. The shafts are 4" or 5" diameter in smooth extruded aluminum. The shafts are double welded, inside and outside the base. All exposed welds below 10' are dressed. All welding is per AWS D1.2/D1.2M:2003. All welders are certified. All exposed hardware is tamper resistant stainless steel.

**FINISH:** The poles have a powder coat finish utilizing a premium TGIC polyester powder. The finish is a three-stage process which consists of drying, powder application and curing. Before coating, the parts are treated with a five-stage pretreatment process, consisting of a heated alkaline cleaner, rinse, phosphate coating, rinse and sealant.





### Installation

The poles are provided with four, 3/4" diameter hot-dip galvanized L-type anchor bolts to be installed on a 11" diameter bolt circle. Two doors are provided in the base for anchorage and wiring access. A grounding screw is provided inside the base accessible from the doors. At the top of the poles is a tenon, 3" diameter by either 3" or 5" tall for luminaire or crossarm mounting or a no tenon option for mounting luminaires with internal expansion collars.

**WARNING:** Tersen reserves the right to modify specifications without notice. Any dimensions on this spec sheet is to be assumed as a reference dimension used for informational purposes only.

**Round Straight Aluminum Poles  
with VS & VT Base  
TPRSAVS & TPRS AVT**

# ORDERING GUIDE

<b>Series</b>	<input type="checkbox"/> <b>TPRSAVS</b> Short Base <input type="checkbox"/> <b>TPRS AVT</b> Tall Base	Tersen Poles - Round Straight Aluminum - VS & VT BASE			
<b>Height</b>	<input type="checkbox"/> <b>8</b> 8 feet <input type="checkbox"/> <b>10</b> 10 feet <input type="checkbox"/> <b>12</b> 12 feet <input type="checkbox"/> <b>14</b> 14 feet <input type="checkbox"/> <b>16'</b> 16 feet	Poles with 4" diameter shafts are available with heights 8' - 14'. Poles with 5" diameter shaft is available with heights 10' - 16'.			
<b>Shaft Type</b>	<input type="checkbox"/> <b>4C</b> 4" dia. - .125" thk 1. 16' not available with 5C shaft type <input type="checkbox"/> <b>4J</b> 4" dia. - .25" thk <input type="checkbox"/> <b>5C'</b> 5" dia. - .125" thk <input type="checkbox"/> <b>5J</b> 5" dia. - .25" thk	Note: Consult factory for appropriate shaft thickness.			
<b>Mounting Method</b>	<input type="checkbox"/> <b>3T3<sup>2</sup></b> 3" dia. x 3" tall Tenon 2. 3T3 is standard for most luminaires and some crossarms. 3. PT is an open topped shaft with no tenon. PT only available with 4C or 5C shaft. <input type="checkbox"/> <b>3T5</b> 3" dia. x 5" tall Tenon <input type="checkbox"/> <b>PT<sup>3</sup></b> Open Top	See luminaire and crossarm specifications for appropriate mounting method.			
<b>Finish</b>	<input type="checkbox"/> <b>DBL</b> Black  <input type="checkbox"/> <b>DDB</b> Dark Bronze  <input type="checkbox"/> <b>DNA</b> Natural Aluminum  <input type="checkbox"/> <b>DWH</b> White  <input type="checkbox"/> <b>CM</b> Custom Match <input type="checkbox"/> <b>CS</b> Custom Select	This choice requires that a custom powder be manufactured to match a specific color chip provided by the specifier.         Tersen offers custom selected RAL powder coat colors. See chart (form 794.3) for cataloged optional colors or contact the factory.			

Pole Series	Height	EPA Information (ft2)			
		80mph	90mph	100mph	110mph
TPRSAVS 4C	8 ft	14.0	11.1	8.8	7.3
TPRSAVS 4J		26.7	21.1	17.0	14.0
TPRSAVS 4C	10 ft	10.0	7.8	6.2	5.0
TPRSAVS 4J		19.5	15.3	12.3	10.0
TPRSAVS 5C		16.2	12.5	10.1	8.2
TPRSAVS 5J		24.6	19.2	15.3	12.5
TPRSAVS 4C	12 ft	7.6	5.8	4.6	3.6
TPRSAVS 4J		15.1	11.8	9.4	7.6
TPRSAVS 5C		12.4	9.6	7.6	6.0
TPRSAVS 5J		20.3	15.6	12.4	9.9
TPRSAVS 4C	14 ft	5.9	4.4	3.4	2.6
TPRSAVS 4J		12.1	9.4	7.4	5.9
TPRSAVS 5C		9.7	7.4	5.7	4.5
TPRSAVS 5J		17.0	13.0	10.1	8.0
TPRSAVS 5J	16 ft	14.3	10.8	8.3	6.5

Pole Series	Height	EPA Information (ft2)			
		80mph	90mph	100mph	110mph
TPRS AVT 4C	8 ft	22.1	17.3	14.1	11.5
TPRS AVT 4J		31.2	24.5	19.7	16.2
TPRS AVT 4C	10 ft	14.0	11.0	8.8	7.3
TPRS AVT 4J		23.2	18.3	14.7	12.1
TPRS AVT 5C		22.2	17.5	14.3	11.6
TPRS AVT 5J		24.7	19.3	15.4	12.6
TPRS AVT 4C	12 ft	10.1	7.9	6.2	5.0
TPRS AVT 4J		17.5	13.7	10.9	8.9
TPRS AVT 5C		16.2	12.5	10.1	8.2
TPRS AVT 5J		20.4	15.7	12.5	10.0
TPRS AVT 4C	14 ft	7.6	5.8	4.6	3.6
TPRS AVT 4J		13.8	10.7	8.5	6.8
TPRS AVT 5C		12.5	9.6	7.6	6.0
TPRS AVT 5J		17.0	13.0	10.2	8.1
TPRS AVT 5J	16 ft	14.4	10.9	8.4	6.5

