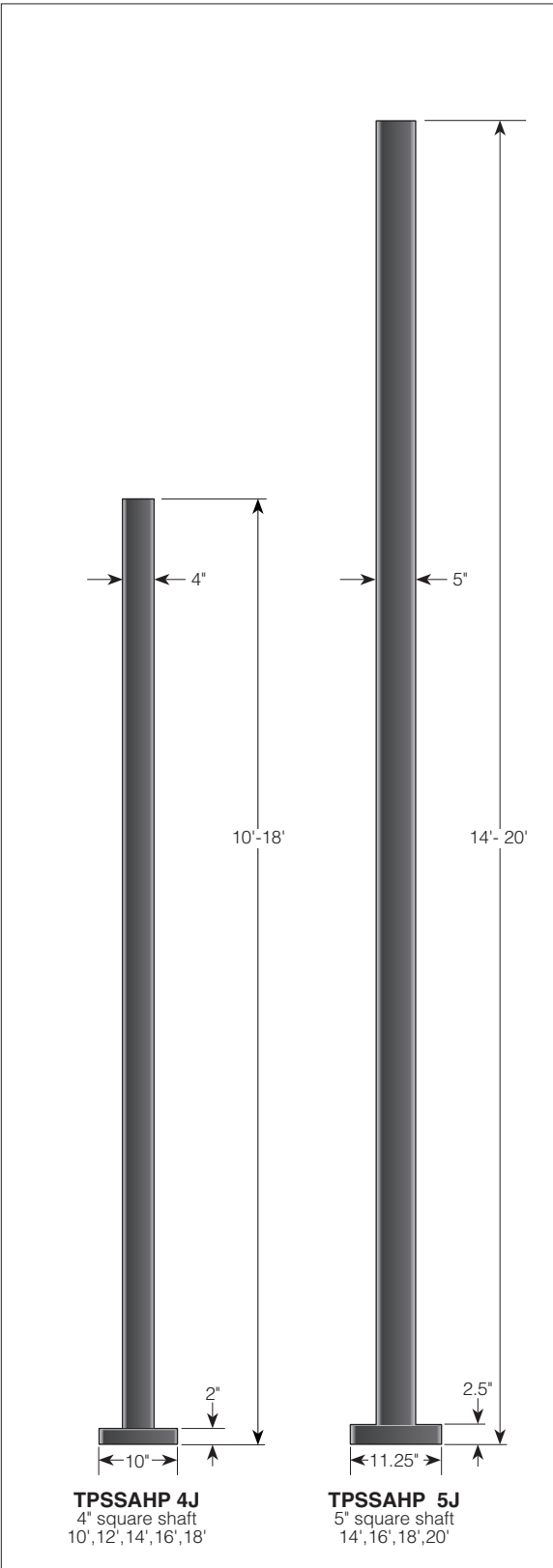


Square Straight Aluminum Poles with HP Base TPSSAHP

Catalog Number:

Type:

Project:



Series	Height	Shaft Type	Mounting Method	Options	Finish
--------	--------	------------	-----------------	---------	--------

Sample Catalog no:

TPSSAHP	10	4J	DM19HP	CAP	DBL
Series	Height	Shaft Type	Mounting Method	Options	Finish
TPSSAHP	10	4J 4" sq., .25" thk.	(blank)	CAP	DBL Black
	12	5J 5" sq., .25" thk.	DM19HP		DDB Dark Bronze
	14		DM28HP		DTG Dark Green
	16		DM29HP		DBNS Copper Brown
	18		DM39HP		DCRW Brown Beige
	20		DM49HP		DCRU Beige
					CM Custom Match
					CS Custom Select

Note: See following page for details.

Construction

The poles are constructed of a square shaft of extruded aluminum and a square integral permanent mold cast aluminum base. The shafts are straight 4" or 5", bases are 10" or 11.25" square. All exposed hardware is tamper resistant stainless steel.

FINISH: The poles have a powder coat finish that uses premium TGIC polyester powder. The finish is a three-stage process that consists of drying, powder application and curing. Before coating, the parts are treated with a five-stage pretreatment process, consisting of a heated alkaline cleaner, rinse, phosphate coating, rinse and sealant.

Installation

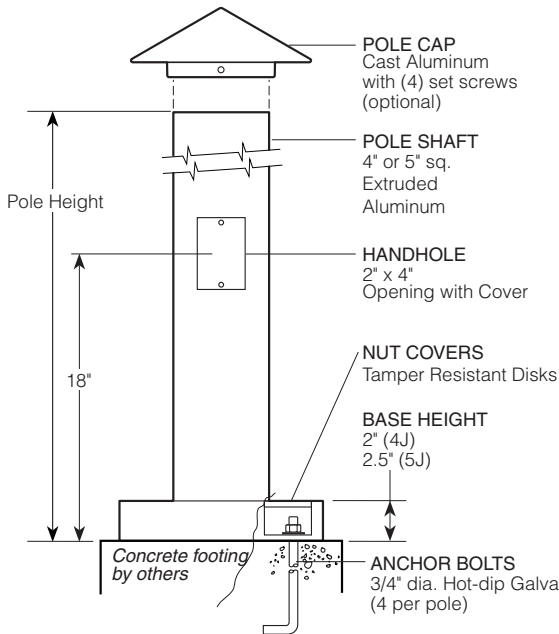
The poles are provided with four, 3/4" hot-dip galvanized L-type anchor bolts to be installed on a 9" diameter bolt circle for 4" poles and an 11" diameter bolt circle for 5" poles. The anchor bolt recesses in the anchor base casting are flush covered by four, tamper resistant aluminum nut cover disks. A grounding screw is provided inside the handhole. A peripherally reinforced surface-mounted covered handhole is centered 18" above the bottom of the pole for wiring access. For pole with arms, a pole top cap is available and secured with four, set screws.

WARNING: Tersen reserves the right to modify specifications without notice. Any dimensions on this spec sheet is to be assumed as a reference dimension used for informational purposes only.

**Square Straight Aluminum Poles
with HP Base
TPSSAHP**

ORDERING GUIDE

Series	<input type="checkbox"/> TPSSAHP Tersen Poles - Square Straight Aluminum - HP Base
Height	<input type="checkbox"/> 10 10 feet <input type="checkbox"/> 12 12 feet <input type="checkbox"/> 14 14 feet <input type="checkbox"/> 16 16 feet <input type="checkbox"/> 18 18 feet <input type="checkbox"/> 20 20 feet Poles with 4" square shafts are available with heights 10' - 18'. Poles with 5" square shaft are available with heights 14' - 20'.
Shaft Type	<u>Square Straight</u> <input type="checkbox"/> 4J 4" square - .25" thk <input type="checkbox"/> 5J 5" square - .25" thk
Mounting Method	<input type="checkbox"/> blank no drill pattern <input type="checkbox"/> DM19HP 1 @ 90° <input type="checkbox"/> DM28HP 2 @ 180° <input type="checkbox"/> DM29HP 2 @ 90° <input type="checkbox"/> DM39HP 3 @ 90° <input type="checkbox"/> DM49HP 4 @ 90° Drill mounting pattern is required with a TAHP24 arm. The pattern center is located at 12" below pole top with degree orientation counterclockwise from the door location (exp. 2 @ 180° = 0° and 180°, 2 @ 90° = 90° and 270°). For different locations an Orientation Guide Drawing (OD) is required. See website or contact factory for more info.
Options	<input type="checkbox"/> CAP Cast Aluminum Pole Top Cap When using a TAHP24 arm with pendant mount luminaire, the cap can be use at the pole top
Finish	<input type="checkbox"/> DBL Black <input type="checkbox"/> DDB Dark Bronze <input type="checkbox"/> DTG Dark Green <input type="checkbox"/> CM Custom Match <input type="checkbox"/> CS Custom Select This choice requires that a custom powder be manufactured to match a specific color chip provided by the specifier. Tersen offers custom selected RAL powder coat colors. See chart (form 794.3) for cataloged optional colors or contact the factory.



Pole Series	Height	EPA Information (ft2)			
		80mph	90mph	100mph	110mph
TPSSAHP 4J	10 ft	21.0	16.0	13.0	10.5
TPSSAHP 4J	12 ft	18.2	13.7	10.5	8.2
TPSSAHP 4J	14 ft	14.5	10.7	8.0	6.0
TPSSAHP 5J		18.0	13.7	10.6	8.5
TPSSAHP 4J	16 ft	9.1	6.4	4.5	3.1
TPSSAHP 5J		16.6	12.2	9.0	6.7
TPSSAHP 4J	18 ft	7.0	4.6	3.0	1.8
TPSSAHP 5J		13.4	9.5	6.7	4.7
TPSSAHP 5J	20 ft	10.8	7.3	4.8	2.9

