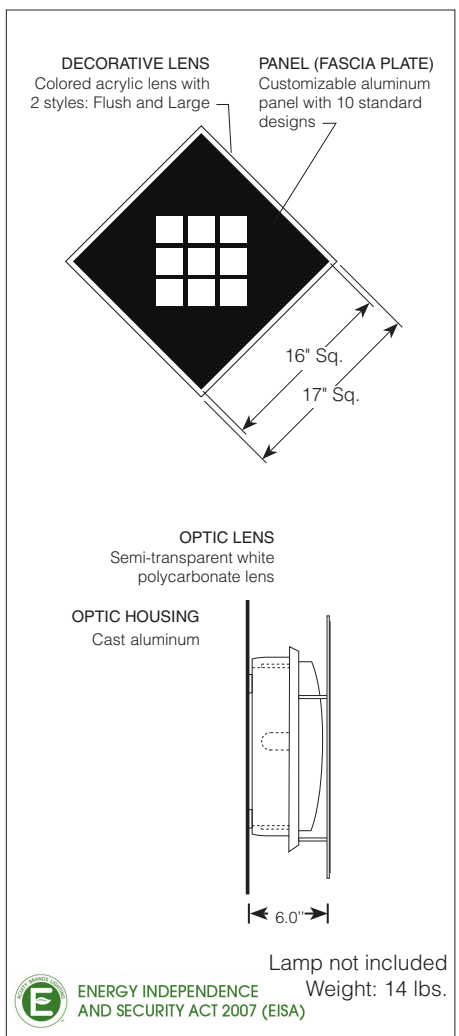


**Sample Catalog no:**

TLFAD 10	33LED 700MA	MVOLT	FWHITE		P1	DBL		
Series	Lamp Type	Voltage	Lens		Panel		Finish	
TLFAD10	33LED 700MA 33LED 500MA	MVOLT	FWHITE	LWHITE	P1	P7	DBLB	Black Textured
			FYELLOW	LYELLOW	P2	P8	DBBT	Dk. Bronze Text.
			FORANGE	LORANGE	P3	P9	DNAT	Aluminum Text.
			FGREEN	LGREEN	P4	P10	DWHG	White Textured
			FRED	LRED	P5	PCM	CM	Custom Match
			FBLUE	LBLUE	P6		CS	Custom Select
			FCM	LCM				



**Construction**  
 The luminaire bezel is one-piece, die-cast aluminum construction, .125" thick. The bezel encloses the lens and secures it to the one-piece die-cast housing with stainless steel tamper resistant screws. The housing has a four-hole mounting detail for installation directly over an outlet box, or conduit entry through three 1/2" threaded openings on the side or a 3/4" threaded opening on rear surface. The perimeter lens gasket is a one-piece silicone "O" ring. The pad mounting gasket is closed-cell neoprene that seals the housing to mounting surfaces. The .09" laser cut aluminum fascia plate and decorative acrylic lens are secured to the bezel by three aluminum standoffs using stainless steel hex head screws.

**Optics**  
 The optic lens is made of translucent white injection molded polycarbonate. The lens is UV stabilizing and .125" thick. The decorative lens is available in two styles, flush or large, and 6 colors.


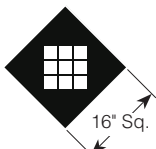
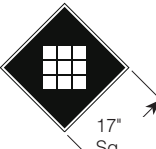
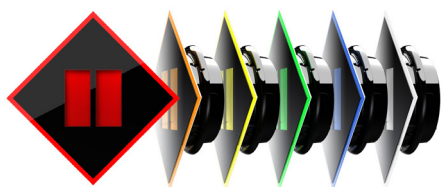
**Installation**  
 The luminaire is surface mounted. To install first loosen the two socket head set screws to free bezel/fascia assembly and lens from the housing. For maximum vandal resistance, use the four mounting holes provided to affix the luminaire to surface. Use a 9/32" drill bit to clear the mounting holes. Mount over outlet box or use surface conduit wire entry for electrical connection. Note: 150°C wire must be used at 150° surface conduit entry port as labeled. Remove backing from pad gasket provided and place on back square portion of housing then place the four small circular gaskets on mounting bosses.

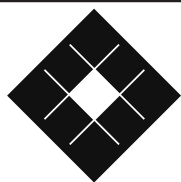
**Listing**  
 The luminaire is tested to and meets all NRTL's outdoor requirement standards, wet location use, through the fully accredited and approved CSA laboratory. Luminaire is IP65 rated.

WARNING: Tersen reserves the right to modify specifications without notice.



## ORDERING GUIDE

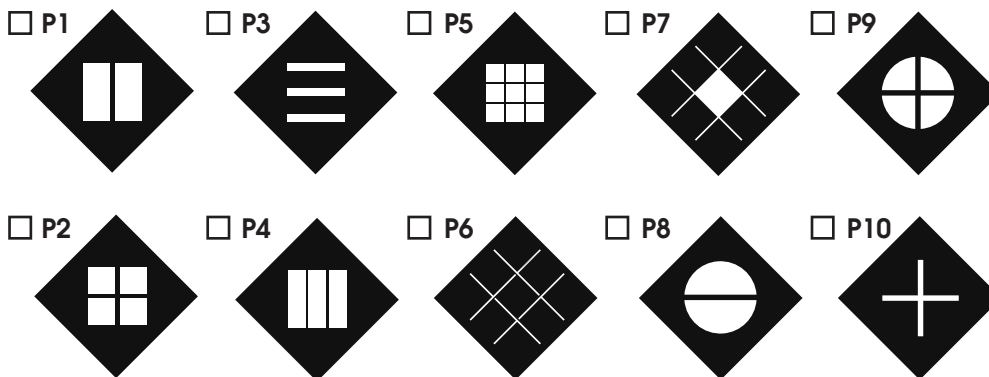
<p><b>Series</b></p>	<p><input type="checkbox"/> <b>TLFAD10</b> <u>Tersen Luminaires - Facade 1.0 Diamond</u></p> 
<p><b>Lamp Type</b></p>	<p><input type="checkbox"/> <b>33LED 700MA</b> 4100K, 33 watt, 700mA, 2000 Lumens</p> <p><input type="checkbox"/> <b>33LED 500MA</b> 4100K, 33 watt, 500mA, 1600 Lumens</p>
<p><b>Voltage</b></p>	<p><input type="checkbox"/> <b>MVOLT</b> 120-277 volt</p>
<p><b>Lens</b></p>	<p><u>Decorative Lens - Flush</u></p> <p><input type="checkbox"/> <b>FWHITE</b> White <input type="checkbox"/> <b>FYELLOW</b> Yellow <input type="checkbox"/> <b>FORANGE</b> Orange <input type="checkbox"/> <b>FGREEN</b> Green <input type="checkbox"/> <b>FRED</b> Red <input type="checkbox"/> <b>FBLUE</b> Blue <input type="checkbox"/> <b>FCM</b> Custom</p> <p><u>Decorative Lens - Large</u></p> <p><input type="checkbox"/> <b>LWHITE</b> White <input type="checkbox"/> <b>LYELLOW</b> Yellow <input type="checkbox"/> <b>LORANGE</b> Orange <input type="checkbox"/> <b>LGREEN</b> Green <input type="checkbox"/> <b>LRED</b> Red <input type="checkbox"/> <b>LBLUE</b> Blue <input type="checkbox"/> <b>LCM</b> Custom</p>   <p>Decorative lens is acrylic and mounts behind the decorative front panel. The lens is either cut flush to the size of the panel or is larger than the panel by .5" all around.</p> 



## ORDERING GUIDE

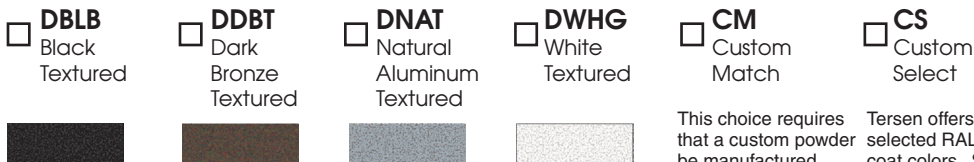
### Panel

Decorative Panel/Fascia Plate with Cutout Designs

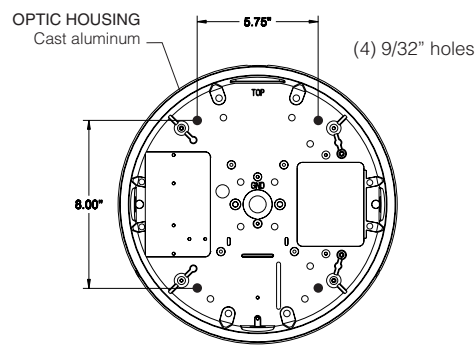
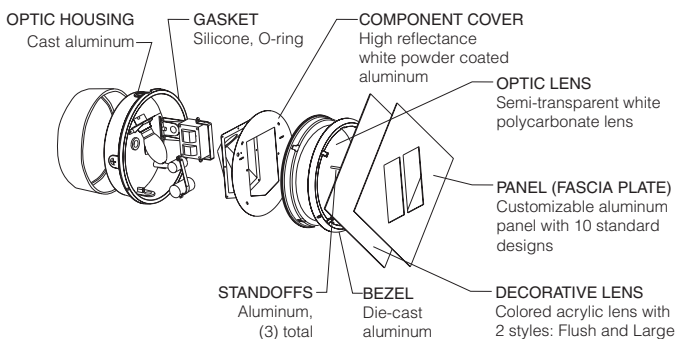


**PCM** Custom Panel Design Custom logos, lettering, or designs can be cut into the fascia plate panel.

### Finish



This choice requires that a custom powder be manufactured to match a specific color chip provided by the specifier. Tersen offers custom selected RAL powder coat colors. See chart (form 794.3) for cataloged optional colors or contact the factory.



MOUNTING HOLE DETAIL