

Roadway Series 115

Roadway Lighting
50-400W HPS, 70-250W MH

PRODUCT OVERVIEW



Features:

Rugged die-cast aluminum housing is powder-coated for durability and corrosion resistance

Two-bolt mast arm mount provides easy, secure installation and adjustability for arms from 1-1/4" to 2" (1-5/8" to 2-3/8" O.D.) diameter. Optional four-bolt mounting provides extra security in high-vibration applications

Die-cast trigger latch on doorframe enables easy and secure one-hand opening for re-lamping and maintenance

Large surface area "breathing seal" gasket seals the optical chamber to prevent intrusion by insects and environmental contaminants. Heat-resistant gasket material remains effective over the life of the fixture

Wildlife shield is cast into the housing (not a separate piece) on the two-bolt unit and is easily adjustable for 1-1/4" to 2" (1-5/8" to 2-3/8" O.D.) mast arms

Photocontrol receptacle is adjustable without tools

Anodized aluminum reflectors provide uniform lighting distribution with borosilicate glass, acrylic, or polycarbonate refractor

Surge protection device (standard with ELBD models) exceeds IEEE/ANSI C62.41 Category C criteria

New DTL photocontrol for solid-state lighting (available with PCSS option) exceeds ANSI C136.10 criteria

NEMA wattage label, terminal block, and NEMA photocontrol receptacle are standard

All electrical components warranted by American Electric Lighting's 6-year guarantee

E39 mogul base socket standard

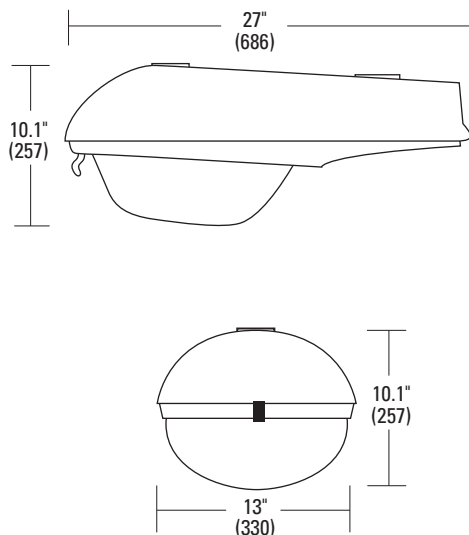
Suitable for -30°C MH / -40°C HPS

Complies with ANSI: C136.2, C136.10, C136.14, C136.15, C136.17, C136.31

Applications:

Roadways
Residential streets
Storage areas
Parking lots
Campuses
Parks

DIMENSIONS



Effective Projected Area (EPA)

The EPA for the Horizontal Luminaire Series 115 is 0.9 sq. ft.
Approx. Wt. = 19 lbs.

PREFERRED SELECTION CATALOG NUMBERS

115 10S RN 120 R2 DA

115 15S CA MT1 R2 DA EC

115 15S RH 120 R2 DA

115 25S CA MT1 R3 DG EC

Roadway Series 115

Roadway Lighting

50-400W HPS, 70-250W MH

ORDERING INFORMATION

Example: 115 15S RN 120 R2 DG LC PC

Series	Wattage / Source		Ballast	Voltage	Distribution
115 Single Door Cobrahead	05	50W	S HPS	120	R2 Roadway Type II
	07	70W	M MH ²	208	R3 Roadway Type III
	10	100W		240	RX Roadway Type II 4-way ⁴
	13	100/150W Wired 100W	RN Reactor Normal Power Factor	277	<i>Refer to optic distribution matrix below for compatibility.</i>
	14	100/150W Wired 150W	RH Reactor High Power Factor	347	
	15	150W	XN High Reactance (Lag) Normal Power Factor	480	
	17	175W ¹	XH High Reactance (Lag) High Power Factor	MT1 Multi-tap Wired 120V	
	20	200W	CA CWA ²	MT8 Multi-tap Wired 208V	
	25	250W ¹	CT CWI	MT2 Multi-tap Wired 240V	
	40	400W	SC SCWA	MT7 Multi-tap Wired 277V	
		MR Mag Reg (3 Coil)	TT3 Tri-tap Wired 347V		
		ELBD Electronic Ballast/ Driver ³	DT2 Dual Tap 120/240 Wired 240V		
			DT4 Dual Tap 240/480 Wired 480V		

Optics

DA	Drop Acrylic Prismatic Refractor ⁵
DP	Drop Polycarbonate Prismatic Refractor
DG	Drop Glass Prismatic Refractor

¹ See ballast matrix for EISA compliant options

Options

Mounting

(blank)	2-bolt Internal
EF	External Fitter (2-bolt only)
4B	4-bolt Internal
M2	2-bolt Internal 2" Setting
E2	External Fitter 2" Mast Arm (2-bolt only)

Paint⁶

(blank)	Gray (standard)
BK	Black
BZ	Bronze
DDB	Dark Bronze
WH	White
UP	Unpainted

Terminal Block

(blank)	Terminal Block (standard)
T2	Wired to L1 to L2 Position
T3	3 Wire Operation (L1, N, L2 Position) ⁷

Listing

UL	UL Listed
CS	CSA Certified

Fusing⁸

SF	Single Fuse (120, 277, 347V)
DF	Double Fuse (208, 220, 240, 480V)

Photocontrol Receptacle

(blank)	NEMA Photocontrol Receptacle (standard)
NR	No Photocontrol Receptacle ⁹

Lamp

LC	Lamp Included, Clear
LD	Lamp Included, Deluxe/Coated

Starter⁵

(blank)	Open Board (standard)
EC	Encapsulated Plug-in
OP	Open Plug-in

Misc.

PC	Photocontrol Included per Voltage Specified ⁹
PCSS	Solid-State Lighting Photocontrol (120-277V) ⁹
BL	Bubble Level
SS	Stainless Steel Fasteners (external)
CF	Charcoal Filter
PL	Distribution Pattern Indicator Label
LA	Lightning Arrestor (Void UL/CSA Certified Options)
SH	Shorting Cap ⁹
HK	Hinge Keeper
BF	3G Vibration ¹⁰
RG	Rubber Silicone Optical Gasket

Notes:

- When ordered with metal halide, these wattages do not comply with California Title 20 regulations
- CA ballast not available with 175W - 400W metal halide in the U.S.; must use SC
- 100 and 150W HPS and 150W MH only; 150W HPS requires S56 lamp
- DG option only
- For HPS products only
- Other colors available, please contact your local American Electric Lighting representative
- T3 option only available with 240, 480, DT2, DT4, MT2
- Not available in MT, TT, DT voltages
- PC, PCSS and SH not available with NR option
- Tested to withstand 3G vibration; 4B option required

Optic Distribution

	R2 DA	R3 DA	R2 DP	R3 DP	R2 DG	R3 DG	RX DG
05S	◆	◆	◆	◆	◆	◆	◆
07S	◆	◆	◆	◆	◆	◆	◆
07M	-	-	◆	-	◆	-	◆
10S	◆	◆	◆	◆	◆	◆	◆
10M	-	-	◆	-	◆	◆	◆
15S	◆	◆	◆	◆	◆	◆	◆
13S	◆	◆	◆	◆	◆	◆	◆
14S	◆	◆	◆	◆	◆	◆	◆
15M	-	-	◆	-	◆	◆	◆
17M	-	-	◆	◆	◆	◆	◆
20S	-	-	◆	◆	◆	◆	◆
25S	-	-	◆	◆	◆	◆	◆
25M	-	-	◆	◆	◆	◆	◆
40S	-	-	-	-	◆	◆	◆

BALLAST MATRIX

Roadway 115

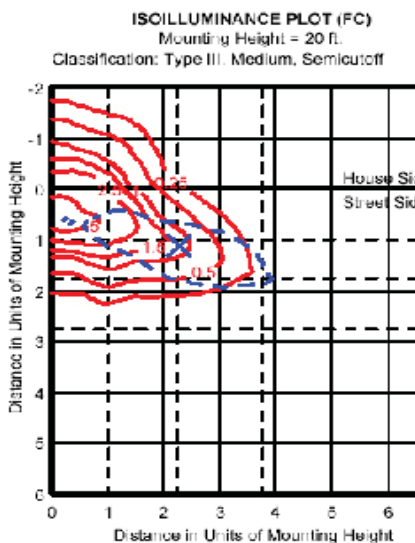
Watts	120	208	240	277	347	480	DT2	DT4
05S	RH,RN	-	-	XN	-	-	-	-
07S	CA,CT,RH,RN	XN,XH,CA,CT	XN,XH,CA,CT	XN,XH,CA	XH,XN	CA	XN,XH,CA,CT	-
07M	XN,XH	XN,XH	XN,XH	XN,XH	-	-	-	-
10S	CA,CT,ELBD,MR,RH,RN	CA,CT,ELBD,XN,XH	CA,CT,ELBD,MR,XH,XN	CA,ELBD,XH,XN	-	CA	CA,CT,MR,XH,XN	-
10M	XN,XH	XN,XH	XN,XH	XN,XH	-	-	-	-
15S	CA,CT,ELBD,MR,RH,RN	CA,CT,ELBD,XN,XH	CA,CT,ELBD,MR,XH,XN	XN,XH,ELBD,CA,CT	XH,XN	CA,MR,XN,XH	CA,CT,MR,XH,XN	-
13S	RN,RH	-	-	-	-	-	-	-
14S	RN,RH	-	-	-	-	-	-	-
15M	XN,XH,ELBD	XN,XH,ELBD	XN,XH,ELBD	XN,XH,ELBD	-	-	-	-
Ⓔ 17M	SC	SC	SC	SC	SC	SC	SC	-
20S	CA,CT,XN,XH	CA,CT	CA,CT,RN,RH,XN,XH	CA,CT	-	CA,CT	CA,CT,XN,XH	MR
25S	CA,CT,XN,XH	CA,CT	CA,CT,RN,RH,XN,XH	CA,CT	-	CA,CT	CA,CT,XN,XH	MR
Ⓔ 25M	SC	SC	SC	SC	SC	SC	SC	SC
40S	-	RN,RH	RN,RH	-	-	-	-	-

Roadway 115 continued

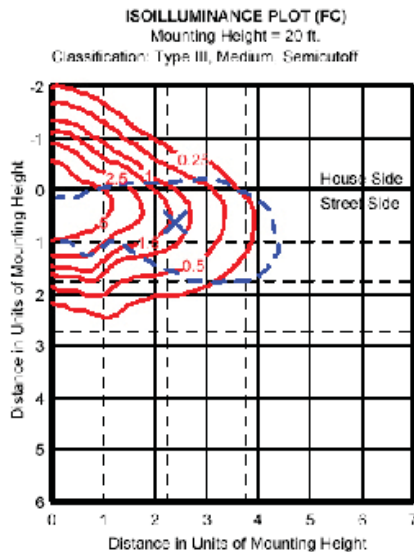
Watts	MT1	MT2	MT7	TT3
05S	-	-	-	-
07S	CA,XH,XN	CA,XH,XN	CA,XH,XN	XH,XN
07M	-	-	-	-
10S	CA,CT,XH,XN	CA,CT,XH,XN	CA,CT,XN,XH	-
10M	XH,XN	XH,XN	XH,XN	-
15S	CA,CT,XH,XN	CA,CT,XH,XN	CA,CT,XH,XN	XH,XN
13S	-	-	-	-
14S	-	-	-	-
15M	-	-	-	XH,XN
Ⓔ 17M	SC	SC	SC	-
20S	CA,CT	CA,CT	CA,CT	-
25S	CA,CT	CA,CT	CA,CT	CA
Ⓔ 25M	SC	SC	SC	SC
40S	-	-	-	-

PHOTOMETRICS

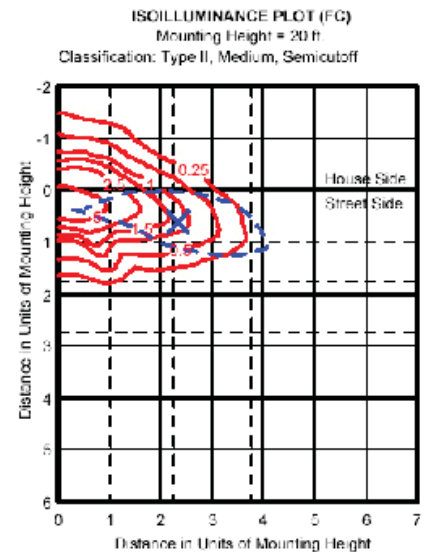
115 15S R3 DA



115 25S R3 DG



115 15S R2 DP



X Maximum Intensity
- - - 1/2 Maximum Intensity

Roadway Series 115

Roadway Lighting

50-400W HPS, 70-250W MH
