

HIF Tall Aisle Luminaire

U.S. Patent Pending



FEATURES

- Extremely high fixture efficiencies, delivering higher vertical foot candles at user height in aisles than standard metal halide high bays using only 1/3 the watts.
- Provides uniform illumination of stored goods, thereby improving visibility and minimizing errors.
- Angle of focused distribution is factory-set to 6° from nadir (standard) and directed to opposing sides. Reflectors are mounted away from center to decrease angle of incidence and increase vertical illumination. 0° (straight-down) distribution is also available.
- Solid lightweight construction.
- Easily accommodates required clearances around standard fire sprinklers.
- Top-access ballasts: No need to remove lamps or reflectors to service the ballasts.
- Open center allows cooler ballast operation for longer ballast life.
- Simple to install, either as a monopoint (4' only) using an accessory tong hanger or as 2-point support using accessory trapeze hangers with cable or chain.
- Variety of optional factory-equipped cords & plugs for quick electrical connection.
- Optional built-in occupancy sensor with bisymmetric view, ideal for high bay aisle layouts.

APPLICATIONS

Especially designed for tall warehouse aisles in distribution centers and other high rack storage areas, where the emphasis is on illuminating labels on stored goods.

MODELS AVAILABLE

Fixture Schedule						Fixture ID#	
HIF							
Fixture Series							
Housing S - Standard T - Heavy-Duty							
Nominal Length 4 - 4' 8 - 8'							
		Photometry F - Focus		Uplight S - Vented Only U - Uplight			
			Distribution 06 - 6° degree asymmetric TT - 0° degree symmetric		Electronic Ballast Type EP - T8 Instant-Start YP - T8 High BF I.S. MK - T5HO Program-Start		Voltage 1 - 120v 2 - 277v U - universal H - 480v
		Reflector Material X - Miro4 .020" Y - Miro4 .032"			Ballast Quantity 1 - One 2 - Two		Options
				Lamp Configuration K42 - 2 F54T5HO (4') O42 - 2 F32T8 (4') K45 - 4 F54T5HO (8') O45 - 4 F32T8 (8')			Ballast - _____ Wiring - _____ Mounting - _____ Sensor - <u>SNBE</u> Other - _____

Not all photometric configurations available with every lamp configurations
Not all ballast types and quantities available with every lamp configurations
Contact your sales representatives for more information.

SPECIFICATIONS

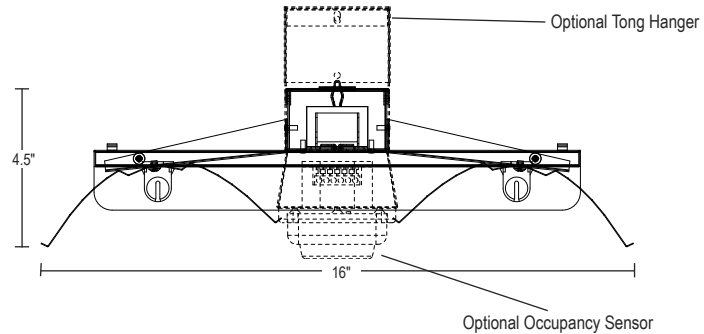
Housing: Fully assembled with rivets and screws, 22 gauge cold rolled steel is standard, with heavy-duty 20 gauge CRS available. Standard finish is high-gloss white baked enamel. Optional post-painted baked polyester powdercoat finish in a variety of colors is available.

Reflector: Precision-formed segmented reflector, using Miro4 enhanced aluminum with 95% total reflectance, .020" thick standard; heavier gauge .032" thick available. Uplight slots are optional.

Electrical: UL/CUL labeled. Rotary-locking lampholders. Ballasts are electronic ClassP, high power factor, non-PCB, sound-rated A. Many ballast options are available.

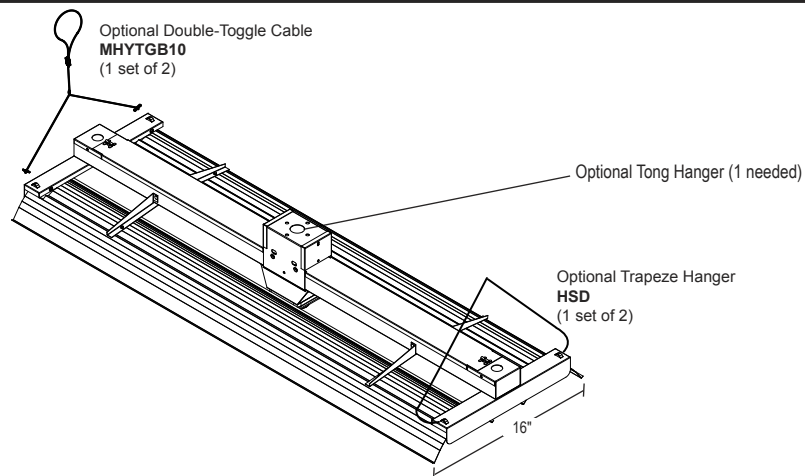
Mounting : The HIF series is designed to be suspended by chain, cable, rod, or pendant.

CROSS SECTIONS

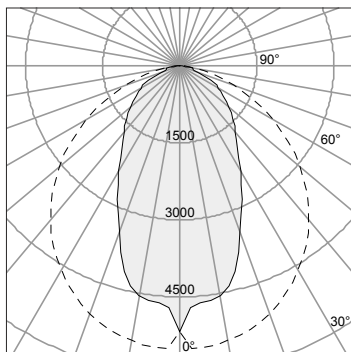


Drawings for dimensional detail only. Subject to change without notice.

FIXTURE DETAIL



PHOTOMETRY



HIFSF06SK42MK11
Test #ABA200563_H
Fixture Efficiency: 101.6%
SC Across: 0.8, SC Along: 1.3