

SPECIFICATIONS

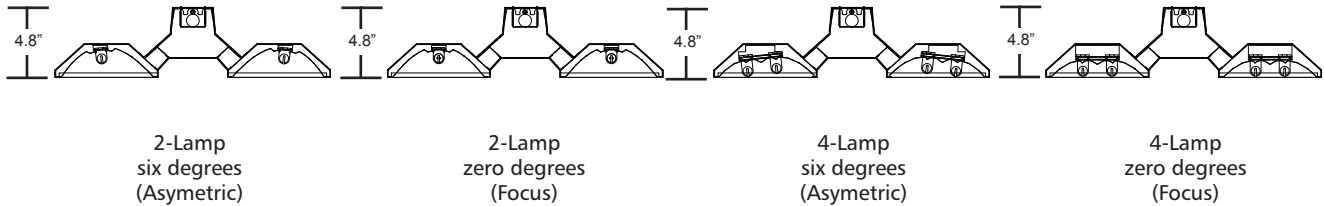
Housing: Fully assembled with rivets and screws, 22 gauge cold rolled steel is standard. Heavy-duty 20 gauge CRS is available. Standard finish is post-painted baked polyester white powdercoat. Other colors available.--

Reflector: Precision-formed segmented reflector, using Miro4 enhanced aluminum with 95% total reflectance: .020" thick standard, .032" available. Narrow vent slots are standard; Uplight slots are optional.

Electrical: UL/CUL labeled for damp location. Rotary-locking lampholders. Ballasts are electronic ClassP, high power factor, non-PCB, sound-rated A, programmed start for T5HO lamps.

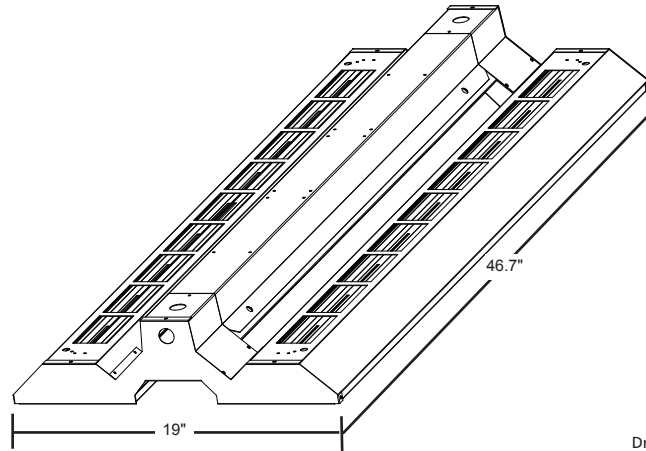
Mounting: The HIW series is designed to be suspended by chain, cable, rod, or pendant.--

CROSS SECTIONS



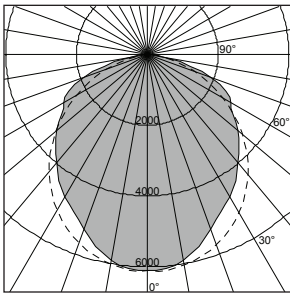
Drawings subject to change without notice.

FIXTURE DETAIL

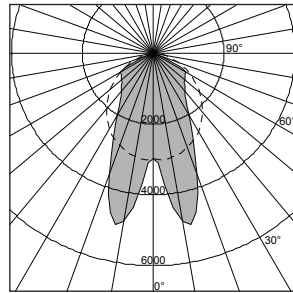


Drawings subject to change without notice.

PHOTOMETRY



HIWS04XANNSK44MK1U PAF
Test #ABA200773_H
Fixture Efficiency: 91.0%
SC Across: 1.1, SC Along: 1.2



HIWS04XANNSK42MK1U PAF
Test #ABA200774_H
Fixture Efficiency: 87.7%
SC Across: 1.1, SC Along: 1.2