

Commercial Channel



APPLICATIONS

Designed to provide maximum efficiency lighting for institutional, industrial, and commercial environments, the HSM commercial channel offers a variety of photometry to suit a range of application needs.

FEATURES

This efficient, commercial channel is available in 4' and 8' nominal lengths.

Specular reflector/ballast cover secured by captive quarter-turn fasteners for easy access to wireway.

High-gloss, baked white enamel finish.

Combination endplate/channel connector furnished with each fixture.

SPECIFICATIONS

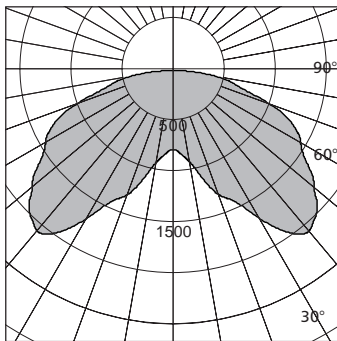
HOUSING: Formed from cold rolled, pre-painted steel. Five stage iron-phosphate pretreatment ensures superior paint adhesion and rust resistance. Painted parts finished with high-gloss, baked white enamel.

REFLECTOR: Material is Miro® enhanced specular aluminum with a total reflectivity of 95%.

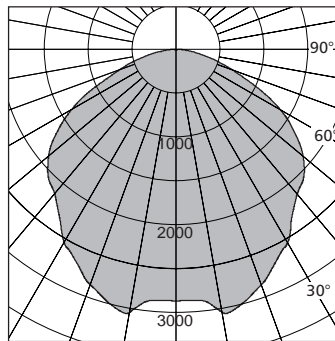
MOUNTING: The HSM series fixture is suitable for surface mounting, as well as for suspended mounting with stems, threaded rods, or chains.

LAMP HOLDERS: T8 lamps are secured with locking lampholders.

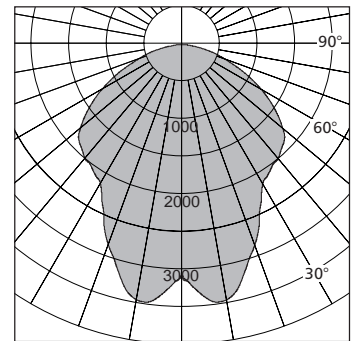
PHOTOMETRY



HSMS04XBGGNO43
 Test #11306
 Fixture Efficiency: 95.0%
 SC Across: 2.6, SC Along: 1.2



HSMS04XNNNNNO43
 Test #12176
 Fixture Efficiency: 89.5%
 SC Across: 1.2, SC Along: 1.3



HSMS04XTTNO43
 Test #12177
 Fixture Efficiency: 89.8%
 SC Across: 1.3, SC Along: 1.1

