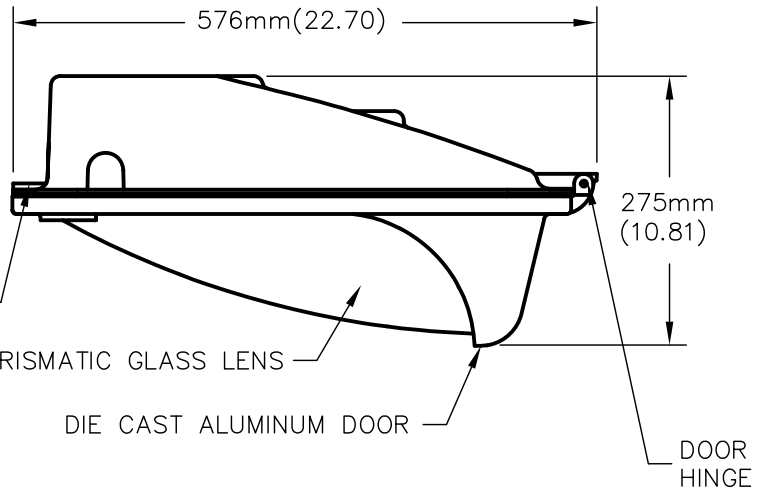
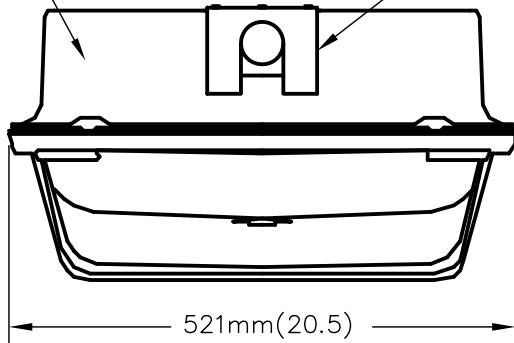


PANEL-VUE® SERIES LUMINAIRE

DIE CAST ALUMINUM HOUSING
CONTAINS: BALLAST, REFLECTOR
AND SOCKET ASSEMBLY

SD-156 RAIN SHIELD WITH ADJUSTABLE PIPE
CLAMP FOR DN32 (1.25) RIGID CONDUIT FOR
FIXTURE SUPPORT AND SUPPLY LEAD WIRE
ENTRY UNDERNEATH.



U.L. LISTED TO U.S. AND
CANADIAN SAFETY STANDARDS
1598 WET LOCATION
MAX. AMBIENT: 40°C
MAX. WEIGHT: 27kg (60lbs.)

CATALOG NUMBER

P A N L

SOURCE AND WATTAGE		VOLTAGE	MOUNTING	COLOR
100HP=100W HPS	10ICE=100W ICETRON	12=120V	T=TOP	B=BROWN
15AHP=150W HPS	15ICE=150W ICETRON	24=240V		
175PM=175W PM		34=347V		G=GRAY
175MH=175W MH *		48=480V		
250HP=250W HPS		MT=MULTITAP		
250MH=250W MH *		DT=DUAL TAP		
250PM=250W PM		NB=NON-BALLASTED		
320PM=320W PM		VT=MULTIVOLT		
350PM=350W PM				
400PM=400W PM				
400HP=400W HPS				
400MH=400W MH *				

* NOT AVAILABLE FOR SHIPMENT
IN THE US AFTER 12-31-08 DUE
TO EISA 2007 LEGISLATION.

OPTIONS: (FACTORY INSTALLED)

QD=QUICK DISCONNECT
QL=QUICK DISCONNECT WITH LATCH ASSEMBLY
L=LATCH ASSEMBLY

ACCESSORIES: (FIELD INSTALLED)

LAMP
3BOLT=BRACKET FOR 3 BOLT MOUNTING
4BOLT=BRACKET FOR 4 BOLT MOUNTING
BOLT6.5=BRACKET FOR 6.5 BOLT MOUNTING
WG-213=WIRE GUARD
DOORPROP=DOOR PROP
09181="T" MOUNTING ACCESSORY
F1=SINGLE FUSING
F2=DOUBLE FUSING



ORDER NO: _____
TYPE: _____

DRAWING NO. FM-1618
CAD MODEL: PANLT.DWG
DATE: 11/23/10
Sheet 1 of 1