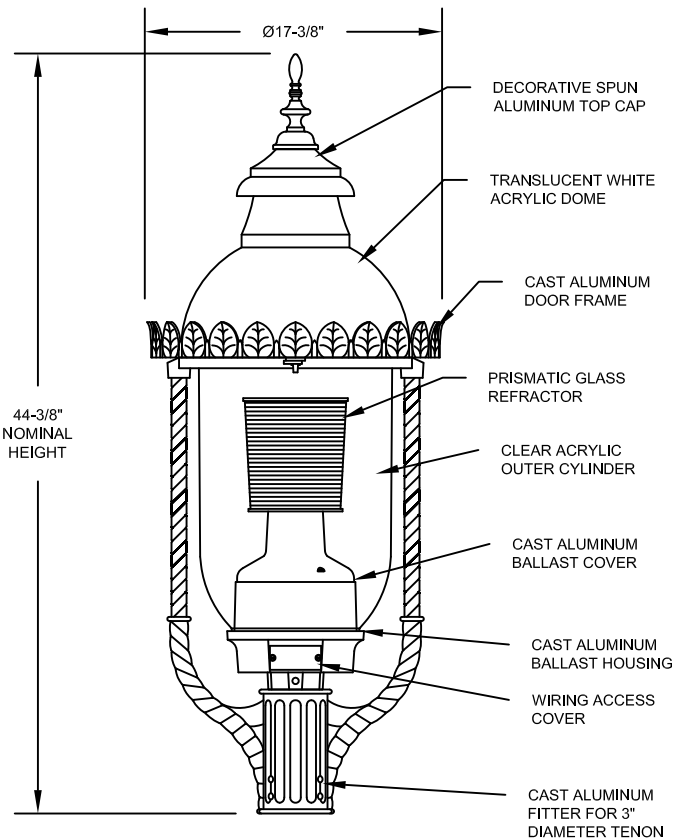




Victorian Style Gaslight
 Maximum weight - 30 lbs
 Maximum effective projected area - 2.1 sq. ft.



ORDERING INFORMATION

DH			
BALLAST TYPE (MOGUL BASE)	VOLTAGE	HOUSING FINISH COLOR	OPTICS
050HP = 50W HPS	12 = 120 VOLT	B = BLACK	A = ASYMMETRIC DISTRIBUTION
070HP = 70W HPS	20 = 208 VOLT	Z = BRONZE	M = SYMMETRIC DISTRIBUTION
100HP = 100W HPS	24 = 240 VOLT	N = DARK GREEN	R = SQUARE DISTRIBUTION
15AHP = 150W 55V HPS	27 = 277 VOLT	A = AS SPECIFIED	
150MH = 150W MH	34 = 347 VOLT		
*175MH = 175W MH	48 = 480 VOLT		
**175PM = 175W PM	MT = 120/208/240/277 VOLT MULTITAP (NOT AVAIL. FOR 35DHP)		
BALLAST TYPE (MEDIUM BASE)			
35DHP = 35W HPS (120V ONLY)			
50DHP = 50W HPS			
70DHP = 70W HPS			
10DHP = 100W HPS			
15DHP = 150W 55V HPS			
70DMH = 70W MH (NOT AVAIL. 480 VOLT)			
10DMH = 100W MH (NOT AVAIL. 480 VOLT)			
15DMH = 150W MH (NOT AVAIL. 480 VOLT)			
*17DMH = 175W MH			
20DIN = 200W INCANDESCENT			
	ACCESSORIES		
	P - PROTECTIVE STARTER, FOR HPS UNITS ONLY		
	ACCESSORIES		
	F1 - SINGLE FUSING FOR 120, 240, 277 VOLT, FIELD INSTALLED		
	F2 - DOUBLE FUSING FOR 208, 240 VOLT, FIELD INSTALLED		
	DTLPR12X - PHOTOCONTROL FOR 120 VOLT, LOCATED IN ACCESS COVER. FIELD INSTALLED.		
	DTLPR20/24/27X - PHOTOCONTROL FOR 208/240/277 VOLT, LOCATED IN ACCESS COVER. FIELD INSTALLED.		
	DTLPR34X - PHOTOCONTROL (NO DTL. PHOTOCCELL) FOR 347VOLT. LOCATED IN ACCESS COVER. FIELD INSTALLED.		

GENERAL DESCRIPTION

The luminaire is styled in the fashion of a turn of the century gaslight but with a prismatic glass optical assembly to precisely control the light from an efficient high intensity discharge lamp. The optical assembly is enclosed by a clear acrylic outer cylinder and translucent dome which is mounted in a hinged and latched frame. The ballast housing supports the optical assembly and clear cylinder and is, in turn, supported by the fitter assembly. Two rods attached to the fitter assembly support an upper ring to which the dome door frame is attached.

OPTICAL ASSEMBLY

The optical assembly is a precisely molded thermal resistant borosilicate glass refractor mechanically attached to the socket assembly. Three unique refractors are available to provide symmetrical, square, or asymmetrical distributions of light to maximize the utilization and provide uniform illumination.

TOP DOME ASSEMBLY

The translucent acrylic dome allows light to define the classic shape of this unit in the dark hours while emitting a soft upward glow to gently illuminate foliage and building facades, eliminating the cave effect created by solid topped luminaires. The hinged dome frame is cast of aluminum as a filigree ring to provide authentic styling and is secured by a cam latch which can be operated without tools by a gloved hand to provide easy access to the optical compartment. A gasket between the door frame and upper ring protects the optical assembly from dirt and moisture. A spun aluminum top cap, in the form of a vent, completes the authentic styling of this luminaire.

BALLAST HOUSING

Cast of aluminum, this housing contains the ballast and other electrical components and is attached to the fitter assembly by three set screws.

FITTER ASSEMBLY

The cast aluminum fitter assembly is designed to mount on a 3 inch OD tenon and is