



Catalog Number	
Notes	Type

Indoor General Purpose

# Cabinet Light

## Linkable - Xenon

18W, 12V Xenon



### FEATURES & SPECIFICATIONS

#### INTENDED USE

Provides task or accent illumination in residential and light commercial applications. Ideal for use under cabinets offering shadow-free lighting in kitchens and work areas, in bookcases, display cabinets or above cabinets setting a warm, inviting atmosphere in the kitchen.

#### ATTRIBUTES

Low profile design, with high/low/off rocker switch. Can be direct wired or powered by 5' cord-and-plug (Included). Connect multiple fixtures with 13" connector cord (Included).

Rugged post painted low profile steel housing, available in either white or bronze finish. White flat glass diffuser provides soft even illumination with slide in design for easy lamp access and cleaning.

Includes 18W, wedge-base 12V Xenon lamp(s) for bright white illumination and long life.

Standard with stepdown 12V transformer (120V, 60Hz).

Can be used with standard dimmable switches.

All mounting hardware included.

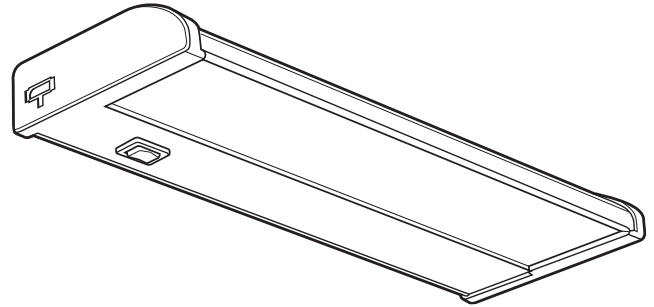
Available in resale packs of six only.

#### LISTING

CUL listed to US and Canadian safety standards.

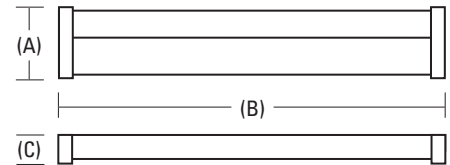
#### WARRANTY

Guaranteed for one year against mechanical defects in manufacture.



### DIMENSIONS

Length	Icon	Model	Lamp Count	Lamp Type	Depth	Height	Mounting Depth
9"		UCXD 1	(1)	18W Xenon	4-1/2" (11.4)	9-1/4" (23.5)	1-3/8" (3.5)
12"		UCXD 2	(2)	18W Xenon	4-1/2" (11.4)	12-1/8" (30.8)	1-3/8" (3.5)
18"		UCXD 3	(3)	18W Xenon	4-1/2" (11.4)	18-1/4" (46.4)	1-3/8" (3.5)
24"		UCXD 4	(4)	18W Xenon	4-1/2" (11.4)	24-1/4" (61.6)	1-3/8" (3.5)



\* Extension from ceiling

All dimensions are in inches (centimeters)

### ORDERING INFORMATION

Choose the boldface catalog nomenclature that best suits your needs and write it on the appropriate line. Order accessories and replacement parts as separate catalog numbers.

Example: **UCXD 1 120 CSW**

Model Number <sup>1,2</sup>	120 Transformer	CSW Cord & Plug	Finish
<b>UCXD 1</b> 9" - (1) 18W 12V Xenon lamp	<b>120</b> 120 volt stepdown 12V transformer	<b>CSW</b> Standard	(blank) White <b>BZ</b> Bronze
<b>UCXD 2</b> 12" - (2) 18W 12V Xenon lamps			
<b>UCXD 3</b> 18" - (3) 18W 12V Xenon lamps			
<b>UCXD 4</b> 24" - (4) 18W 12V Xenon lamps			

#### Accessories/Replacement parts<sup>3</sup>

<b>UCD JB R12</b>	Splice box - allows for quick and easy direct wiring
<b>UC ERC R12</b>	1-1/8" row connector for end-to-end connections
<b>UC ERC24 R12</b>	24" connector cord for longer length connections
<b>UCH WWC R12</b>	18" white cord cover to conceal cord
<b>UCX 2LP R12</b>	18W 12V wedge based Xenon replacement lamps (2-lamps per pack)

#### Notes:

- INCLUDES** - 18W wedge-base, 12 volt Xenon lamp(s).
- Maximum quantity of cabinet fixtures that can be connected from a single power source can not exceed 540 watts from the lamp wattage.
- Resale packs must be ordered in increments of 12.

# Cabinet Light Xenon Linkable

---

## PHOTOMETRICS

Full photometric data report available within 2 weeks from request. Consult factory.



**Consumer Products**

One Lithonia Way, Conyers, GA 30012

Phone: 800-748-5070 Fax: 770-860-3903

In Canada: 160 Avenue Labrosse, Point-Claire, P.Q., H9R 1A1

[www.lightahome.com](http://www.lightahome.com)