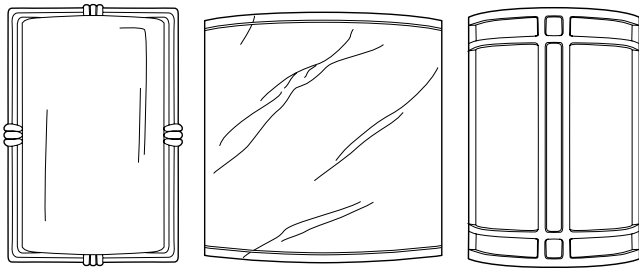


Installation Instructions

Half Round Wall Sconce Series

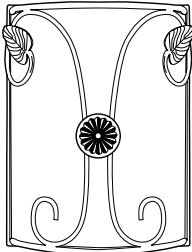
CAUTION: For your safety and proper operation of fixture, read instructions carefully before you start. Note and understand all safety information in bold print.



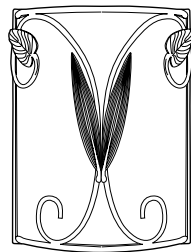
11950 & 11951

11953

11956



11960

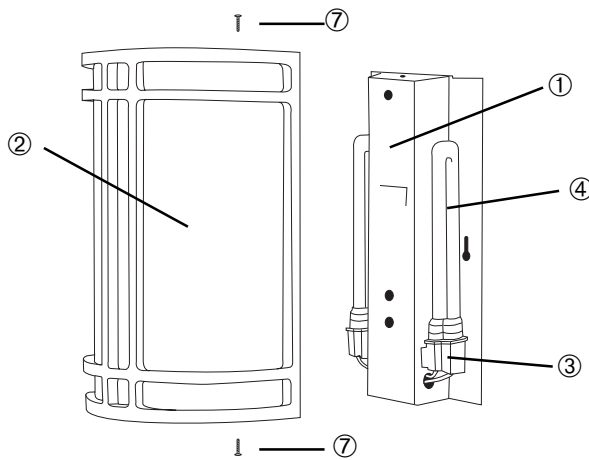


11959

Packing List

Description	Quantity
① Body	1
② Diffuser	1
③ Lampholder	2
④ Lamp (not provided)	2
Parts pack(s) contents:	
⑤ Foam Tape*	1
⑥ Wirenuts*	2
⑦ Diffuser screws	2
⑧ Cup washer*	1
⑨ Hex nut*	1
⑩ Threaded u-clip*	2

*not pictured



Tools Required for Installation

- Straight-blade screwdriver
- Pliers
- Phillips-head screwdriver

IMPORTANT SAFETY INFORMATION

For Your Protection, Read Carefully

1. **WARNING: RISK OF SHOCK.** House electric current can cause painful shock or serious injury unless handled properly. For your safety, always remember to:
 - Turn off the power supply at the fuse or circuit breaker box before you install the fixture.
 - Turn off the power supply again when you change lamps or perform other maintenance.
 - Ground the fixture to avoid potential electric shocks and to ensure reliable starting.
 - Double-check all connections to be sure they are tight and correct.
 - Wear rubber-soled shoes and work on a sturdy wooden ladder.
2. This fixture is designed for use in a circuit protected by a fuse or circuit breaker. It is also designed to be installed in accordance with local electrical codes. If you are unsure about your wiring, consult a qualified electrician or local electrical inspector, and check your local electrical code.
3. **WARNING: RISK OF CUTS.** Some metal parts in the fixture may have sharp edges. To prevent cuts and scrapes, wear gloves when handling the parts.
4. Account for small parts and destroy packing material, as these may be hazardous to children.
5. **WARNING: RISK OF FIRE.** Most dwellings built before 1985 have supply wire rated 60°C (140°F). If supply wires are located within three inches of ballast, wire must be suitable for at least 90°C (194°F). Consult a qualified electrician before installing.
6. Not for use on dimming circuits.

Installation Instructions

Half Round Wall Sconce Series

PREPARING THE FIXTURE FOR INSTALLATION

1. Place fixture body ① open side down.
2. Remove diffuser ② from fixture body.
3. Install by pushing threaded u-clips ⑩ into place on top and bottom flanges of body ① over 3/16" diameter holes with flat side of clips on top of fixture body. See Figure 1.

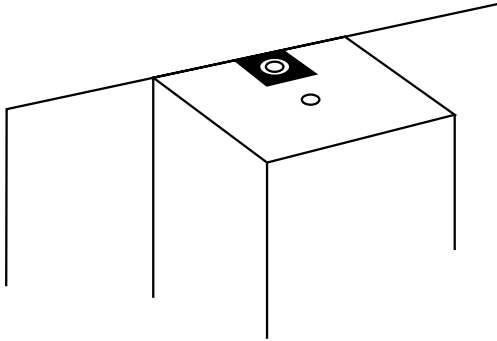


Figure 1

WIRING THE FIXTURE

WARNING:

Before wiring fixture to the power supply, turn off electricity at fuse or circuit breaker box. Fixture must be grounded to avoid potential shock and to ensure reliable lamp starting.

4. Pull house wires out of outlet box. Ground fixtures as follows:

If house wire has a green or bare copper wire, secure it firmly to ground screws in housing using cupped washer ⑧ and nut ⑨ supplied. See Figure 2.

If house wiring includes no ground wire, consult your local electrical code for approved methods.

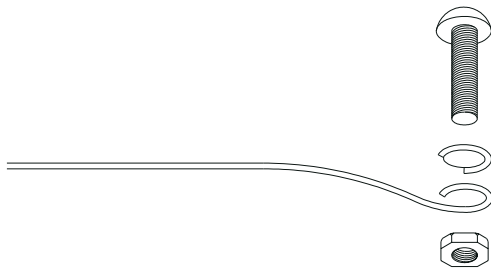


Figure 2

5. Using wirenuts ⑥ connect white outlet box wire to white wire lead. Connect black outlet box wire to black (or other color) ballast lead. See Figure 3. Test connection by pulling on each wire lead.

NOTE: If fixture is operated from a wall switch, be sure the black power supply wire is connected to the switch. Do not connect the white power supply wire to the switch.

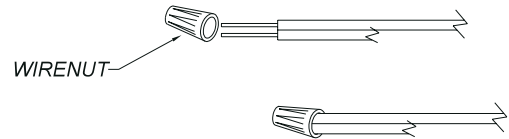


Figure 3

6. Remove the two small screws provided in outlet box. Position housing on wall over outlet box and secure it with screws.
7. Plug lamps ④ into lampholders ③. Use lamp description below to purchase.
8. Apply foam tape ⑤ to diffuser ② — Check model number for correct location.
Model 11950, 11951, 11959, 11960, 11907, 11962 — Apply around entire diffuser ②.
Model 11956 — Apply to back vertical edges of diffuser ② only.
9. Attach diffuser ② to housing using diffuser screws ⑦.
10. Restore power at fuse or circuit breaker box.

INSTALLING LAMPS AND LENS

11. Plug lamps into lampholders. Use CFT13W compact fluorescent lamps that can be purchased at most retail outlets.
12. Attach diffuser to housing by aligning holes in diffuser with screws in housing. Use diffuser screws to secure.
13. Installation is now complete. Electric power can be turned on and fixture illuminated.

For best results, wash plastic parts with soap or mild detergent. Rinse with clear water and allow to air dry.