

# Installation Instructions Tri-Band Sconce

**CAUTION:** For your safety and proper operation of fixture, read instructions carefully before you start. Note and understand all safety information in bold print.

## IMPORTANT SAFETY INFORMATION For Your Protection, Read Carefully

1. **WARNING: RISK OF SHOCK.** House electric current can cause painful shock or serious injury unless handled properly. For your safety, always remember to:
  - Turn off the power supply at the fuse or circuit breaker box before you install the fixture.
  - Turn off the power supply again when you change lamps or perform other maintenance.
  - Ground the fixture to avoid potential electric shocks and to ensure reliable starting.
  - Double-check all connections to be sure they are tight and correct.
  - Wear rubber-soled shoes and work on a sturdy wooden ladder.
2. This fixture is designed for use in a circuit protected by a fuse or circuit breaker. It is also designed to be installed in accordance with local electrical codes. If you are unsure about your wiring, consult a qualified electrician or local electrical inspector, and check your local electrical code.
3. **WARNING: RISK OF CUTS.** Some metal parts in the fixture may have sharp edges. To prevent cuts and scrapes, wear gloves when handling the parts.
4. Account for small parts and destroy packing material, as these may be hazardous to children.
5. **WARNING: RISK OF FIRE.** Most dwellings built before 1985 have supply wire rated 60°C (140°F). If supply wires are located within three inches of ballast, wire must be suitable for at least 90°C (194°F). Consult a qualified electrician before installing.
6. Not for use on dimming circuits.

### Tools Required for Installation

- Screwdriver
- Pliers

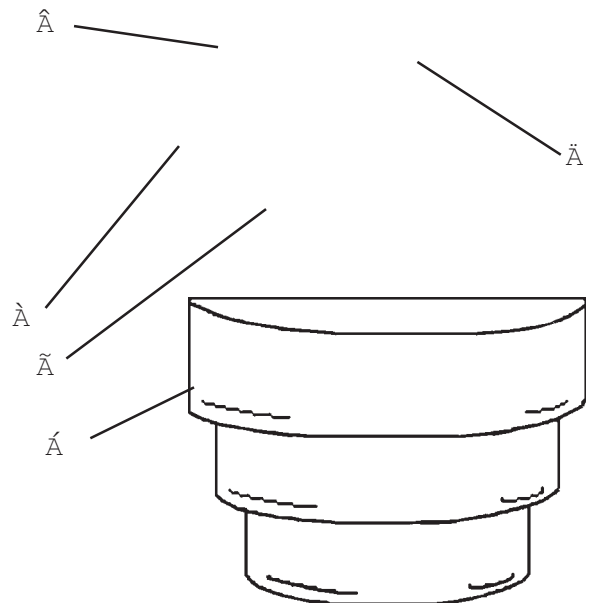
### Packing List

#### Description

- À Body
- Á Diffuser
- Â Lamps (not provided)
- Ã Ballast
- Ä Lamp holders

#### Parts pack(s) contents:

- Cup washer & hex nut\*
- Stem\*
- Locknut\*
- Bracket grounding bar\*
- Wirenuts\*
- Hex nuts\*



# Installation Instructions

## Tri-Band Sconce

---

### PREPARING FIXTURE FOR INSTALLATION

1. Remove fixture from carton and set diffuser aside.

---

#### WARNING:

**Before wiring fixture to the power supply, turn off electricity at fuse or circuit breaker box. Fixture must be grounded to avoid potential shock and to ensure reliable lamp starting.**

---

2. Pull house wires out of outlet box. Ground fixture as follows:

If house wire has a green or bare copper wire, secure it firmly to ground screw on Bracket Grounding Bar.

If house wiring includes no ground wire, consult your local electrical code for approved methods.

3. Using wirenuts, connect white outlet box wire to white wire lead. Connect black outlet box wire to black (or other color) ballast lead. **See Figure 1.** Test connection by pulling on each wire lead.

**NOTE: If fixture is operated from a wall switch, make certain the black power supply is connected to the switch. Do not connect the white supply wire to the switch.**

4. To install bracket grounding bar and housing:
  - a. Remove the two small screws provided in the outlet box. Mount bracket grounding bar using the outlet box screws. Screw in stem into center of bracket.
  - b. Align hole in housing over top of stem and attach with locknut.

### INSTALLING LAMPS AND LENS

5. Plug lamps into lampholders. Use CFT13W compact fluorescent lamps that can be purchased at most retail outlets.
6. Attach diffuser to housing by placing diffuser over channel body. Align mounting screws on channel body with holes on diffuser. Secure with hex nuts.
7. Installation is now complete. Electric power can be turned on and fixture illuminated.

*For best results, wash parts with soap or mild detergent. Rinse with clear water and allow to air dry.*

**Figure 1**